

Catalog Number
Notes
Type

## FEATURES & SPECIFICATIONS

### INTENDED USE

The OLB LED Bullet Floodlight is a long-lasting energy-efficient landscape flood light. Available with spot or flood optics making it ideal for many commercial and residential outdoor applications such lighting of landscapes, building details and flag poles.

### CONSTRUCTION

Die-cast aluminum housing has integral heat sink fins to optimize thermal management through conductive and convective cooling. The LED driver is mounted in the lower housing promoting a low operating temperature and long life. Housing is sealed against moisture and environmental contaminants (IP65).

Finish: Exterior parts are protected by a thermoset powder coat finish that provides superior resistance to corrosion and weathering. A tightly controlled multi-stage process ensures a minimum 3 mils thickness for a finish that can withstand extreme climate changes without cracking or peeling.

### OPTICS

Optics are engineered for superior field-to-beam ratios, uniformity and spacing. Available with 5H x 4V flood optics for illuminating larger objects or 2H x 2V spot optics for illuminating targets up to 50 feet away. Light engines are available in 3000K (80 CRI min.) or 5000K (66 CRI min.) configurations.

### ELECTRICAL

MVOLT driver operates on any line voltage from 120-277V (50/60 Hz).

Light engine consists of four (4) discrete LEDs directly mounted directly to the heat sink to maximize heat dissipation and promote long life (100,000 hrs at 40°C, L82).

Driver is thermally isolated in base to promote long-life.

Operating temperature -30°C to 40°C.

### INSTALLATION

Integral adjustable knuckle with 1/2-14 NPS threaded pipe facilitates quick and easy installation in a variety of mounting methods.

### LISTINGS

UL Listed to U.S. and Canadian safety standards for wet locations within four feet of the ground.

Tested in accordance with IESNA LM-79 and LM-80 standards.

### WARRANTY

5-year limited warranty. Complete warranty terms located at

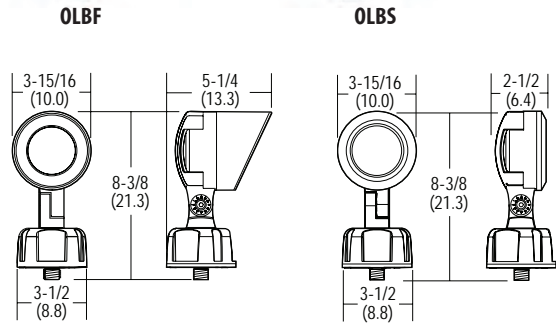
[www.acuitybrands.com/CustomerResources/Terms\\_and\\_conditions.aspx](http://www.acuitybrands.com/CustomerResources/Terms_and_conditions.aspx)

Actual performance may differ as a result of end-user environment and application.

Note: Specifications subject to change without notice.

# OLB

## LED Bullet Flood Light



All dimensions are inches (centimeters) unless otherwise indicated.

### ORDERING INFORMATION

For shortest lead times, configure product using **bolded options**.

**Example: OLBF 8 30K DDB**

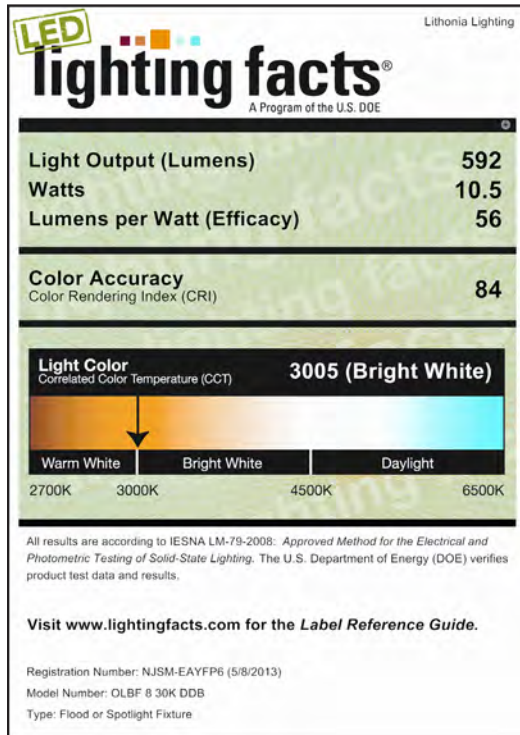
Series	Light engine	Color temperature (CCT)	Voltage	Finish
<b>OLBF</b>	5x4 flood optics	<b>8</b>	<b>30K</b> 3000K	<b>DDB</b>
<b>OLBS</b>	2x2 spot optics	<b>50K</b> 5000K	<b>(blank)</b> MVOLT	<b>DDB</b> Dark bronze

# OLB LED Bullet Flood Light

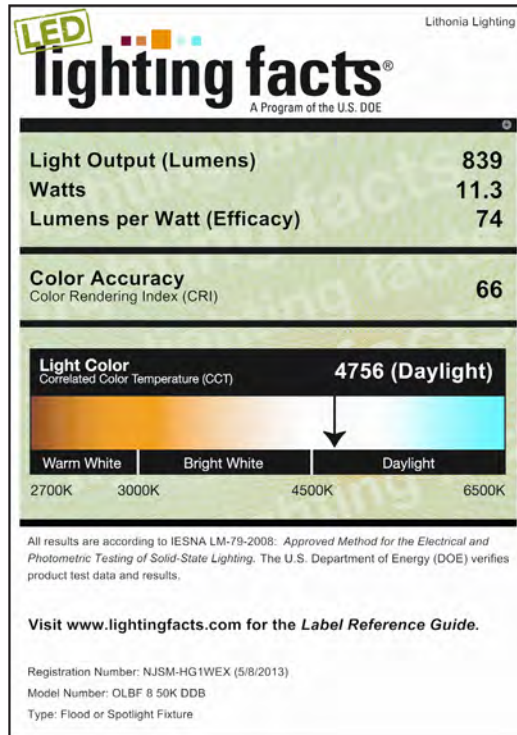
## LIGHTING FACTS

To see complete photometric reports or download .ies files for this product, visit [www.lithonialighting.com](http://www.lithonialighting.com). Actual wattage may differ by +/- 8% when operating at 120V or 277V +/- 10%.

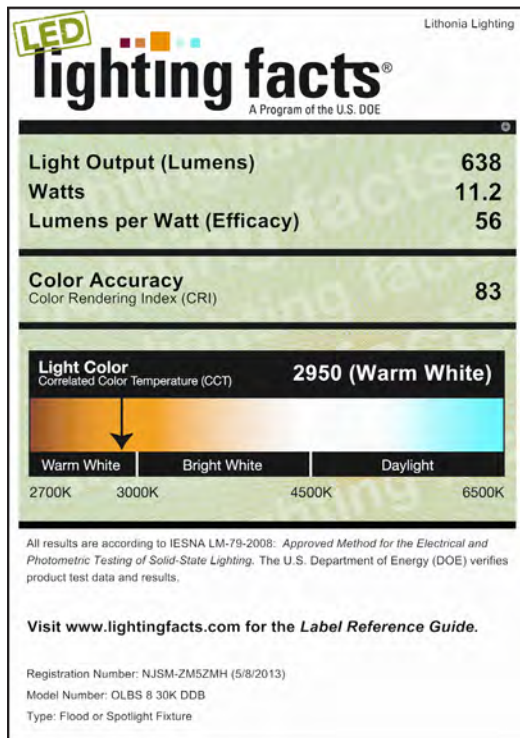
### OLBF 8 30K DDB



### OLBF 8 50K DDB



### OLBS 8 30K DDB



### OLBS 8 50K DDB

