

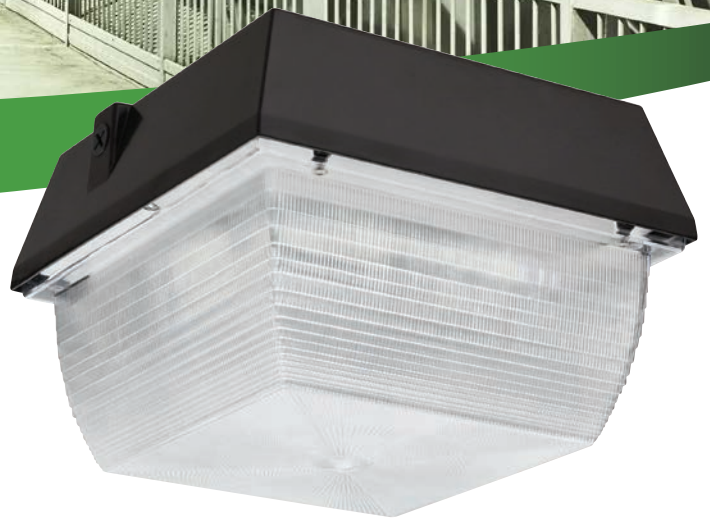


## Value and versatility defined

Our new “traditional-style” LED luminaires offer the shapes you’ve grown accustomed to coupled with the high-powered, energy-efficient LEDs you want.

This fixture was designed to fit seamlessly — eliminating unwanted markings from the removal of older fixtures.

**Replace one or replace them all, either case, with energy-savings of up to 86%, Lithonia has you covered!**



VRC LED replaces up to **250W MH**



# Value and versatility defined

www.lithonia.com

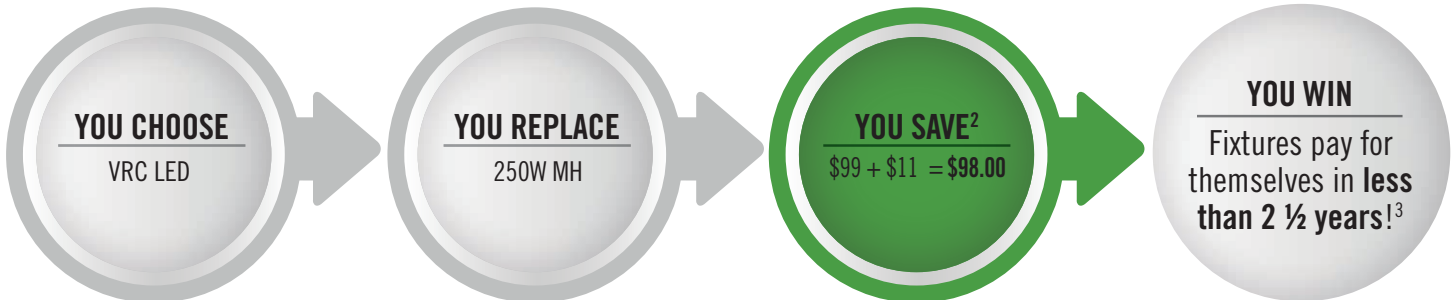
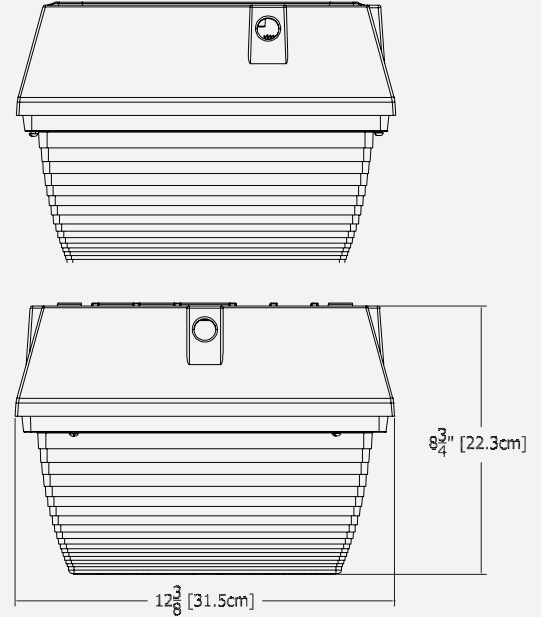


Mounts to a recessed junction box or via conduit entry on 3 sides.

- Impact resistant polycarbonate lens provides an even light distribution and protects electronics
- 100,000 hour LED life<sup>1</sup>
- Light distribution is designed to match your existing canopy light so spacing remains constant
- Highly efficient LEDs provide **84 lumens per watt**

<sup>1</sup> LED lifespan based on IESNA LM-80-08 results and calculated per IESNA TM-21-11 methodology.

## Product Dimensions



<sup>2</sup> Annual Energy + Annual Lamp Replacement Cost = Total Annual Savings

<sup>3</sup> Based on 12 hours operation per day and energy costs of \$.11 per kWh

### ORDERING INFORMATION

Lead times will vary depending on options selected. Consult with your sales representative.

Example: VRC LED 1 50K MVOLT

Series		Performance Package	Color Temperature	Voltage	Finish
VRC LED	LED Wall Pack	1 3389 lumens	50K 5000K <sup>4</sup>	MVOLT <sup>5</sup>	(blank) Dark Bronze



#### Notes

- Correlated Color Temperature (CCT) shown is nominal per ANSI C78,377-2008.
- MVOLT driver operates on any line voltage from 120-277V (50/60 Hz)