



## IMPORTANT SAFETY INSTRUCTIONS

### WARNING

Risk of fire or electric shock. LED retrofit installation requires knowledge of luminaires systems. If not qualified, do not attempt installation. Contact a qualified electrician.

### WARNING

To prevent wiring damage or abrasion, do not expose wiring to edges of sheet metal or other sharp objects

### WARNING

Risk of personal injury. This equipment may have sharp edges. Wear gloves to prevent cuts or abrasions when removing from carton, handling and maintaining this equipment.

### WARNING

Do not make or alter any open holes in an enclosure of wiring or electrical components during fixture installation.

### WARNING

Risk of fire or electric shock. Installation of this fixture assembly requires a person familiar with the construction and operation of the luminaire's electrical system and the hazard involved. If not qualified, do not attempt installation. Contact a qualified electrician.

\*Deco Digital assumes no responsibility for claims arising out of improper or careless handling or installation of this product.

### Electrical Connection

1. Connect BLACK (line) driver lead to voltage supply Line position (HOT).
2. Connect driver WHITE lead to the NEUTRAL supply position.
3. Connect the GREEN ground lead to the supply ground lead.

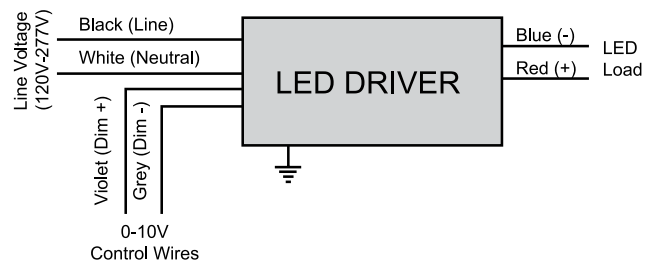
#### If using 0-10V dimming:

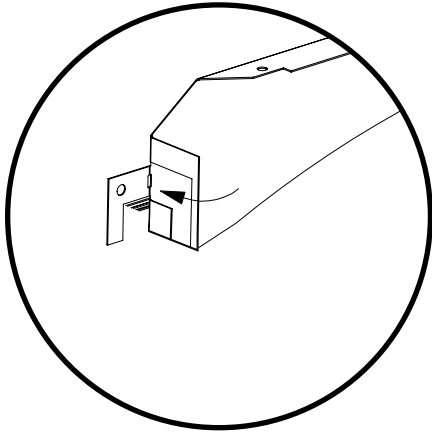
4. Connect VIOLET lead to supply POSITIVE dimming lead.
5. Connect GREY lead to the supply NEGATIVE dimming lead.

#### If NOT using 0-10V dimming:

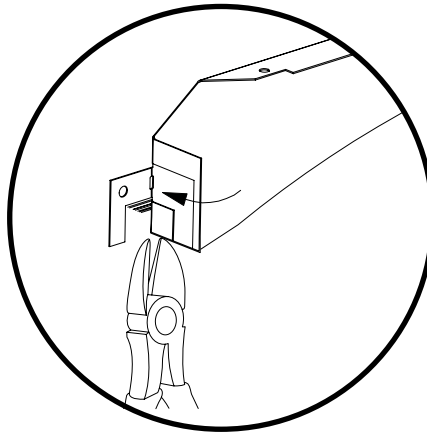
6. Ensure VIOLET and GREY 0-10V dimming leads are properly capped.

### Wiring Diagram

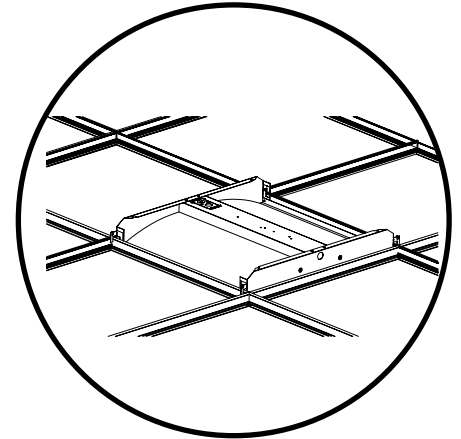




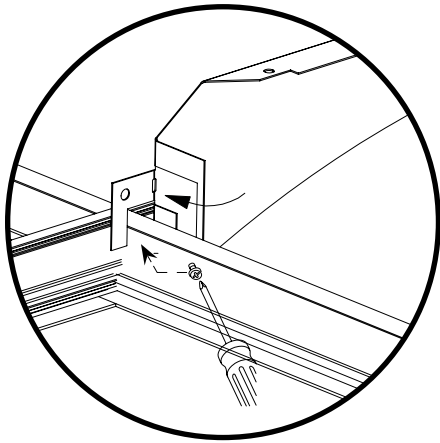
1. Bend out mounting tab 90 degrees on each corner.



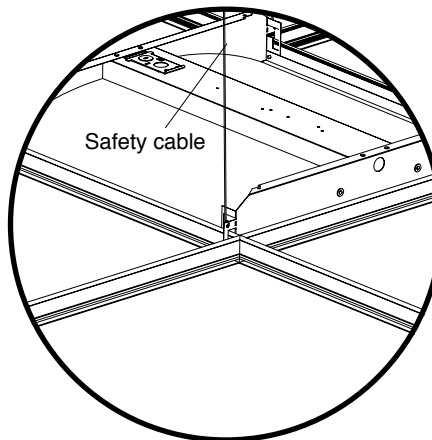
2. Use side cutters to adjust each tab to height of T-grid.



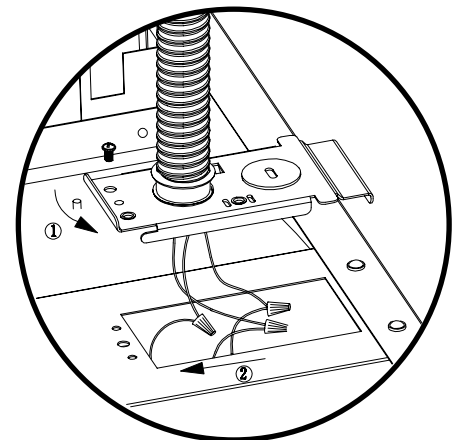
3. Lay fixture into T-grid grid.



4. Bend tabs flush against T-grid in order to clear corner for ceiling tile.



5. Use a #8x1/4" sheet metal screw to fasten fixture to T-grid and use a hanger wire to tie off appropriately in accordance with local building codes (screws and hanger wires supplied by others).



6. Ensure that the wiring of the last fixture in the row is properly terminated. Then make all electrical connections to the fixture. Attach the wiring access cover plate.