

## FEATURES & SPECIFICATIONS

**INTENDED USE** — Inspired by classic fluorescent strip channels, this LED fixture offers a traditional appearance that incorporates the latest technology. Available in several color temperatures, lumen packages and lengths. Ideal for use in commercial, retail, office, warehouse and display applications.

**CONSTRUCTION** — Compact-design channel and cover are formed from code-gauge cold-rolled steel. Easy to install row aligner bracket included for continuous row mounting.

Finish: High-gloss, baked white enamel (standard).

**OPTICS** — LEDs provide 80+ color rendering index (CRI) at 3500 K, 4000 K and 5000 K. Diffuse polycarbonate lens provides smooth, linear illumination which is designed to resemble the classic look of traditional fluorescent lamps.

Lumen output up to 1,000 lumens per foot for the 4' and 8' models. Lumen output delivers 2,200 per foot for the 2' model. Luminaire should be installed in applications where ambient temperatures do not exceed maximum ambient operating temperature of 95°F (35°C).

**ELECTRICAL** — This fixture is tested to withstand a maximum line surge of 2.5kV/.2kA ring wave for indoor locations. Also tested to withstand a maximum line surge of 2kV/1kA combination wave for indoor locations. For applications requiring higher level of protection additional surge protection must be provided.

**INSTALLATION** — Fixture may be surface or suspension mounted with appropriate mounting options (see accessories). Aligner locks in place for easy continuous row mounting.

**LISTINGS** — CSA certified to US and Canadian safety standards and listed suitable for damp locations. Minimum starting temperature at -40°F (-40°C). Maximum ambient operating temperature of 95°F (35°C).

DesignLights Consortium® (DLC) qualified product. Not all versions of this product may be DLC qualified.

**WARRANTY** — 5-year limited warranty.

**Note:** Actual performance may differ as a result of end-user environment and application.

All values are design or typical values, measured under laboratory conditions at 25°C.

Specifications subject to change without notice.



LED Striplight

CDS



### ORDERING INFORMATION

Lead times will vary depending on options selected. Consult with your sales representative.

**Example:** CDS L48 MVOLT DM 40K 80CRI WH

Series	Length	Voltage	Driver	Color temperature	Color rendering index	Options	Finish
CDS LED striplight	L24 24"	MVOLT 120-277V	DM	35K 3500 K	80CRI 80 CRI	(blank) None	WH White
	L48 48"	347 347V		40K 4000 K	90CRI 90 CRI	PLR1LVG Plug-in wiring low voltage	
	L96 96"			50K 5000 K			

Accessories: Order as separate catalog number.	
HC36	Chain hanger and jack chain, 36" (pair)
ZACVH	Aircraft cable 10' (one pair)
SQ	Swivel-stem hanger (specify length in 2" increments)

# CDS LED Striplight

## OPERATIONAL DATA

CDS L24 MVOLT (80CRI)			
	Lumens	Wattage	LPW
35K	2,119	21	100
40K	2,177		104
50K	2,274		108

CDS L48 MVOLT (80CRI)			
	Lumens	Wattage	LPW
35K	4,146	38	109
40K	4,211		111
50K	4,366		115

CDS L96 MVOLT (80CRI)			
	Lumens	Wattage	LPW
35K	8,872	77	115
40K	9,010		117
50K	9,342		121

**WEIGHT:** (may vary with options or accessories)

L24: 2.6 lbs (1.189 kgs)

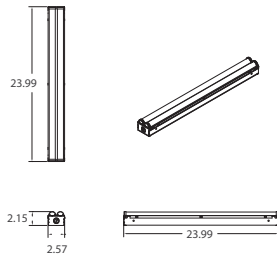
L48: 5 lbs (2.267 kgs)

L96: 10 lbs (4.535 kgs)

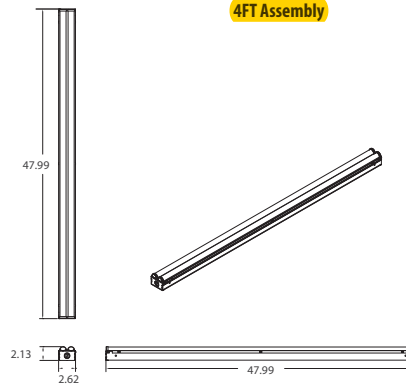
## DIMENSIONS

All dimensions are shown in inches (centimeters) unless otherwise noted.

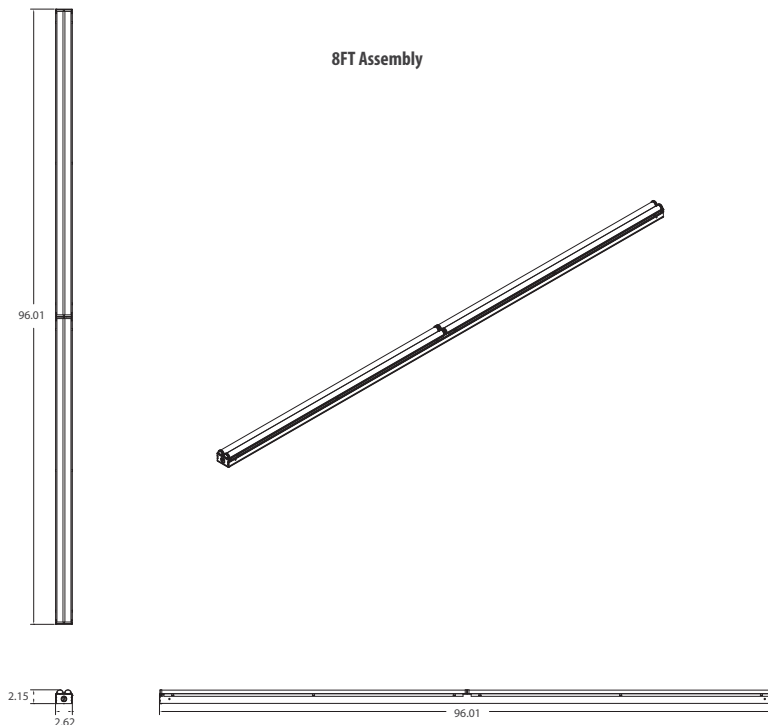
2FT Assembly



4FT Assembly



8FT Assembly



## PHOTOMETRICS