

LED DIMMABLE PANEL

INSTALL INSTRUCTIONS

WARNING

PLEASE FIND A QUALIFIED ELECTRICIAN FOR INSTALLATION. Please read the instructions before you install and use the luminaire.

WARNING - Risk of fire or electric shock. Installation requires knowledge of luminaires electrical systems. If not qualified, do not attempt installation. Contact a qualified electrician.

WARNING - Risk of fire or electric shock. Install this panel only in construction features and dimensions shown in the photographs and/or drawings and where the input rating of the retrofit kit does not exceed the input rating of the luminaire

Do not make or alter any open holes in an enclosure of wiring or electrical components during kit installation

WARNING - To prevent wiring damage or abrasion, do not expose wiring to edges of sheet metal or other sharp objects

Risk of Electric Shock: Disconnect power or circuit breaker before installing or servicing.

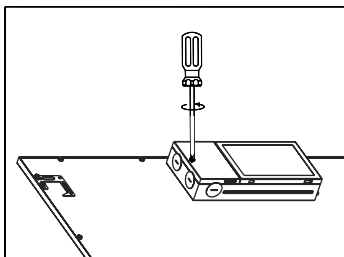
Type IC

Vapor barrier must be suitable for 90°C. Min 90°C supply conductors

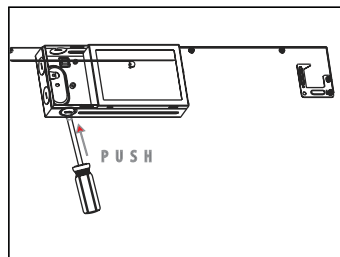
Suitable above ceiling required.

Suitable for damp locations

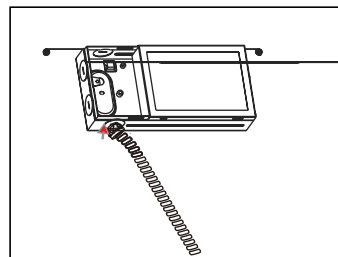
INSTALLATION - RECESSED



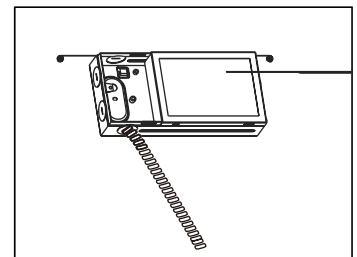
1. Open the cover of the Junction Box.



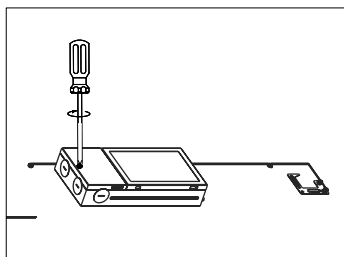
2. Choose the hole of the Junction box cover to open it.



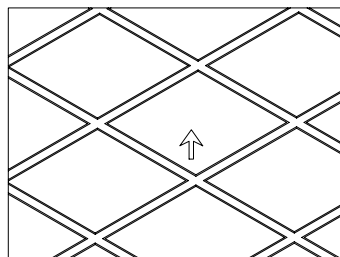
3. Connect the power wire into the driver wire.



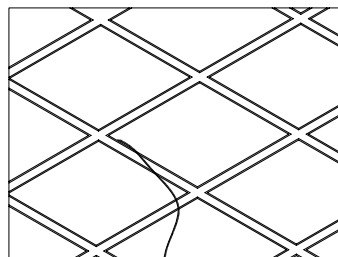
4. Use line pressing board clamp the power cord. Then , tight the screw.



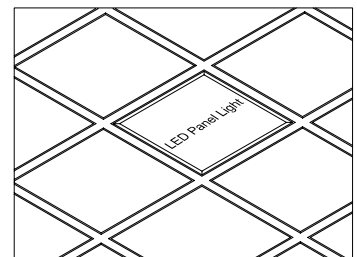
5. Fix the cover of the Junction Box, then tighten the screw.



6. Remove the ceiling plate, then arrange the wire.



7. Put LED panel light on the ceiling screens.

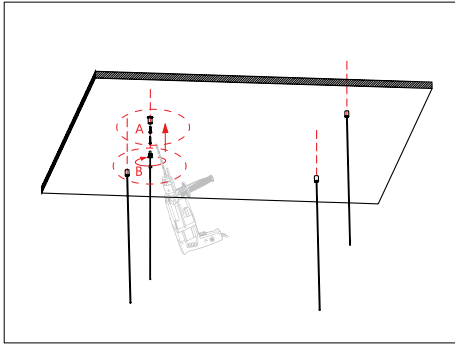


8. Check LED panel is mounted properly and securely.

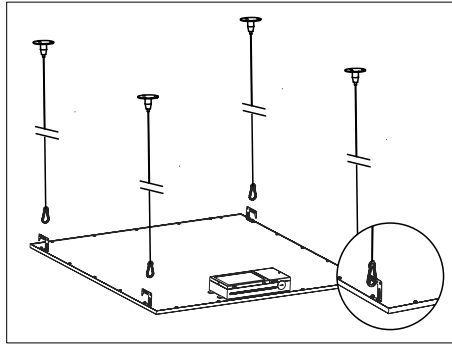
LED DIMMABLE PANEL

INSTALL INSTRUCTIONS

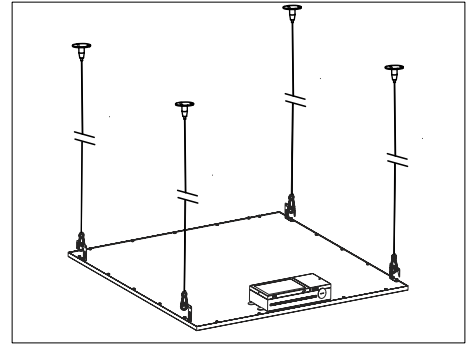
INSTALLATION - SUSPENSION



1 - A: Screw the ceiling upper base out using the screws with an anchor to affix them to the ceiling.
1 - B: Screw the rope and ceiling hanging lower base into the ceiling hanging upper base which has been fixed.

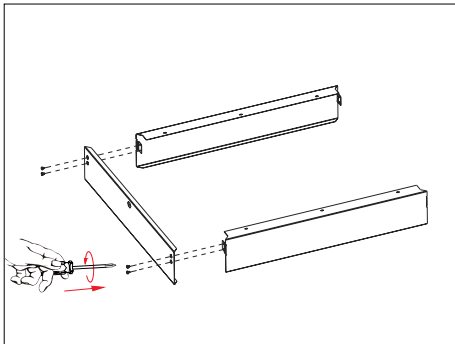


2. Hang the panel by the 4 suspended ropes.

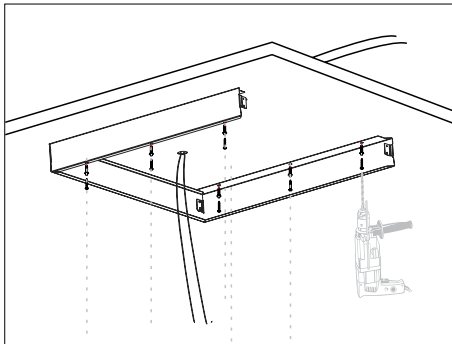


3. Installation complete.

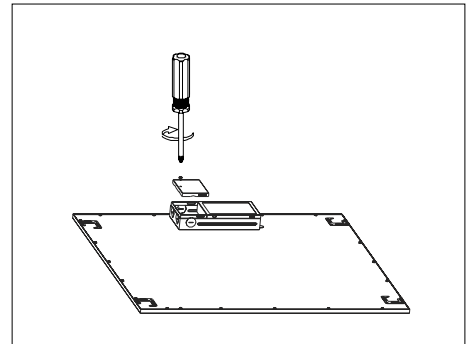
INSTALLATION - SURFACE MOUNT



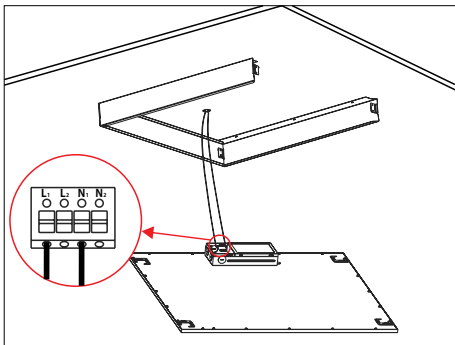
1. Assemble three sides of frame together.



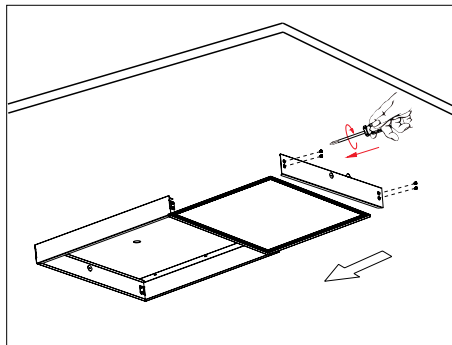
2. (A) Put the driver up on the ceiling and leave its DC wire out of ceiling. (B) Connect driver with AC power and mount the assembled frame onto the ceiling with screws.



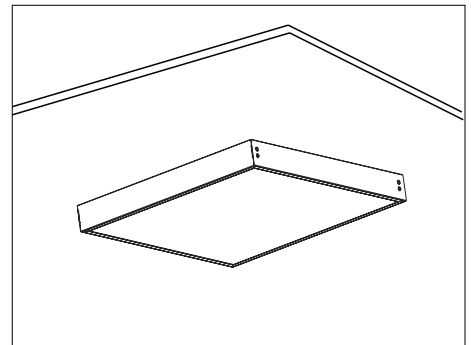
3. Loosen the screw with a screwdriver and remove the wiring board of driver.



4. Connect the panel to the driver with quick connector.



5. Slide the panel into the frame. Close the frame with the last side piece using the screws.



6. Installation complete.