

# LED EMERGENCY DRIVER

## 5W & 12W

<b>Emergency LED Driver Type</b>	Adjustable Output (Constant Power)
<b>Input Voltage</b>	120-277VAC Nominal, 50/60Hz
<b>Emergency Operation</b>	90 Minutes
<b>Battery</b>	High Temp Nickel-Cadmium Maintenance-Free 9.6VDC, 8 Cell
<b>Protections</b>	Over Voltage Protection Over Current Protection Short Circuit Protection
<b>Recharge Time</b>	24 Hours

The LED Emergency Driver from Hatch is a UL Classified for **field or factory installation**. The Emergency driver allows an LED fixture to be used for normal and emergency operation when used in conjunction with a switched or unswitched AC LED Driver. The Emergency Driver can ALSO be used in an emergency only fixture which would not require an AC LED Driver to operate. In the event of a power failure, the LED emergency Driver switches to emergency mode and operates the fixture for a minimum of 90 minutes.



Max Watts	Input Voltage	Output Voltage	Hatch Part Number
5W	120 - 277 VAC	12 - 39 VDC	ELP05-UNV-K
<b>12W</b>	<b>120 - 277 VAC</b>	<b>12 - 39 VDC</b>	<b>ELP12-UNV-K</b>

ENVIRONMENTAL SPECIFICATIONS	WARRANTY:	APPLICATIONS:
<ul style="list-style-type: none"> <li>- Operating Temperature: 0 to 55°C</li> <li>- Storage Temperature: -20 to 55°C</li> <li>- Humidity: 5% to 95%</li> <li>- Maximum Case Temperature: 90°C</li> </ul>	<p>5 years</p>	<ul style="list-style-type: none"> <li>- Existing or New Fixtures</li> <li>- Emergency Lighting</li> <li>- Emergency Only fixtures</li> <li>- In conjunction with AC input - constant current or constant voltage Class 2 LED Driver</li> </ul>
FEATURES:	CERTIFICATIONS:	
<ul style="list-style-type: none"> <li>- Long Life High Temperature Recyclable Ni-Cad Battery</li> <li>- Class 2 Output</li> <li>- <b>Includes Test Switch and Charge Indicator Accessory Kit</b></li> <li>- For Use With Switched or Unswitched Fixtures</li> <li>- Meets or Exceeds All National Electrical Code and Life Safety Code Emergency Lighting Requirements</li> <li>- Suitable for dry or damp locations</li> <li>- For use with surface mounts or recessed type IC or Non IC products listed to UL Standards</li> <li>- UL Classified for field or factory installation with fixtures that meet the requirements in the installation guide</li> <li>- Includes installation guide and luminaire modification label</li> </ul>	<div style="display: flex; align-items: center;"> <div style="margin-right: 20px;">  </div> <div style="margin-right: 20px;">  </div> <div style="margin-right: 20px;">  </div> <div> <ul style="list-style-type: none"> <li>- UL 924</li> <li>- FCC, 47CFR Part 15 (ANSI C63.4:2009 Class B)</li> <li>- EN61000-3-2 (Harmonic Current Emissions Class C)</li> </ul> </div> </div>	

# HATCH™ LED DRIVERS

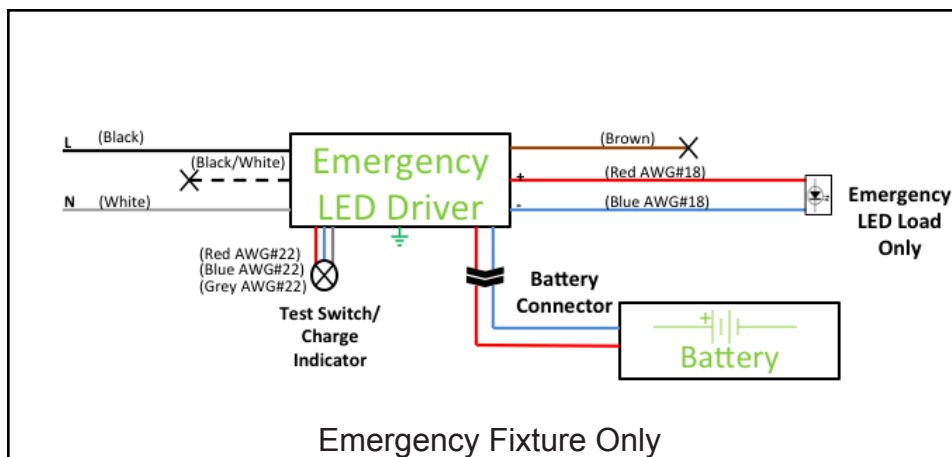
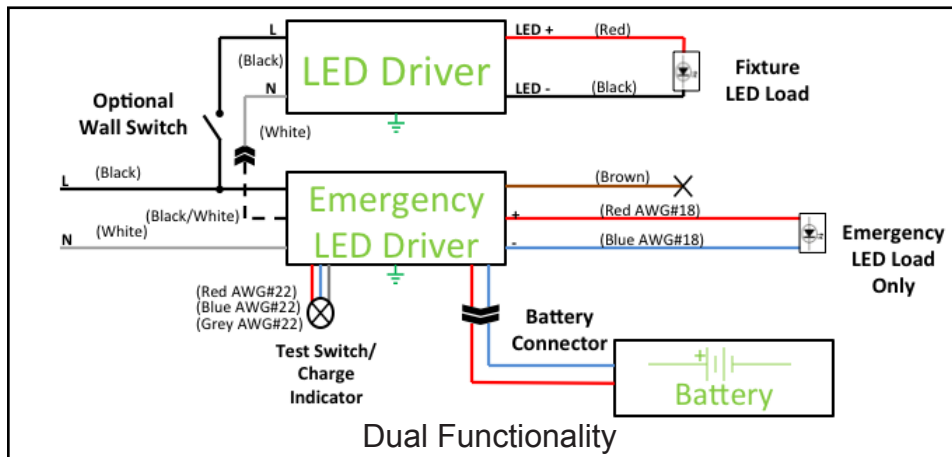
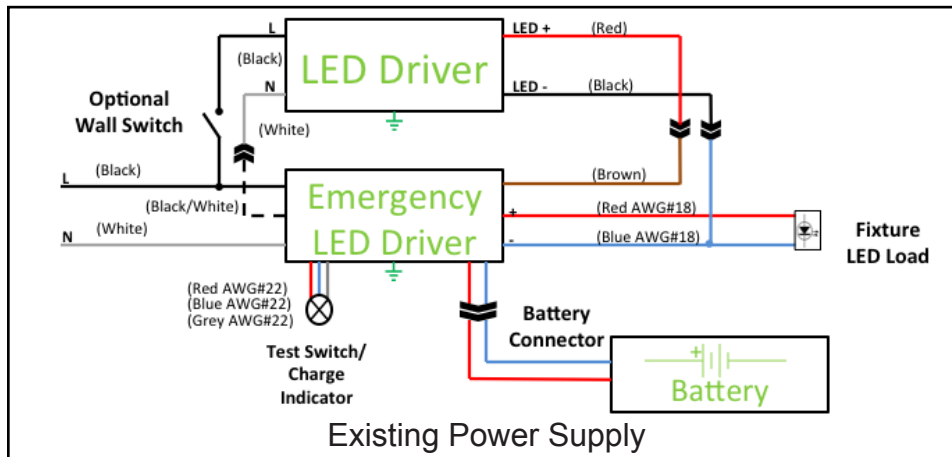
## WIRING INFORMATION

Input:	12", Black (L), White (N) #18AWG
Output:	24", Red (+), Blue (-) #18AWG 24", Brown #20AWG
Battery Connection	24", Red, Black #18AWG
Test Switch Connections	24", Red, Blue, Grey #22AWG

## PACKAGING INFORMATION

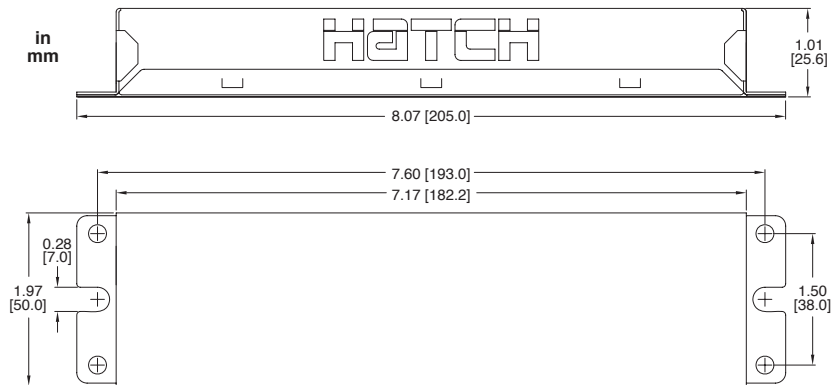
<b>ELP05-UNV-K</b>	Weight:	2.01 lbs
	Quantity:	15pc/carton
<b>ELP12-UNV-K</b>	Weight:	2.76 lbs
	Quantity:	15pc/carton

## WIRING DIAGRAMS



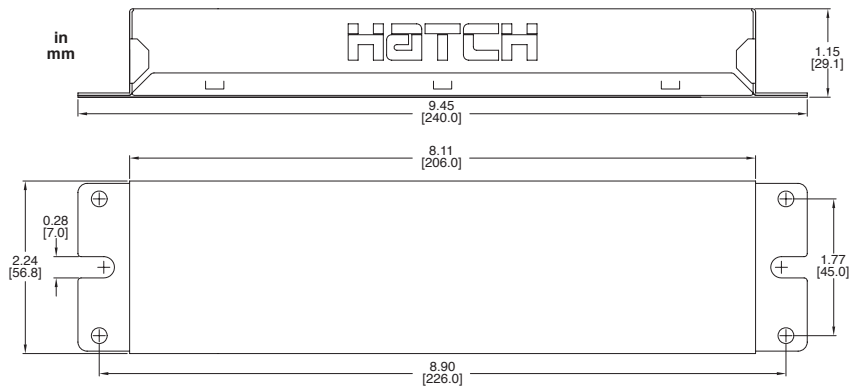
### PHYSICAL DIMENSIONS (5W BATTERY)

Length:	8.07" (205mm)
Width:	1.97" (50mm)
Height:	1.01" (26mm)
Mounting:	7.60" (193mm)



### PHYSICAL DIMENSIONS (12W BATTERY)

Length:	9.45" (240mm)
Width:	2.24" (57mm)
Height:	1.15" (29mm)
Mounting:	8.90" (226mm)



### PHYSICAL DIMENSIONS (EMERGENCY LED DRIVER)

Length:	6.46" (164mm)
Width:	1.37" (35mm)
Height:	1.00" (25mm)
Mounting:	5.99" (152mm)

