

# LED Canopy Light Ultra-thin Series

## Features

- Sealed die-casting profile for indoor and outdoor applications
- Replacing 100-175W MH
- Lumen output from 3300lm-6300lm
- Polycarbonate optical lens with heat resisting
- Three 1/2" threaded conduit and one 3/4" conduit entry points
- Multiple voltage input is available, support 120-277V .
- Low profile design
- UL/cUL listed for wet locations



## Applications

- Parking structures, storage areas, shopping area walkways, entryway, and low level security

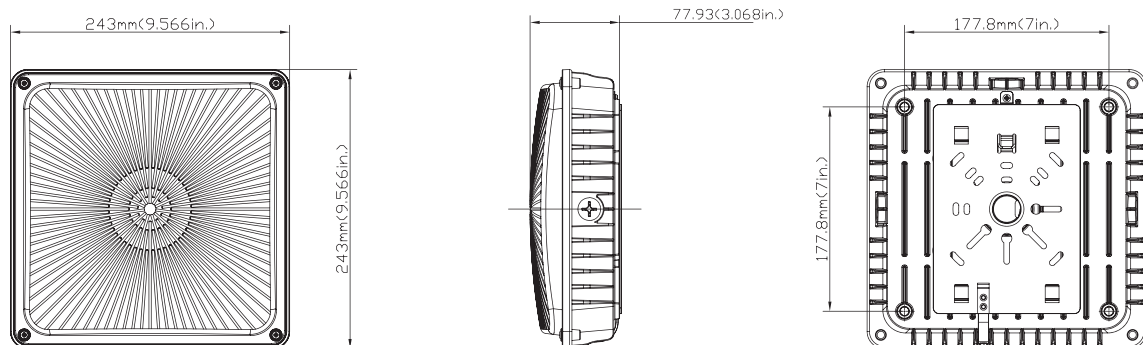


# Specification

Model	CP45W27V50KD	CP70W27V50KD
Input Power	45W	70W
Lumens output	4050lm	5900lm
Efficacy	90 lm/W	84 lm/W
CRI	80	70
Color Temperature	5000K	
Input Voltage	120-277VAC	
Dimmable	Non-Dimmable	
Finish Color	Dark Bronze	
Lens	Transparent Polycarbonate (UL Recognized) (f1) Suitable for outdoor use with respect to exposure to Ultraviolet Light, Water Exposure and Immersion in accordance with UL 746C	
Mounting	Pendant mounting, Direct surface mounting, and Junction Box mounting	
Life Hours	50,000 hours	
IP Rating	IP-65	

## Dimensions

unit: mm/inch



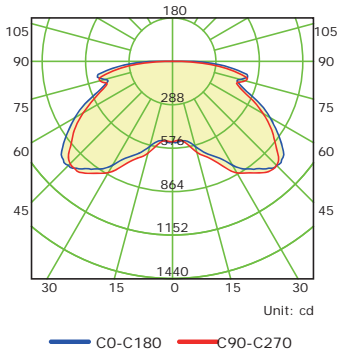
## Energy Saving Replacement

MODEL	Replacing
CP45W27V50KD	100WMH
CP70W27V50KD	175W MH

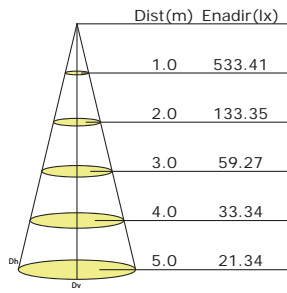
# Photometrics

## Transparent Lens CP45W27V50KB

Luminous Intensity Distribution Curve

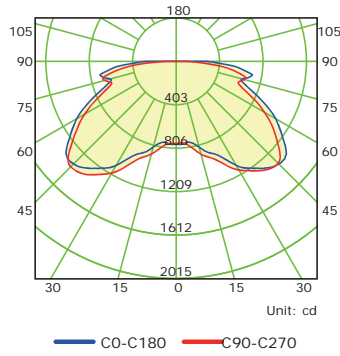


Illuminance at a Distance

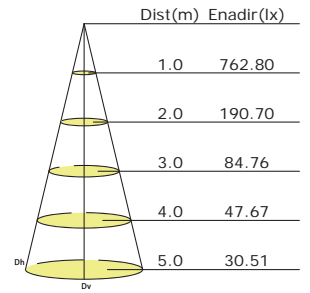


## CP70W27V50KB

Luminous Intensity Distribution Curve



Illuminance at a Distance



NOTE: Typical mounting height is 2.5-4.5 meters (8ft to 15ft)