

VG Series

LED Vehicle Garage Luminaire

Product Description

Cree VG Series parking garage luminaires are designed to deliver optimal, low glare illumination by intelligently combining an in-house designed optical system consisting of indirect view LEDs, a highly efficient internal reflector and a precisely designed optical lens. Architectural design, quick and easy installation and low total cost of ownership makes the VG Series ideal for both new and existing parking garages.

Applications: Parking structures

Performance Summary

Initial Delivered Lumens: 3710-3870 lumens
Input Power: 50 watts
Made in the U.S.A. of U.S. and imported parts
CRI: Minimum 70 CRI
CCT: 4000K (+/- 300K), 5700K (+/- 500K)
Limited Warranty*: 10 years on luminaire/10 years on Colorfast DeltaGuard® finish

* See www.cree.com/lighting/products/warranty for warranty terms

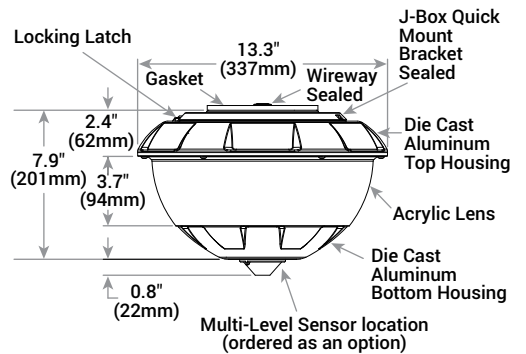
Accessories

Field-Installed		
Bird Shroud VG-BS*	Perimeter Shroud VG-PSSV	Hand-Held Remote XA-SENSREM - For successful implementation of the programmable multi-level option, a minimum of one hand-held remote is required

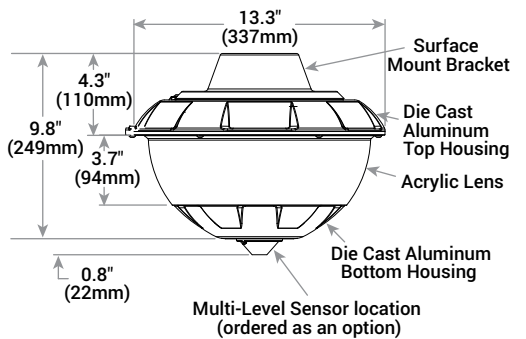
* Must specify finish color. Not available with JB mount



JB Mount



DM Mount



Weight
14.5 lbs. (6.6kg)

Ordering Information

Example: VG-A-DM-5M-A-40K-UL-BK

Product	Version	Mounting	Optic	Input Power Designator	CCT	Voltage	Color Options	Options
VG Vehicle Garage Series	A	DM Surface Direct JB J-Box PD Pendant	5M Type V Medium 5W Type V Wide	A 50W	40K 4000K 57K 5700K	UL Universal 120-277V	BK Black BZ Bronze SV Silver WH White	ML Multi-Level - Refer to ML spec sheet for details PML Programmable Multi-Level - Refer to PML spec sheet for details



Rev. Date: V1 06/15/2015



VG Series LED Vehicle Garage Luminaire

Product Specifications

OPTICAL SYSTEM

- Indirect LED array eliminates direct view of highly efficient LEDs
- Precision engineered optical lens provides maximum low glare light distribution
- Internal white or specular optical reflectors provides choices of Type V Medium or Type V Wide distribution
- Comprehensive optical system provides consistent uniformity

CONSTRUCTION & MATERIALS

- Direct mount provided with factory-installed 3' (0.9m) power cord; plug by others
- Direct mount provided with mounting bracket that secures to any suitable surface appropriate for supporting luminaire
- J-Box mount provided with mounting bracket designed to mount directly over existing 4" (102mm) square, rectangular, or octagonal junction boxes only
- Pendant mount includes 66" (1,676mm) wires out of luminaire and is intended to be mounted by 3/4" IP pendant (by others)
- Low profile, lightweight design provides ease of installation
- Constructed of rugged die cast aluminum with integral, weathertight LED driver compartment and high performance heat sink
- Exclusive Colorfast DeltaGuard® finish features an E-Coat epoxy primer with an ultra-durable powder topcoat providing excellent resistance to corrosion, ultraviolet degradation and abrasion. Black, bronze, silver, and white are available

ELECTRICAL SYSTEM

- **Input Voltage:** 120-277V, 347V, or 480V, 50/60Hz, Class 2 drivers
- **Power Factor:** > 0.9 at full load
- **Operating Temperature Range:** -40°C - +40°C (-40°F - +104°F)
- **Total Harmonic Distortion:** < 20% at full load
- Integral 6kV surge suppression protection standard
- To address inrush current, slow blow fuse or type C/D breaker should be used
- **10V Source Current:** 0.15mA

REGULATORY & VOLUNTARY QUALIFICATIONS

- cULus Listed
- Suitable for wet locations
- Meets FCC Part 15 standards for conducted and radiated emissions
- Enclosure rated IP66 per IEC 60529
- 6kV surge suppression protection tested in accordance with IEEE/ANSI C62.41.2

Meets Buy American requirements within ARRA

- RoHS compliant. Consult factory for additional details

Electrical Data*								
Input Power Designator	System Watts 120-277V	System Watts 347-480V	Total Current					
			120V	208V	240V	277V	347V	480V
A	50	52	0.43	0.25	0.22	0.19	0.15	0.11

* Electrical data at 25°C (77°F)

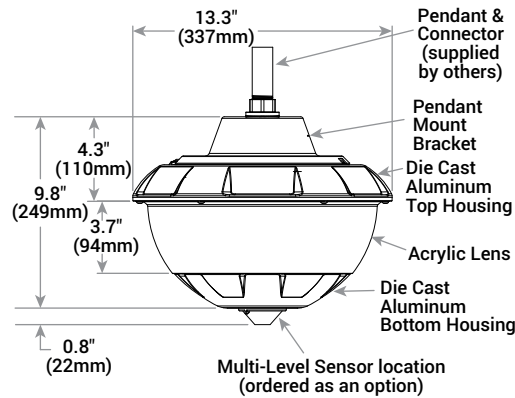
Recommended VG Series Lumen Maintenance Factors (LMF) ¹					
Ambient	Initial LMF	25K hr Projected ² LMF	50K hr Projected ² LMF	75K hr Calculated ³ LMF	100K hr Calculated ³ LMF
5°C (41°F)	1.04	0.99	0.97	0.95	0.93
10°C (50°F)	1.03	0.98	0.96	0.94	0.92
15°C (59°F)	1.02	0.97	0.95	0.93	0.91
20°C (68°F)	1.01	0.96	0.94	0.92	0.90
25°C (77°F)	1.00	0.95	0.93	0.91	0.89

¹ Lumen maintenance values at 25°C are calculated per TM-21 based on LM-80 data and in-situ luminaire testing

² In accordance with IESNA TM-21-11, Projected Values represent interpolated value based on time durations that are within six times (6X) the IESNA LM-80-08 total test duration (in hours) for the device under testing ((DUT) i.e. the packaged LED chip)

³ In accordance with IESNA TM-21-11, Calculated Values represent time durations that exceed six times (6X) the IESNA LM-80-08 total test duration (in hours) for the device under testing ((DUT) i.e. the packaged LED chip)

PD Mount



Weight
14.5 lbs. (6.6kg)

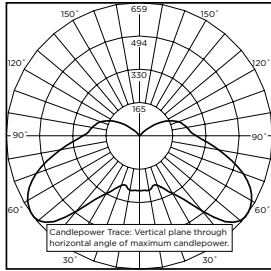


VG Series LED Vehicle Garage Luminaire

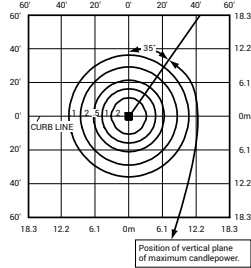
Photometry

All published luminaire photometric testing performed to IESNA LM-79-08 standards by a NVLAP accredited laboratory. To obtain an IES file specific to your project consult: www.cree.com/Lighting/Products/Outdoor/Parking-Structure/VG-Series

5M



ITL Test Report #: 78019
 VG-A-**-5M-A-40K-UL
 Initial Delivered Lumens: 3,776

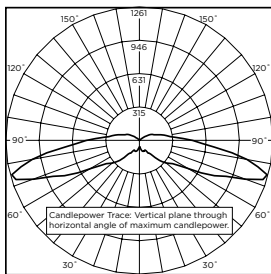


VG-A-**-5M-A-40K-UL
 Mounting Height: 10' (3.0m) A.F.G.
 Initial Delivered Lumens: 3,710
 Initial FC at grade

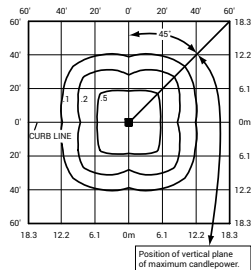
Type V Medium Distribution				
Input Power Designator	4000K		5700K	
	Initial Delivered Lumens*	BUG Ratings** Per TM-15-11	Initial Delivered Lumens*	BUG Ratings** Per TM-15-11
A	3,710	B2 U4 G2	3,820	B2 U4 G2

* Initial delivered lumens at 25°C (77°F)
 ** For more information on the IES BUG (Backlight-Uplight-Glare) Rating visit: www.ies.org/PDF/Erratas/TM-15-11BugRatingsAddendum.pdf. Valid with no tilt

5W



CESTL Test Report #: 2013-0219
 VG-A-**-5W-A-40K-UL
 Initial Delivered Lumens: 3,769



VG-A-**-5W-A-40K-UL
 Mounting Height: 10' (3.0m) A.F.G.
 Initial Delivered Lumens: 3,760
 Initial FC at grade

Type V Wide Distribution				
Input Power Designator	4000K		5700K	
	Initial Delivered Lumens*	BUG Ratings** Per TM-15-11	Initial Delivered Lumens*	BUG Ratings** Per TM-15-11
A	3,760	B2 U4 G3	3,870	B2 U4 G3

* Initial delivered lumens at 25°C (77°F)
 ** For more information on the IES BUG (Backlight-Uplight-Glare) Rating visit: www.ies.org/PDF/Erratas/TM-15-11BugRatingsAddendum.pdf. Valid with no tilt