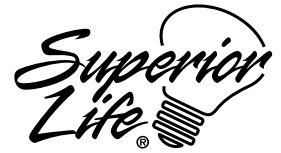


83235

LED CANOPY/70W

TECHNICAL DATA SHEET



FEATURES



Parking Garage Luminaires

- Ultra-thin design
- Replaces 400W MH

HOUSING

- Sealed die-casting profile for indoor and outdoor applications
- Polycarbonate optical lens with heat resisting

MOUNTING

- Three 1/2" threaded conduit and one 3/4" conduit entry points

APPLICATION

Parking structures and storage areas

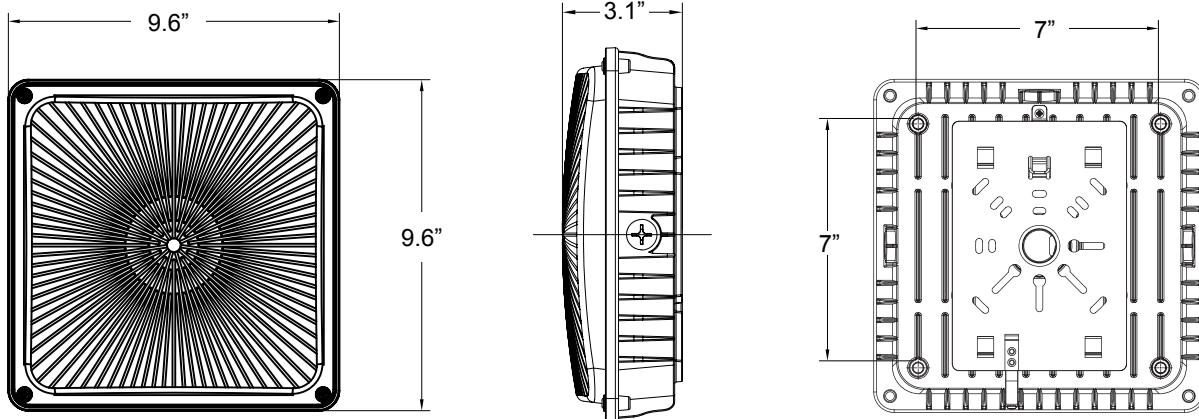
SPECIFICATIONS

Power Consumption	70W
Input Voltage	100-277V
Lumens	5928
Luminous Efficiency	85 Lm/W
Color Temperature	5000K
CRI	77
Housing	Die-Cast Aluminum
Lens	PC Cover
Finish	Black
Dimensions (Inches)	9.6"(L) x 9.6"(W) x 2.9"(D)
LIFESPAN & ENVIRONMENT	
Average Life	50,000
Operating Temperature	-25°C ~ 40°C

SUITABLE FOR
WET
LOCATIONS



DIMENSIONS



ORDERING

ITEM#	DESCRIPTION	WATTS	COLOR	LUMENS	CRI	VOLTS	HOURS	CASE
83235	LED CANOPY 70W/50K/100-277V/BLACK- SUPERIOR LIFE®	70	5000K	5928	77	100-277	50,000	1