

HLF-150HSJ-L-X-040-XXXX-NON

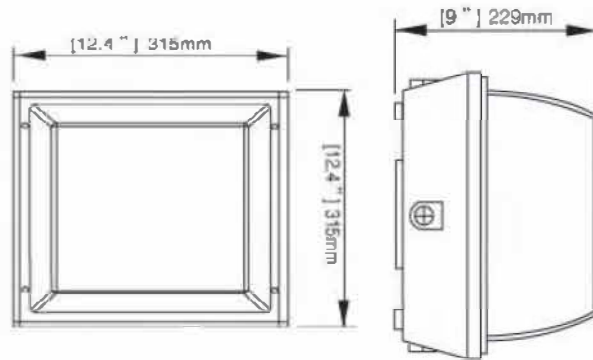
LED CANOPY LIGHT

IP54

Environment Temperature
-30°F ~ +130°F

Environment Humidity
≤95%

Lifespan
50,000hrs



40W LED Canopy Products Specification

FEATURES

- Replace up to 175Watt Metal Halide
- Universal 120-277V
- Mercury Free: no UV
- Heavy-duty cast aluminum housing; rust and corrosion proof; polyester powder coat
- Polycarbonate Lense with UV protector
- Multiple knockouts for mounting convenience
- Fast installation panel & cord out of the fixtures
- 4KV surge protector inside of power supply
- Occupancy and bi-level power supply compatible
- LM-79/80 data available
- 5 Year Limited Warranty

CONSTRUCTION

- Fixture: Heavy-duty die casting aluminium housing polyester powder coating;
- Lens: High light transmittance polycarbonate
- LEDs: Top grade LED, high-output, long-life; CREE, SEOUL, SAMSUNG and so on
- Heat Sink: Aluminium plate attach to the Housing and LEDs to act the whole fixture as the heat sink system to reduce LED heats and add to life.
- LED Driver: IP65/ Constant current meets UL1310 UL 48 Class 1
- Finish: Dark Bronze or white finish.. Environmentally friendly polyester powder coatings
- Mounting: Heavy gauge steel mount brackets is easy for surface mount or outlet box.

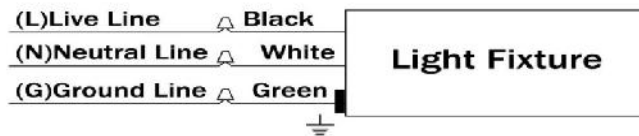
HLF-150HSJ-L-X-040-XXXX-NON

LED CANOPY LIGHT

WIRING

Universal voltage driver permits operation at 100V to 277VAC, 50 or 60Hz except fixtures factory ordered with a 120V photocell (PC).

1. Connect the black fixture lead to the (L) LINE supply lead.
2. Connect the white fixture lead to the (N) COMMON supply lead.
3. Connect the bare copper Ground wire from fixture to supply lead.



Wiring diagram