

LSP4-480

LED Surge Protector

The Hatch LSP4-480 surge protector provides single phase protection for line/neutral, line/ground and neutral/ground in accordance with IEEE C62.41 Category C Low Exposure. The unit was designed to meet new design requirements for luminaires using LED light engines. The LSP4-480 offers protection for LED luminaires in a small and convenient flat form factor. The surge protector is Type 5 SPD. Also protects Electronic Fluorescent & HID ballasts as well as all other electronic products.

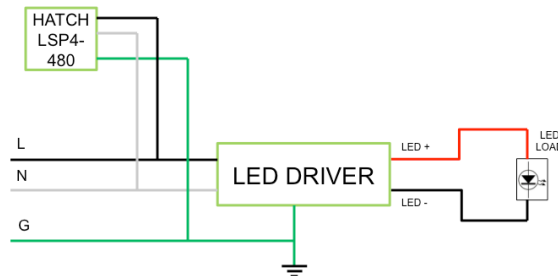


SPECIFICATIONS:

Input Voltage:	347-480V (+/- 5%)
Frequency:	50Hz-60Hz
Maximum Continuous Voltage:	550V
Maximum Discharge Current:	10kA (8/20μs standard wave)
Nominal Discharge Current:	5kA
Wiring:	6 in [153mm] 14 Gauge stripped wires, 105°C, 600V
Wire Connections:	Black and white: 0.5 in [13mm] stripped Green: 0.5 in [13mm] stripped with #8 ring terminal
Mounting Hole:	0.22 in [5.5 mm]
Max Case Temperature:	90°C

Pulse Rating (8 x 20 μSec)		
Surge Level	# of Strikes	
	L-N	L-G, N-G
10,000A	2	1
7,500A	4	2
5,000A	30	15
2,000A	200	100
700A	2000	1000

WIRING DIAGRAM:

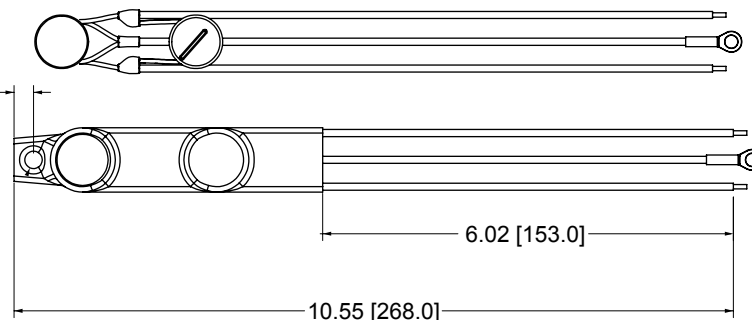


MECHANICAL DIMENSIONS:

in [mm]

0.29 [7.3]

Specifications subject to change without notice.



The LSP4 series of surge protection devices are UL type 5 devices and are designed accordingly to meet UL1449 standard. LSP4 surge protectors are intended to be used in combination with properly rated overcurrent protection and in accordance with the intended application.

