

LED EPN22-1040S-2

4000K
CCT

Part #: EPN22DM/K/40W/4600/120D/40K/DLC/2 Class: LED Panel 2 ft. 2 Lamp

Product Description

LED EPN22-1040S-2 delivers superior brightness, valuable energy savings and long lasting performance. This LED Panel Light is ideal for task lighting due to its uniform *bright white light (4000K). Enjoy features such as: instant on, dimming options, shatter resistance, and mercury free.



Estimated Energy Cost: \$4.81 per year





*Note: Design, features and specifications subject to change without notice. Some features may not be available on all models.

Available only as a twin-pack.
(EPN22-1040S-2 contains 2 LED Panels.)

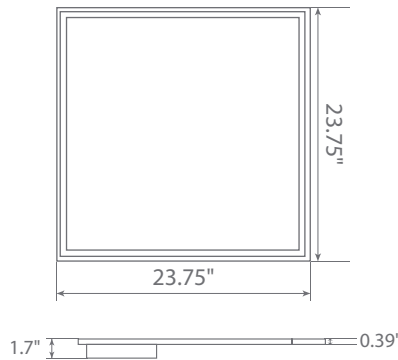
Specifications

Input Power	Input Voltage	Lumen Output	Beam Angle	Center Beam	CCT
40 W	AC100-277V	4600 lm	120°	N/A	4000 K
CRI	Luminous Efficacy	Power Factor	Input Current	Base/Cap	Lamp Lifespan
80	115 lm/W	0.9	0.6 A	NA	50,000 Hrs.

Product Features

-  Dimmable
-  Instant-On/Off
-  Mercury Free
-  Energy Efficient

Product Dimensions



Product Photometric Data



UNIT: cd
— C0/180, 55.7, 58.3
— C90/270, 54.7, 56.4