

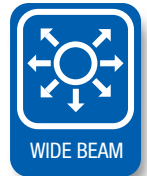
TROFFER 26W HE 1X4' TITANIUM LED SERIES



PRO



- ⌚ Exceptional efficacy 127LPW in Cool White CCT
- ⌚ High performance lighting distribution and low glare lens
- ⌚ 120-277V circuit and 0-10V dimming control compatible
- ⌚ Modern look and high quality architectural finish
- ⌚ Easy installation for new construction or retrofit
- ⌚ Extra long 100,000 hour lifetime



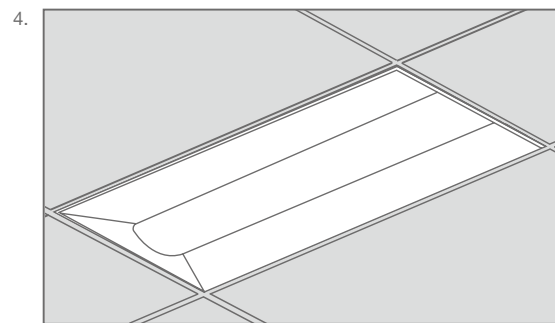
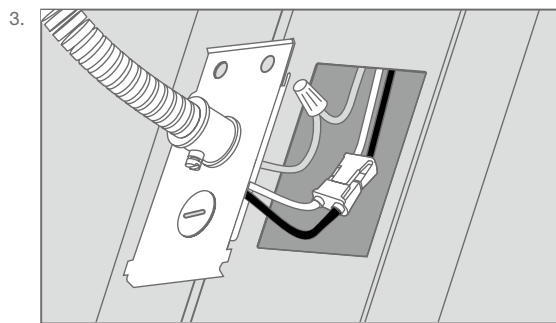
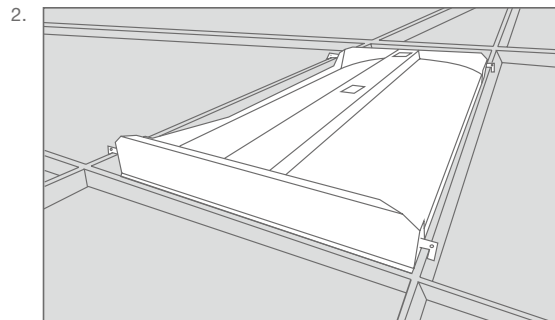
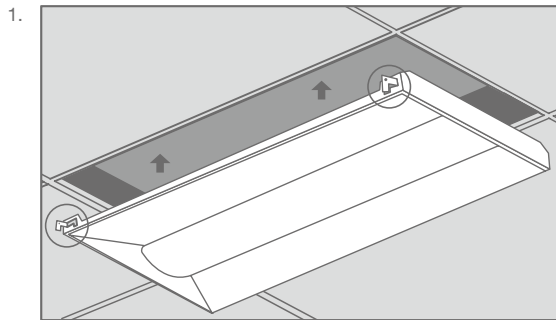
EFFICIENCY AT WORK



TROFFER 26W HE 1X4' TITANIUM LED SERIES



INSTALLATION GUIDE



TROFFER INSTALLATION

- Step 1. Make sure the **POWER IS TURNED OFF** at the source to the location at which you are installing the product.
- Step 2. Remove existing troffer if applicable.
- Step 3. Pull L tabs out on each corner. (fig. 1)
- Step 4. Place troffer in ceiling making sure each L tab is securely hooked on T-bar grid. (fig. 1 & fig. 2)

- Step 5. Remove power conduit plate. Insert power supply into power conduit plate using appropriate electrical fittings. (fig. 3)
- Step 6. Return power back to the source and installation is complete. (fig. 4)

SPECIFICATIONS

| Product | 97939 | 97940 |
|-----------------------------|-------------------------------------|-------------------------------------|
| Model | 26TROF14DIM/835/277V | 26TROF14DIM/840/277V |
| Type | 1x4' Troffer | 1x4' Troffer |
| Power (W) | 26 | 26 |
| Voltage - Frequency | 120-277V 50-60Hz | 120-277V 50-60Hz |
| Color Temp. (ANSI) | Neutral White 3500K | Cool White 4000K |
| CRI (Ra) | 82 | 82 |
| Typical lumens (lm) | 3250 | 3300 |
| Efficacy (LPW) | 125 | 127 |
| Beam Angle | 120° | 120° |
| Dimmable | Yes | Yes |
| Power Factor | 0.9 | 0.9 |
| THD | <20% | <20% |
| Rated Lifetime - L85 (hrs.) | 100,000 | 100,000 |
| Rated Lifetime - L90 (hrs.) | 36,000 | 36,000 |
| L x W x H | 47.71"x11.73"x3.35" (1212x298x85mm) | 47.71"x11.73"x3.35" (1212x298x85mm) |
| Weight (lb. / g) | 11.22lb./5.10kg | 11.22lb./5.10kg |

* Suitable for damp locations. Not for use where directly exposed to the weather or water