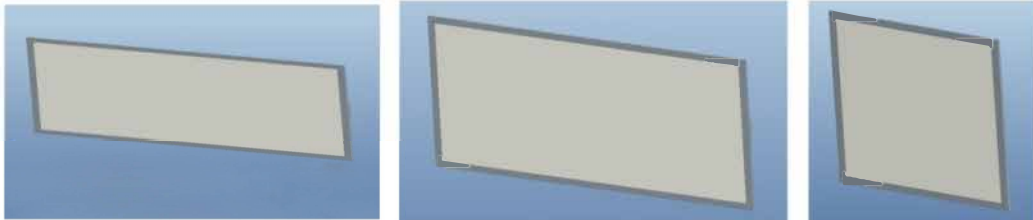


# INSTALLATION & OPERATION INSTRUCTIONS



## IMPORTANT SAFEGUARDS

### Read and follow all safety instructions & installations

1. Review the diagrams thoroughly and disconnect all electrical power before installation to avoid electric shock.
2. Do not mount near adjacent flammable materials or electric heaters.
3. Do not let power supply cords touch hot surface.
4. Fixture is for indoor and dry location, Do not use for outdoor location.
5. Embedded mounting: Install fixture powerfully and safely on LIGHT STEEL STRUCTURE or other structure system .  
System load capacity not less than 10 times the weight of fixture (Fig. 1). Do not mount it on wall surfaces and directly mount on the ceiling surfaces.
6. If any fingerprints or dust are adhered to fixture surface, Wipe them off slightly with soft & wet textile.
7. Do not use any sharp angle to impact any surfaces of the unit.
8. The fixture shall be installed or maintained by qualified electrician or person who is familiar with the luminaires.

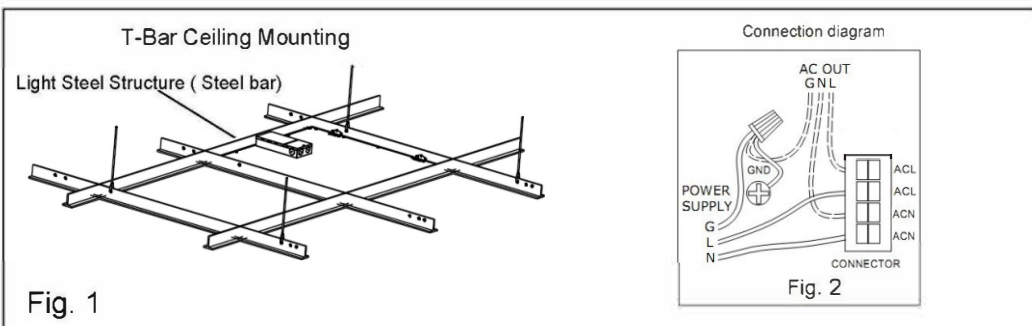
## SAVE THESE INSTRUCTIONS

### Features:

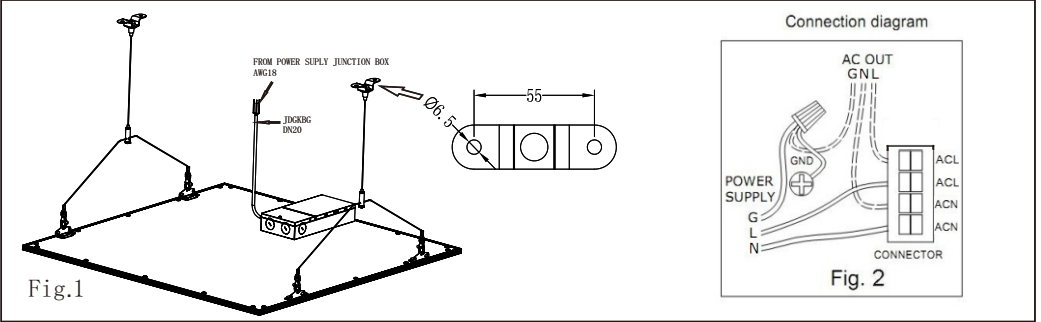
1. The fixture has a slim profile, the frame is standard finish with anodized aluminum color (silver). Custom finish may be available upon request.
2. The fixture adopts super bright SMD LED as its luminous body.
3. A LGP( light guide plate) is used with arcylic panel silk-screen and a high translucent panel for diffuser to ensure the even light, soft and high transmittance.
4. Universal input voltage AC100~277V,50/60Hz and with output DC27~42V Power Module for fixture. Supply Connection refer to(Fig.3)

### Application:

Hotels, Meeting Room, Factories, Offices, Commercial Negotiation Place, Residential, Institutional and Other Buildings, School, Hospital, Need Energy-saving and High Color-rendering Index of Places



# LED Panel Light Series



## Dimensions

