

## LUNERA T8 LED U-BEND

15W/18W LED Replacement for a T8 U-Bend Fluorescent Lamp

Type B - Ballast Bypassed

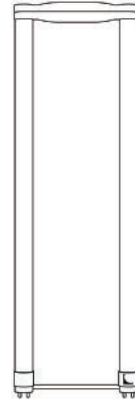
### Description

The **LUNERA T8 LED U-BEND** is a (Type B, ballast bypassed) T-LED replacement for a Bi-Pin T8 U-Bend (G13) fluorescent lamp up to 32W. Its built-in universal driver allows lamp operation at 120V ~ 277V.

This beautiful LED lamp emits light with a 330° Beam Spread, has a Color Rendering Index (CRI) of 83 and delivers up to 1,800 lumens (15W) or 2,200 lumens (18W) of usable light. The LUNERA T8 LED U-BEND features a glass tube for improved optics and is available in 3000K, 3500K, 4000K and 5000K color temperatures. Both a 6-inch or 1-5/8-inch gap configuration are available.

The LUNERA T8 LED U-BEND lamp is rated at 50,000 hours and is backed by a five-year warranty. It does not contain mercury allowing for non-hazardous waste disposal.

This is a Type B lamp. The lamp does not support operation with a fluorescent T8 ballast and the Non-Shunted G13 sockets must be wired into AC line voltage.



6" Gap  
(T8UL-version)



1-5/8" Gap  
(T8US-version)

### Features

- Directly replaces up to 32W/31W/29W/28W/25W (G13) Bi-Pin T8 U-Bend fluorescent lamps with 15W or 18W LED
- Type B Lamp - Ballast Bypassed; supports 120V ~ 277V
- Delivers up to 1,800 (15W) and 2,200 (18W) lumens of usable light
- >80 CRI
- CCT 3000K, 3500K, 4000K and 5000K
- 50,000 hours life to L70
- 5 Year Warranty



### Ordering Information

Example: HN-T8UL-L-22-15W-830-G1

Series	Socket Type	Power Supply	Dimension	Lamp Wattage	CCT	Generation
<b>HN</b> Lunera T8 LED U-Bend	<b>T8UL</b> U-Bend Bi-Pin T8 socket (G13) 6" apart (Non-Shunted)	<b>L</b> Ballast Bypass Supports 120V~277V	<b>22</b> 22 inch tube	<b>15W</b> Replaces up to 32W with 1,800lm (UL) or 1,700lm (US)	<b>830:</b> 3000K <b>835:</b> 3500K <b>840:</b> 4000K <b>850:</b> 5000K	<b>G1:</b> 1st Generation Frosted
	<b>T8US</b> U-Bend Bi-Pin T8 socket (G13) 1 5/8" apart (Non-Shunted)			<b>18W</b> Replaces up to 32W with 2,200lm (UL) or 2,100lm (US)		

## Product Specifications

### Illumination

Color Temperatures	3000K, 3500K, 4000K, 5000K	
T8UL (6" Gap)	Up to 1,800lm (15W)	Up to 2,200lm (18W)
T8US (1-5/8" Gap)	Up to 1,700lm (15W)	Up to 2,100lm (18W)
CRI	>80	
Color Consistency	Lunera TruColor LED Selection	
Lumen Maintenance (L70)	50,000+ hours life	

### Electrical System

Power Factor	> 90%	
Total Harmonic Distortion	< 20%	
Input Voltage	120VAC ~ 277VAC	
Total Power*	15W	18W
Lamp Wattage Replaced	Up to 32W	
Dimming	Contact Lunera for Compatibility	

### Physical

Weight	0.50 lbs	
Housing and Finish	Glass, White	
Optics	Optical Glass Diffusion	
Beam Spread / Beam Angle	330° / 230°	

### Environment

Ambient Operating Temp	-40°F to 104°F (-40°C to 40°C)	
Ambient Operating Humidity	Dry and Damp Certified	

### Installation

Socket Type	G13, Medium Bi-Pin T8 socket (Non-Shunted tombstones)	
Line Voltage	YES [120V~277V]	

### Certifications & Qualifications

UL (US and Canada)	Classified (UL1598-C) Recognized	
FCC**	Complies with Parts 15A/B	
RoHS Compliant	Contains no lead or mercury	
LM79, LM80, IES Files	Available. Contact Lunera.	
DesignLights Consortium Listed	Yes, 4.1 (6" Gap version)	

### Warranty

Warranty	5 years	
----------	---------	--

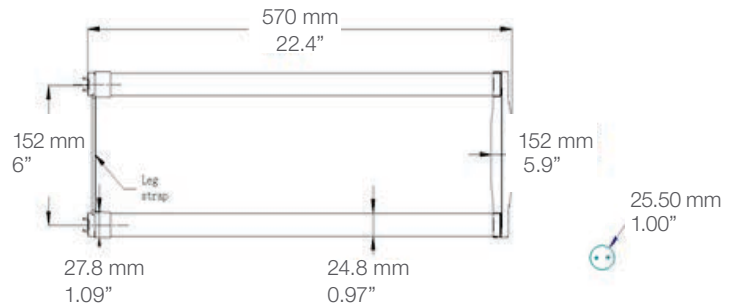
## CAUTION

Turn power off when installing the lamp.

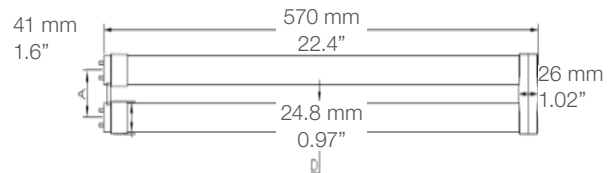
**CAUTION** - IF THE LAMP OR LUMINAIRE EXHIBITS UNDESIRABLE OPERATION (BUZZING, FLICKERING, ETC.), IMMEDIATELY TURN OFF POWER, REMOVE LAMP FROM LUMINAIRE AND CONTACT MANUFACTURER.

## Dimensions

### U-Bend with 6" apart G13 sockets



### U-Bend with 1-5/8" apart G13 sockets



## Application Notes

This lamp does NOT support Shunted tombstones. Shunted tombstones must be removed and replaced with Non-Shunted tombstones.

*Product warranty will be voided* under the following conditions or if installed into the following applications:

- Lamp installed into luminaires with input voltage above 277V
- Lamp installed in a fully enclosed fixture
- Incorrect wiring configuration to the lamp
- Lamp installed into fluorescent ballasts or LED Drivers
- Lamp installation into Shunted socket
- Lamp installation into cracked, broken, dirty or rusty tombstones

\* Total Power equals Lamp Power since ballast is bypassed or removed

\*\* Operation is subject to the following conditions:

- (1) this device may not cause harmful interference, and
- (2) this device must accept any interference received, including interference that may cause undesired operations.

## Electrical Connection

LUNERA T8 LED U-BEND driven by 120V/277V 60Hz AC.

