

LUNERA T8 LED U-BEND

15W/18W LED Replacement for a T8 U-Bend Fluorescent Lamp

Type B - Ballast Bypassed

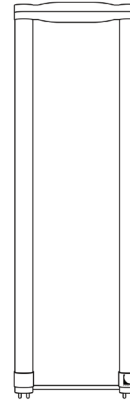
Description

The **LUNERA T8 LED U-BEND** is a (Type B, ballast bypassed) T-LED replacement for a Bi-Pin T8 U-Bend (G13) fluorescent lamp up to 32W. Its built-in universal driver allows lamp operation at 120V ~ 277V.

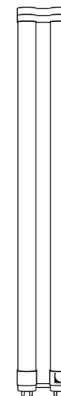
This beautiful LED lamp emits light with a 330° Beam Spread, has a Color Rendering Index (CRI) of 83 and delivers up to 1,800 lumens (15W) or 2,200 lumens (18W) of usable light. The LUNERA T8 LED U-BEND features a glass tube for improved optics and is available in 3000K, 3500K, 4000K and 5000K color temperatures. Both a 6-inch or 1-5/8-inch gap configuration are available.

The LUNERA T8 LED U-BEND lamp is rated at 50,000 hours and is backed by a five-year warranty. It does not contain mercury allowing for non-hazardous waste disposal.

This is a Type B lamp. The lamp does not support operation with a fluorescent T8 ballast and the Non-Shunted G13 sockets must be wired into AC line voltage.



6" Gap
(T8UL-version)



1-5/8" Gap
(T8US-version)

Features

- Directly replaces up to 32W/31W/29W/28W/25W (G13) Bi-Pin T8 U-Bend fluorescent lamps with 15W or 18W LED
- Type B Lamp - Ballast Bypassed; supports 120V ~ 277V
- Delivers up to 1,800 (15W) and 2,200 (18W) lumens of usable light
- >80 CRI
- CCT 3000K, 3500K, 4000K and 5000K
- 50,000 hours life to L70
- 5 Year Warranty



Ordering Information

Example: HN-T8UL-L-22-15W-830-G1

Series	Socket Type	Power Supply	Dimension	Lamp Wattage	CCT	Generation
HN Lunera T8 LED U-Bend	T8UL U-Bend Bi-Pin T8 socket (G13) 6" apart (Non-Shunted)	L Ballast Bypass Supports 120V~277V	22 22 inch tube	15W Replaces up to 32W with 1,800lm (UL) or 1,700lm (US)	830: 3000K 835: 3500K 840: 4000K 850: 5000K	G1: 1st Generation Frosted
	T8US U-Bend Bi-Pin T8 socket (G13) 1 5/8" apart (Non-Shunted)			18W Replaces up to 32W with 2,200lm (UL) or 2,100lm (US)		

Product Specifications

Illumination

Color Temperatures	3000K, 3500K, 4000K, 5000K	
T8UL (6" Gap)	Up to 1,800lm (15W)	Up to 2,200lm (18W)
T8US (1-5/8" Gap)	Up to 1,700lm (15W)	Up to 2,100lm (18W)
CRI	>80	
Color Consistency	Lunera TruColor LED Selection	
Lumen Maintenance (L70)	50,000+ hours life	

Electrical System

Power Factor	> 90%	
Total Harmonic Distortion	< 20%	
Input Voltage	120VAC ~ 277VAC	
Total Power*	15W	18W
Lamp Wattage Replaced	Up to 32W	
Dimming	Contact Lunera for Compatibility	

Physical

Weight	0.50 lbs	
Housing and Finish	Glass, White	
Optics	Optical Glass Diffusion	
Beam Spread / Beam Angle	330° / 230°	

Environment

Ambient Operating Temp	-40°F to 104°F (-40°C to 40°C)	
Ambient Operating Humidity	Dry and Damp Certified	

Installation

Socket Type	G13, Medium Bi-Pin T8 socket (Non-Shunted tombstones)	
Line Voltage	YES [120V~277V]	

Certifications & Qualifications

UL (US and Canada)	Classified (UL1598-C) Recognized	
FCC**	Complies with Parts 15A/B	
RoHS Compliant	Contains no lead or mercury	
LM79, LM80, IES Files	Available. Contact Lunera.	
DesignLights Consortium Listed	Yes, 4.1 (6" Gap version)	

Warranty

Warranty	5 years	
----------	---------	--

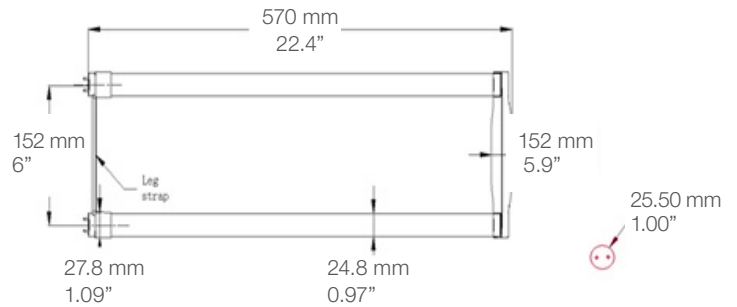
CAUTION

Turn power off when installing the lamp.

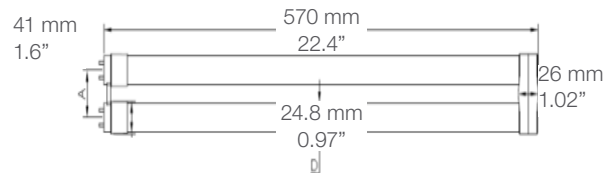
CAUTION - IF THE LAMP OR LUMINAIRE EXHIBITS UNDESIRABLE OPERATION (BUZZING, FLICKERING, ETC.), IMMEDIATELY TURN OFF POWER, REMOVE LAMP FROM LUMINAIRE AND CONTACT MANUFACTURER.

Dimensions

U-Bend with 6" apart G13 sockets



U-Bend with 1-5/8" apart G13 sockets



Application Notes

This lamp does NOT support Shunted tombstones. Shunted tombstones must be removed and replaced with Non-Shunted tombstones.

Product warranty will be voided under the following conditions or if installed into the following applications:

- Lamp installed into luminaires with input voltage above 277V
- Lamp installed in a fully enclosed fixture
- Incorrect wiring configuration to the lamp
- Lamp installed into fluorescent ballasts or LED Drivers
- Lamp installation into Shunted socket
- Lamp installation into cracked, broken, dirty or rusty tombstones

* Total Power equals Lamp Power since ballast is bypassed or removed

** Operation is subject to the following conditions:

- (1) this device may not cause harmful interference, and
- (2) this device must accept any interference received, including interference that may cause undesired operations.

Electrical Connection

LUNERA T8 LED U-BEND driven by 120V/277V 60Hz AC.

