

LUNERA T8 LED U-BEND

12W/15W/17W LED Replacement for a T8 U-Bend Fluorescent Lamp

Type A - Ballast Driven

Description

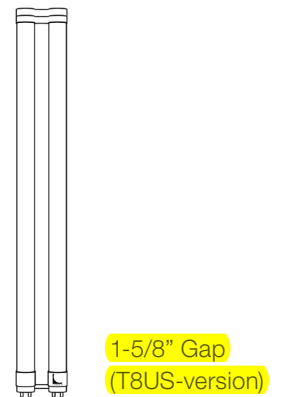
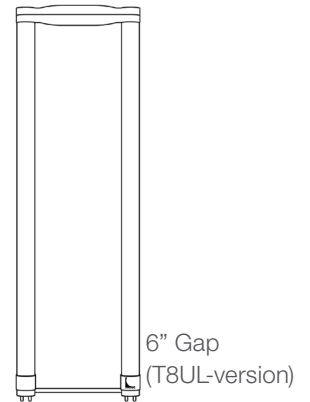
The **LUNERA T8 LED U-BEND** is a plug-and-play (Type A, ballast driven) T-LED replacement for a Bi-Pin T8 U-Bend (G13) fluorescent lamp up to 32W. It operates off of the existing electronic ballast and supports instant start, rapid start, and programmed start ballasts. No fixture rewiring is required.

This beautiful LED lamp emits light with a 330° Beam Spread, has a Color Rendering Index (CRI) of 83 and delivers up to 1,800 lumens (12W) or 2,200 lumens (15W or 17W) of usable light. The LUNERA T8 LED U-BEND features a glass tube for improved optics and is available in 3000K, 3500K, 4000K and 5000K color temperatures. The lamp can be ordered in either a 6-inch or 1-5/8-inch gap configuration.

This lamp includes Thermal Fuse Protection, with 5 fuses (one per pin and on the electronics board) that safely disable the lamp in the event of thermal/overheating issues caused by arcing or shorts due to faulty fixture wiring, ballast failure, or socket degeneration.

The LUNERA T8 LED U-BEND is rated at 50,000 hours and backed by a five-year warranty. It contains no mercury allowing for non-hazardous waste disposal.

This Type A ballast driven product does NOT support line voltage.



Features

- Directly replaces up to 32W/31W/29W/28W/25W Bi-Pin (G13) T8 U-Bend fluorescent lamps with 12W, 15W or 17W LED
- Type A (ballast driven) plug-and-play Installation; supports Instant-, Rapid- and Programmed-Start fluorescent ballasts
- Delivers up to 1,800 (12W) or 2,200 (15W or 17W) lumens of usable light with >80 CRI
- Thermal Fuse Protection
- CCT 3000K, 3500K, 4000K and 5000K
- 50,000 hours life to L70 / 5-Year Warranty

Ordering Information

Example: HN-T8UL-D-22-12W-830-G1

Series	Socket Type	Power Supply	Dimension	Lamp Wattage	CCT	Generation
HN Lunera T8 LED U-Bend	T8UL U-Bend fixture with Bi-Pin T8 socket (G13) 6" apart T8US U-Bend fixture with Bi-pin T8 socket (G13) 1-5/8" apart	D Supports electronic T8 fluorescent ballasts	22 22 inch tube	12W (UL and US) Replaces up to 32W with 1,800 lumens 15W (UL) Replaces up to 32W with 2,200 lumens 17W (UL and US) Replaces up to 32W with 2,200 lumens	830: 3000K 835: 3500K 840: 4000K 850: 5000K	G1 1st Generation Frosted

Product Specifications

Illumination

Color Temperatures	3000K, 3500K, 4000K, 5000K	
Delivered Lumens:	T8UL (6" Gap)	Up to 1,800lm (12W) Up to 2,200lm (15W or 17W)
	T8US (1-5/8" Gap)	Up to 1,700lm (12W) Up to 2,100lm (17W)
CRI	>80	
Color Consistency	Lunera TruColor LED Selection	
Lumen Maintenance (L70)	50,000+ hours life	

Electrical System

Power Factor	> 90%
Total Harmonic Distortion	< 20%
Input Voltage	Dependent of the ballast (Lamp operates off of rapid, instant, and programmed start electronic ballasts)
Lamp Power	12W (1,800lm (UL) / 1,700lm (US) 15W/17W 2,200lm (UL) / 2,100lm (US)
Lamp Wattage Replaced	Up to 32W
Dimming	Contact Lunera for Compatibility
Ballast Factor	<1
	The Lunera T8 lamp may be used with Low Ballast Factor (LBF) and Normal Ballast Factor (NBF) electronic ballasts.

Physical

Weight	0.50 lbs
Housing and Finish	Glass, White
Optics	Optical Glass Diffusion
Beam Spread / Beam Angle	330° / 230°

Environment

Ambient Operating Temp	-4°F to 113°F (-20°C to 45°C)
Thermal Fuse Protection*	Yes
Ambient Operating Humidity	Dry and Damp Certified

Installation

Socket Type	Medium Bi-Pin G13 socket (Shunted and Non-Shunted Tombstone)
Line Voltage	No, this lamp is NOT approved for use with line voltage.

Certifications & Qualifications

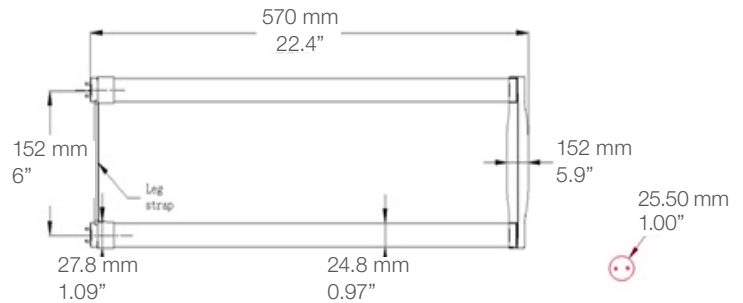
UL (US and Canada)	Listed (UL1993)
RoHS Compliant	Contains no lead or mercury
LM79, LM80, IES Files	Available. Contact Lunera.
DLC Listed	DLC Pending (6" Gap version)

Warranty

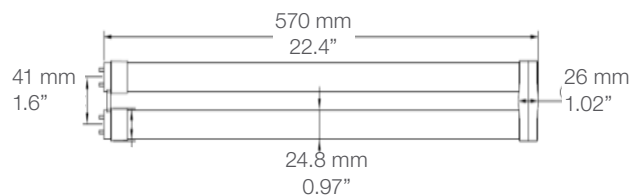
Warranty	5 years
----------	---------

Dimensions

U-Bend with 6" apart G13 sockets



U-Bend with 1-5/8" apart G13 sockets



Application Notes

The LUNERA T8 LED U-BEND is NOT rated for use in gasketed, fully enclosed fixtures.

The LUNERA T8 LED U-BEND supports operation with LBF and NBF electronic ballasts.

Product warranty will be voided under the following conditions or if installed into the following applications:

- Installation with line voltage, LED drivers, or incompatible ballasts
- Gasketed, fully enclosed fixtures
- Wet environments
- Broken, cracked, rusted or dirty/ improper wiring to the tombstones/lamp

* Thermal fuses incorporated into Lunera's T8 LED lamps eliminate thermal/overheating issues when installed in the following applications:

- Gasketed, fully enclosed fixtures (voids warranty)
- High Ballast Factors over-driving the lamp (voids warranty)
- Lamp installation with incorrect ballast-socket (tombstone) wiring (voids warranty)
- Hot-plugging that may lead to internal arcing (voids warranty)

CAUTION

Turn power off when installing the lamp.

CAUTION - IF THE LAMP OR LUMINAIRE EXHIBITS UNDESIRABLE OPERATION (BUZZING, FLICKERING, ETC.), IMMEDIATELY TURN OFF POWER, REMOVE LAMP FROM LUMINAIRE AND CONTACT MANUFACTURER.