

## LUNERA MH LED VERTICAL - NO FAN

145W-82W LED Replacement for Metal Halide Lamps

Type A - Ballast Driven (E39/EX39 Mogul Base, Fanless Cooling)

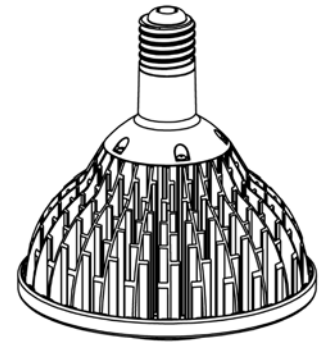
### Description

The **LUNERA MH LED VERTICAL - NO FAN** is a plug-and-play (Type A, ballast driven) LED replacement for a Metal Halide (MH) lamp with a mogul (E39) base. This improved version of Lunera's fanless LED MH lamp **now replaces a 400W/320W MH lamp range with a 17% higher 16,400 lumen output**. It is ideal for high-bay pendants, particularly in quiet installations with a low ambient noise level.

Lunera's BallastLED technology makes the lamp truly plug-and-play by allowing it to operate directly off of the existing ballasts. Simply change the lamp with no additional fixture or socket re-wiring required.

**This lamp also has no cooling fan.** It incorporates Thermal IQ, a proprietary Lunera technology which enables the LUNERA MH LED VERTICAL - NO FAN to operate reliably up to 150°F ambient by dimming itself based upon thermal characteristics of the fixture in which it has been installed.

It is rated at 50,000 hours and is backed by a five-year warranty. This lamp does not contain mercury, allowing for non-hazardous waste disposal.



Clear Lens

### Features

- Directly replaces 400W/320W MH lamps with 145W-82W LED
- Type A (ballast driven) Installation; supports existing CWA MH ballast
- Delivers up to 16,400 (145W)/14,000 (130W) lumens of usable light with >80 CRI
- CCT 3500K, 4000K and 5000K
- Supports E39/EX39 mogul base HID sockets
- Thermal IQ to support ambient temperatures up to 150°F without a cooling fan
- 50,000 hours life to L70 with 5 Year Warranty

MH Lamp Wattage Replaced	CWA Ballast Type	Lunera LED	
		Lamp Wattage	Max Lumens
400W	M59	145W	16,400
320W	M132	130W	14,000



### Ordering Information

Example: SN-V-E39-400W-320W-3500-G2S

Series	Version	Socket Type	Lamp Wattage Replaced	CCT	Generation	Feature
<b>SN</b> Lunera MH LED	<b>V</b> Vertical	<b>E39</b> Fits in mogul (E39) base MH socket	<b>400-320W</b> 400W (M59) 320W (M132)	<b>3500:</b> 3500K <b>4000:</b> 4000K <b>5000:</b> 5000K	<b>G2S</b> 2nd Generation	

## Product Specifications - Higher Lumen MH Lamp

	Driven by 400W (M59) Ballast	Driven by 320W (M132) Ballast
<b>Illumination</b>		
Color Temperatures	3500K, 4000K, 5000K	3500K, 4000K, 5000K
Lumens	3500K: 15,700lm 4000K: 16,100lm 5000K: 16,400lm	3500K: 13,400lm 4000K: 13,700lm 5000K: 14,000lm
Color Consistency	Lunera TruColor LED Selection	Lunera TruColor LED Selection
Lumen Maintenance (L70)	50,000+ hours life	50,000+ hours life
<b>Electrical System</b>		
Input Voltage*	CWA MH ballast	CWA MH ballast
Lamp Power	145W	130W
System Power**	189W	167W
Ballast Types Supported	M59	M132
Lamp Wattage Replaced	400W	320W
Dimming	Contact Lunera	Contact Lunera
<b>Physical</b>		
Dimensions (H x W)	9.41" x 8.27"	9.41" x 8.27"
Weight	3.75 lbs	3.75 lbs
Housing and Finish	Painted	Painted
Heat Sink Size	8"	8"
<b>Environment</b>		
Ambient Temperature***	-40°F to 150°F	-40°F to 150°F
Humidity Rating	Damp OK, no direct water spray	Damp OK, no direct water spray
Fixture Type	Open or enclosed	Open or enclosed
<b>Installation</b>		
Socket Type	Vertical mount mogul base (E39/EX39) MH socket	Vertical mount mogul base (E39/EX39) MH socket
<b>Certifications &amp; Qualifications</b>		
UL (US and Canada)	Recognized	Recognized
RoHS Compliant	Contains no lead or mercury	Contains no lead or mercury
LM79, LM80, IES Files	Available. Contact Lunera.	Available. Contact Lunera.
<b>Warranty</b>		
Warranty	5 years	5 years

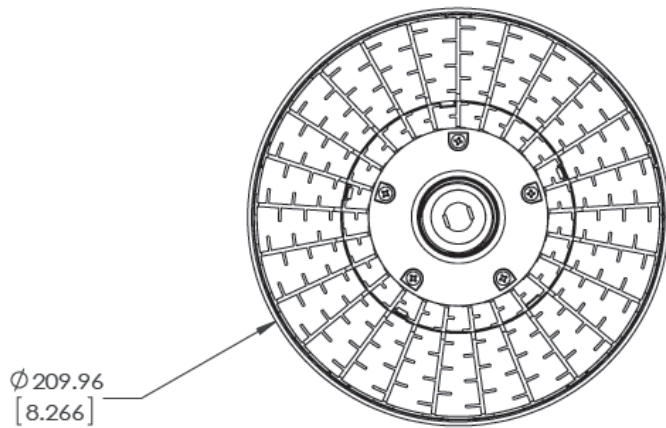
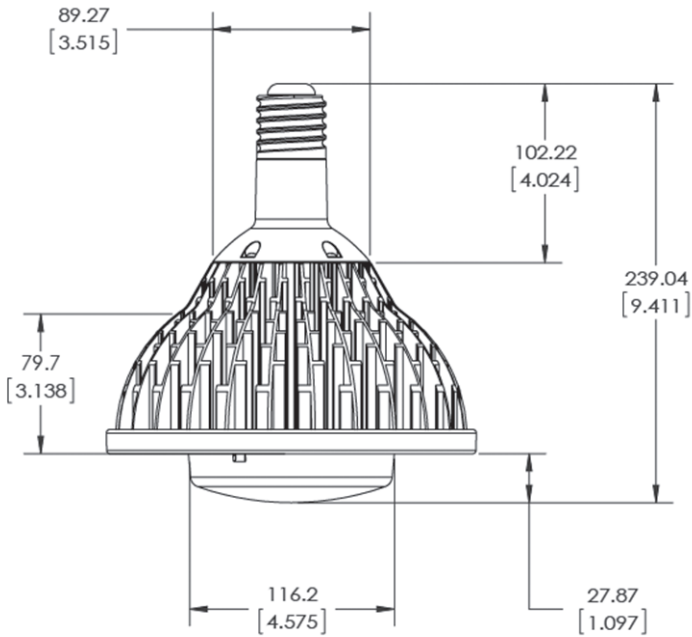
\* Do NOT install this lamp into line voltage or with an LED driver.

\*\* System Power equals lamp power + ballast power.

\*\*\* Thermal IQ is a proprietary Lunera technology which enables the LUNERA MH LED VERTICAL - NO FAN to operate reliably up to 150°F ambient by dimming itself based upon thermal characteristics of the fixture in which it has been installed.

## Product Dimensions

Measurements are rounded up. Dimensions are shown in millimeters. Please contact your Lunera representative for exact dimensions.



## Application Notes

### CAUTION

Turn power off when installing the lamp.

**CAUTION** - IF THE LAMP OR LUMINAIRE EXHIBITS UNDESIRABLE OPERATION (BUZZING, FLICKERING, ETC.), IMMEDIATELY TURN OFF POWER, REMOVE LAMP FROM LUMINAIRE AND CONTACT MANUFACTURER.