

LUNERA MH LED VERTICAL - NO FAN

145W-82W LED Replacement for Metal Halide Lamps

Type A - Ballast Driven (E39/EX39 Mogul Base, Fanless Cooling)

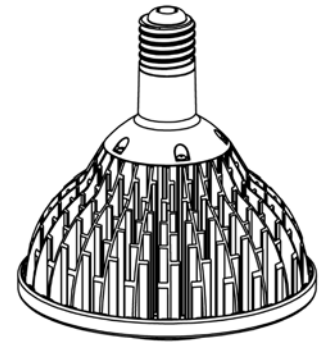
Description

The **LUNERA MH LED VERTICAL - NO FAN** is a plug-and-play (Type A, ballast driven) LED replacement for a Metal Halide (MH) lamp with a mogul (E39) base. This improved version of Lunera's fanless LED MH lamp **now replaces a 400W/320W MH lamp range with a 17% higher 16,400 lumen output.** It is ideal for high-bay pendants, particularly in quiet installations with a low ambient noise level.

Lunera's BallastLED technology makes the lamp truly plug-and-play by allowing it to operate directly off of the existing ballasts. Simply change the lamp with no additional fixture or socket re-wiring required.

This lamp also has no cooling fan. It incorporates Thermal IQ, a proprietary Lunera technology which enables the LUNERA MH LED VERTICAL - NO FAN to operate reliably up to 150°F ambient by dimming itself based upon thermal characteristics of the fixture in which it has been installed.

It is rated at 50,000 hours and is backed by a five-year warranty. This lamp does not contain mercury, allowing for non-hazardous waste disposal.



Clear Lens

Features

- Directly replaces 400W/320W MH lamps with 145W~130W LED
- Type A (ballast driven) Installation; supports existing CWA MH ballast
- Delivers up to 16,400 (145W)/14,000 (130W) lumens of usable light with >80 CRI
- CCT 3500K, 4000K and 5000K
- Supports E39/EX39 mogul base HID sockets
- Thermal IQ to support ambient temperatures up to 150°F without a cooling fan
- 50,000 hours life to L70 with 5 Year Warranty

MH Lamp Wattage Replaced	CWA Ballast Type	Lunera LED	
		Lamp Wattage	Max Lumens
400W	M59	145W	16,400
320W	M132	130W	14,000



Ordering Information

Example: SN-V-E39-400-320W-3500-G2S

Series	Version	Socket Type	Lamp Wattage Replaced	CCT	Generation	Feature
SN Lunera MH LED	V Vertical	E39 Fits in mogul (E39) base MH socket	400W-320W 400W (M59) 320W (M132)	3500: 3500K 4000: 4000K 5000: 5000K	G2S 2nd Generation	

Product Specifications - Higher Lumen MH Lamp

	Driven by 400W (M59) Ballast	Driven by 320W (M132) Ballast
Illumination		
Color Temperatures	3500K, 4000K, 5000K	3500K, 4000K, 5000K
Lumens	3500K: 15,700lm 4000K: 16,100lm 5000K: 16,400lm	3500K: 13,400lm 4000K: 13,700lm 5000K: 14,000lm
Color Consistency	Lunera TruColor LED Selection	Lunera TruColor LED Selection
Lumen Maintenance (L70)	50,000+ hours life	50,000+ hours life
Electrical System		
Input Voltage*	CWA MH ballast	CWA MH ballast
Lamp Power	145W	130W
System Power**	189W	167W
Ballast Types Supported	M59	M132
Lamp Wattage Replaced	400W	320W
Dimming	Contact Lunera	Contact Lunera
Physical		
Dimensions (H x W)	9.41" x 8.27"	9.41" x 8.27"
Weight	3.75 lbs	3.75 lbs
Housing and Finish	Painted	Painted
Heat Sink Size	8"	8"
Environment		
Ambient Temperature***	-40°F to 150°F	-40°F to 150°F
Humidity Rating	Damp OK, no direct water spray	Damp OK, no direct water spray
Fixture Type	Open or enclosed	Open or enclosed
Installation		
Socket Type	Vertical mount mogul base (E39/EX39) MH socket	Vertical mount mogul base (E39/EX39) MH socket
Certifications & Qualifications		
UL (US and Canada)	Recognized	Recognized
RoHS Compliant	Contains no lead or mercury	Contains no lead or mercury
LM79, LM80, IES Files	Available. Contact Lunera.	Available. Contact Lunera.
Warranty		
Warranty	5 years	5 years

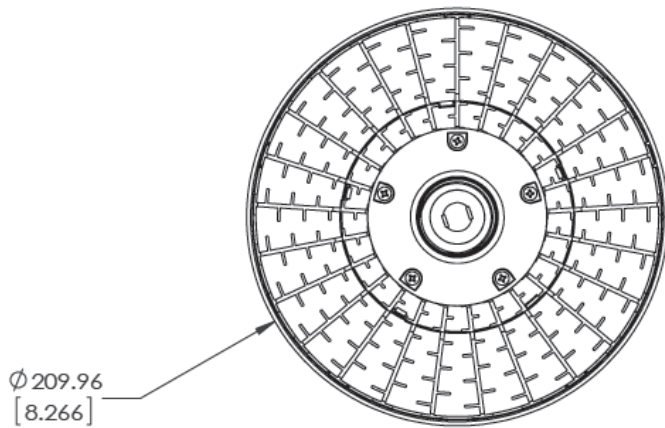
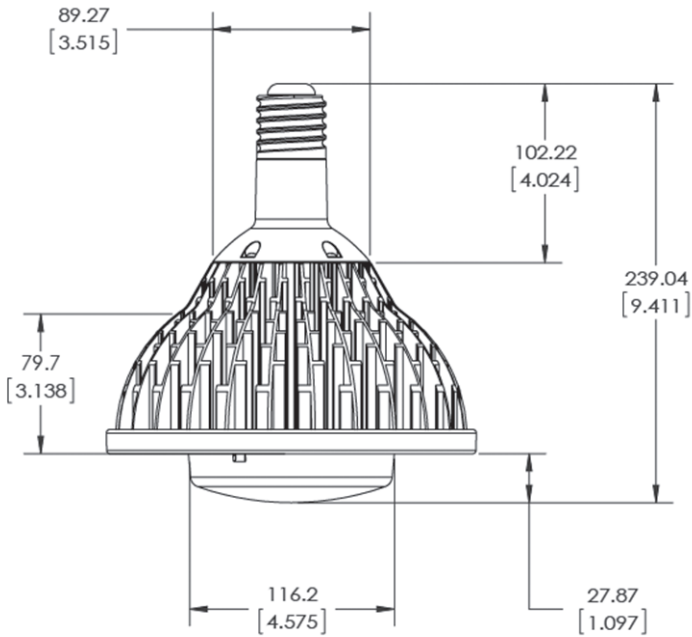
* Do NOT install this lamp into line voltage or with an LED driver.

** System Power equals lamp power + ballast power.

*** Thermal IQ is a proprietary Lunera technology which enables the LUNERA MH LED VERTICAL - NO FAN to operate reliably up to 150°F ambient by dimming itself based upon thermal characteristics of the fixture in which it has been installed.

Product Dimensions

Measurements are rounded up. Dimensions are shown in millimeters. Please contact your Lunera representative for exact dimensions.



Application Notes

CAUTION

Turn power off when installing the lamp.

CAUTION - IF THE LAMP OR LUMINAIRE EXHIBITS UNDESIRABLE OPERATION (BUZZING, FLICKERING, ETC.), IMMEDIATELY TURN OFF POWER, REMOVE LAMP FROM LUMINAIRE AND CONTACT MANUFACTURER.