

LUNERA T8 LED 8FT QUICK BYPASS

43W LED Replacement for 8FT T8 or T12 Fluorescent Lamps (R17d Connector)
Type B - Double-Ended, Ballast Bypassed

Description

The **LUNERA T8 LED 8FT UTT** is a line driven (Type B, double-ended, ballast bypassed) linear T-LED replacement for an 8FT double recessed contact (R17d) T8 or T12 fluorescent lamp up to 75W. Its built-in universal driver allows lamp operation at 120V ~ 277V.

Lunera's integrated Universal Tombstone Technology (UTT) makes this a double-ended lamp, allowing installation into both Shunted and Non-Shunted sockets in the case of the Double Recessed Contact (R17d). UTT lamps are UL Classified for safe handling and can reduce installation time by half.

This lamp emits beautiful LED light over 330° of its surface. It has a Color Rendering Index (CRI) of >80 and delivers up to 5,500 lumens of usable light. The LUNERA T8 LED 8FT features a glass tube for improved optics and is available in 3000K, 3500K, 4000K and 5000K color temperatures.

This lamp is rated at 50,000 hours and is backed by a five-year warranty. It contains no mercury, allowing for non-hazardous waste disposal.

This is a Type B (ballast bypassed) lamp and does not support fluorescent ballasts or LED drivers. The Double Recessed Contact (R17d) sockets can be either Shunted or Non-Shunted. All sockets are wired into AC line voltage.



Double Recessed Contact (R17d)

Features

- Replacement for T8 or T12 Lamps up to 75W with a 43W LED
- Quick Bypass (Type B, double-ended, ballast bypassed) Installation - supports line driven 120V-277V AC
- Universal Tombstone Technology (UTT) compatible with both Shunted and Non-Shunted Double Recessed Contact (R17d) sockets
- Delivers up to 5,500 lumens at > 80 CRI
- CCT 3000K, 3500K, 4000K and 5000K
- 50,000 hours life to L70 / 5-Year Warranty / P.E.T. ShatterGuard



Ordering Information

HN-T8-L-96-43W-850-G1-UT

Series	Socket Type	Power Supply	Dimension	Lamp Wattage	CCT	Generation	Feature
HN Lunera T8 LED	T8 Double Recessed Contact (R17d)	L Ballast Bypassed Supports (120V~277V)	96 96 inch tube	43W Up to 75W with 5,500lm (T8 or T12)	830: 3000K 835: 3500K 840: 4000K 850: 5000K	G1 1st Generation	UT Universal Tombstone Technology (Supports Shunted and Non- Shunted R17d tombstones)

Product Specifications

Illumination

Color Temperatures	3000K, 3500K, 4000K, 5000K
Delivered Lumens:	Up to 5,500lm
CRI	>80
Color Consistency	Lunera TruColor LED Selection
Lumen Maintenance (L70)	50,000+ hours life

Electrical System

Power Factor	> 90%
Total Harmonic Distortion	< 20%
Input Voltage	120V ~ 277V 50/60Hz AC Line Voltage
Total Power*	43W
Lamp Wattage Replaced	Up to 75W (T8 or T12)
Dimming	No
Universal Tombstone Technology**	Yes Double Recessed Contact (R17d)

Physical

Weight	0.9 lbs
Housing and Finish***	Glass, White, with P.E.T. ShatterGuard
Optics	Optical Glass Diffusion
Beam Spread / Beam Angle	330° / 230°

Environment

Ambient Operating Temp	-28°F to 113°F (-20°C to 45°C)
Ambient Operating Humidity	Dry and Damp Certified

Installation

Line Voltage	Yes, 120V-277V with Shunted or Non-Shunted R17D socket
Ballast Installation	NOT for use with ballasts or LED drivers.

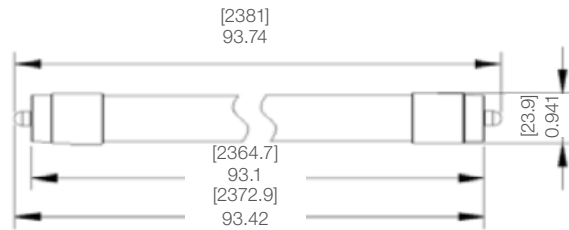
Certifications & Qualifications

UL (US and Canada)	Classified (UL1598-C)
FCC****	Complies with Parts 15A/B
RoHS Compliant	Contains no lead or mercury
LM79, LM80, IES Files	Available.
DesignLights Consortium Listed	No category

Warranty

Warranty	5 years
----------	---------

Product Dimensions



Application Notes

Lunera Universal Tombstone Technology (UTT) integrated in the Double Recessed Contact (R17d) version of this lamp allows installation into Shunted and Non-Shunted R17d sockets.

Lamp installation in the following conditions and applications voids the product warranty:

- Line voltage above 277VAC
- LED Drivers or with a ballast
- Gasketed, fully enclosed fixtures
- Installation in wet environments
- Installation in broken, cracked, dirty or rusted tombstones
- Improper wiring to the tombstones/lamp

* Total Power equals lamp power because the ballast has been bypassed or removed.

** Universal Tombstone Technology (UTT) is integrated electronics that makes a ballast bypassed T-LED double-ended. UTT T-LEDs are safe to handle and install about 50% faster because they are compatible with both Shunted and Non-Shunted Double Recessed Contact R17d sockets.

*** P.E.T. ShatterGuard version of the Lunera T8 LED is NSF Certified (shatter proof / resistant).

**** Operation is subject to the following conditions:
(1) this device may not cause harmful interference, and
(2) this device must accept any interference received, including interference that may cause undesired operations

CAUTION

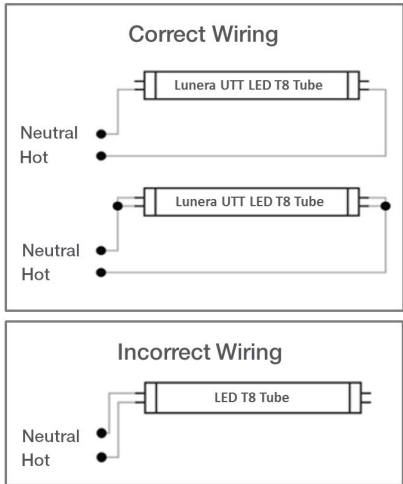
Turn power off when installing the lamp.

CAUTION - IF THE LAMP OR LUMINAIRE EXHIBITS UNDESIRABLE OPERATION (BUZZING, FLICKERING, ETC.), IMMEDIATELY TURN OFF POWER, REMOVE LAMP FROM LUMINAIRE AND CONTACT MANUFACTURER.

Double-Ended Electrical Connection

Lunera UTT T8 LED driven by 120V/277V 60Hz AC

UTT



Socket Type

Double Recessed Contact (R17d)

Shunted or Non-Shunted
(Double-Ended Installation)

