



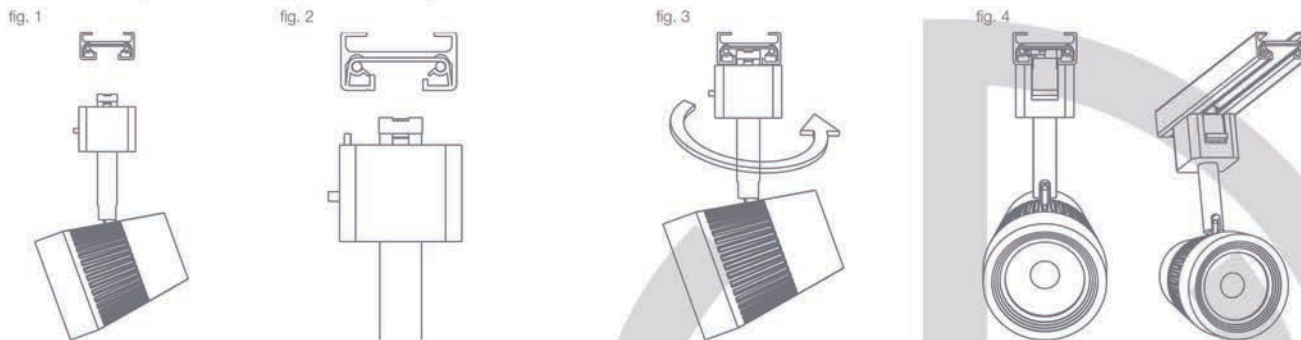
TRACK INSTALLATION GUIDE – L TYPE

1. Make sure the lamp adaptor is a L type and compatible with the L track system (fig. 1).
2. Insert the head of adaptor into the slot of the track rail making sure the locking tab is parallel to the track's polarity line (fig. 2).
3. While holding the adaptor up to the track, push the fixture upward, then twist the body of the fixture 90 degrees until the locking tab on the adaptor snaps into the track groove (fig. 3).

Note: the ground pin needs to be touching the grounding pin (fig. 4).

The adaptor only rotates in one direction. Do not forcefully rotate the adaptor in the wrong direction as it may damage it.

This fixture can only be used in a single circuit track system.



Removing the lamp:

1. While holding the fixture in place, gently twist the fixture 90 degrees until it can easily be removed from the track groove.

INTERCHANGEABLE LENS GUIDE

1. Unscrew and remove the lens cap (fig. 1).
 2. Do not touch the top surface of the LED with bare hands or hard objects.
 3. Remove the existing lens (fig. 2).
- Note: The degree angle of each lens is marked in small font on the outer edge.
4. Place the new lens in the lens cup and align the indent in the lens with the protruding area on the lens cup's rim (fig. 3).
 5. Place the lens cap back onto the fixture and screw on until secure (fig. 4).

