

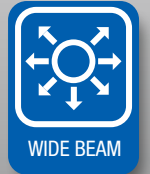
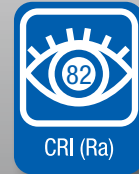
RETROFIT KIT 30W HE 2X4'



PRO



- ⌚ Easy 3-5 minutes installation
- ⌚ Universally compatible to upgrade 2x4' troffer and louver
- ⌚ Exceptional efficacy 143 LPW
- ⌚ 120-277V circuit and 0-10V dimming control compatible
- ⌚ High performance lighting distribution and low glare lens
- ⌚ Extra long 100,000 hour lifetime

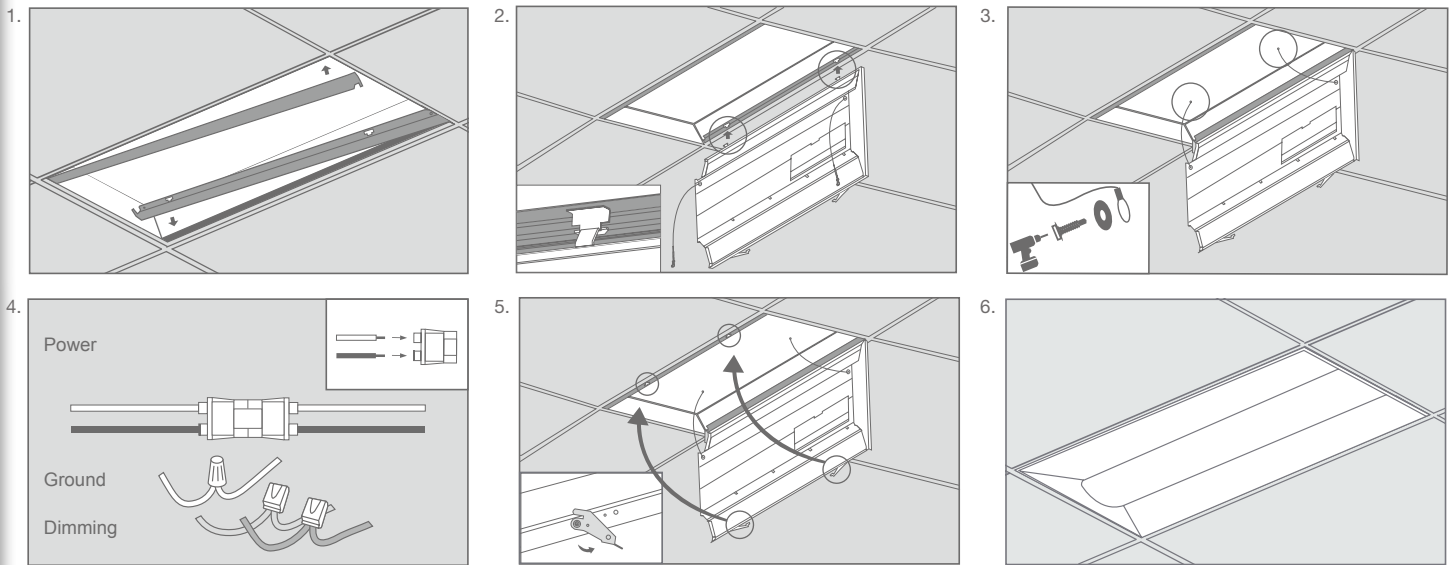


EFFICIENCY AT WORK



RETROFIT KIT 30W HE 2X4'

INSTALLATION GUIDE



RETROFIT KIT INSTALLATION

- Step 1.** Make sure the **POWER IS TURNED OFF** at the source to the location at which you are installing the product.
- Step 2.** Remove existing lamps, door frame (if applicable), reflector and ballast cover.
- Step 3.** Gently lift the original luminaire housing and slide in both side mounting brackets between the housing and the T-grid. (fig. 1)
- Step 4.** Hang the retrofit kit body by hooking the T-hinges into the respective slots on one of the mounting brackets. (fig. 2)
- Step 5.** Attach the safety cables to the original luminaire housing using the self-tapping hex head screws and washers provided. (fig. 3)
- Step 6.** Connect the retrofit kit power to the AC power. Connect the power supply to the retrofit kit. (fig. 4)
- Step 7.** Close the retrofit kit by pushing it up and securing both latches. (fig. 5)
- Step 8.** Return power back to the source and installation is complete. (fig. 6)

SPECIFICATIONS

Product	28341	28342	28343
Model	30TROFKIT24DIM/830/277V	30TROFKIT24DIM/835/277V	30TROFKIT24DIM/840/277V
Type	2x4' Troffer Retrofit Kit	2x4' Troffer Retrofit Kit	2x4' Troffer Retrofit Kit
Power (W)	30	30	30
Voltage - Frequency	120-277V 50-60Hz	120-277V 50-60Hz	120-277V 50-60Hz
Color Temp. (ANSI)	Warm White 3000K	Neutral White 3500K	Cool White 4000K
CRI (Ra)	82	82	82
Typical lumens (lm)	4200	4200	4300
Efficacy (LPW)	140	140	143
Beam Angle	120°	120°	120°
Dimmable	Yes	Yes	Yes
Power Factor	0.9	0.9	0.9
THD	<20%	<20%	<20%
Rated Lifetime - L70 (hrs.)	100,000	100,000	100,000
Rated Lifetime - L90 (hrs.)	44,000	44,000	44,000
L x W x H (w/ brackets)	47.83"x23.94"x2.76"(1215x608x70mm)	47.83"x23.94"x2.76"(1215x608x70mm)	47.83"x23.94"x2.76"(1215x608x70mm)
L x W x H (w/o brackets)	46.77"x20.59"x2.76"(1188x523x70mm)	46.77"x20.59"x2.76"(1188x523x70mm)	46.77"x20.59"x2.76"(1188x523x70mm)
Weight (lb. / g)	18.83lb. / 8.54kg	18.83lb. / 8.54kg	18.83lb. / 8.54kg

* Suitable for damp locations. Not for use where directly exposed to the weather or water

RETROFIT KIT 30W HE 2X4'



PRODUCT ORDERING INFORMATION

Must Select				Options (Factory Installation): Select or Leave Blank		
Power	CRI	CCT	Voltage	Step Dimming	Sensor	EM Backup
30TROFKIT24DIM 30W	8 82	30 3000K	277V 120-277V	(Blank) None	(Blank) None	(Blank) None
		35 3500K		STEPDIM Step Dimming 100/50	OCCDIM Microwave Sensor	EM 10W EM Backup
		40 4000K				

Ex. 30TROFKIT24DIM/840/277V/OCCDIM/EM

ACCESSORY ORDERING INFORMATION

Model	Product	Description
SENSORRC	97881	Remote Control for OCCDIM