

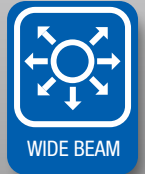
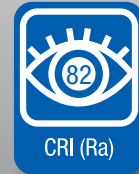
TROFFER 25W HE 2X2' TITANIUM LED SERIES



PRO



- ⌚ Exceptional efficacy 144 LPW
- ⌚ High performance lighting distribution and low glare lens
- ⌚ 120-277V circuit and 0-10V dimming control compatible
- ⌚ Modern look and high quality architectural finish
- ⌚ Easy installation for new construction or retrofit
- ⌚ Extra long 100,000 hour lifetime



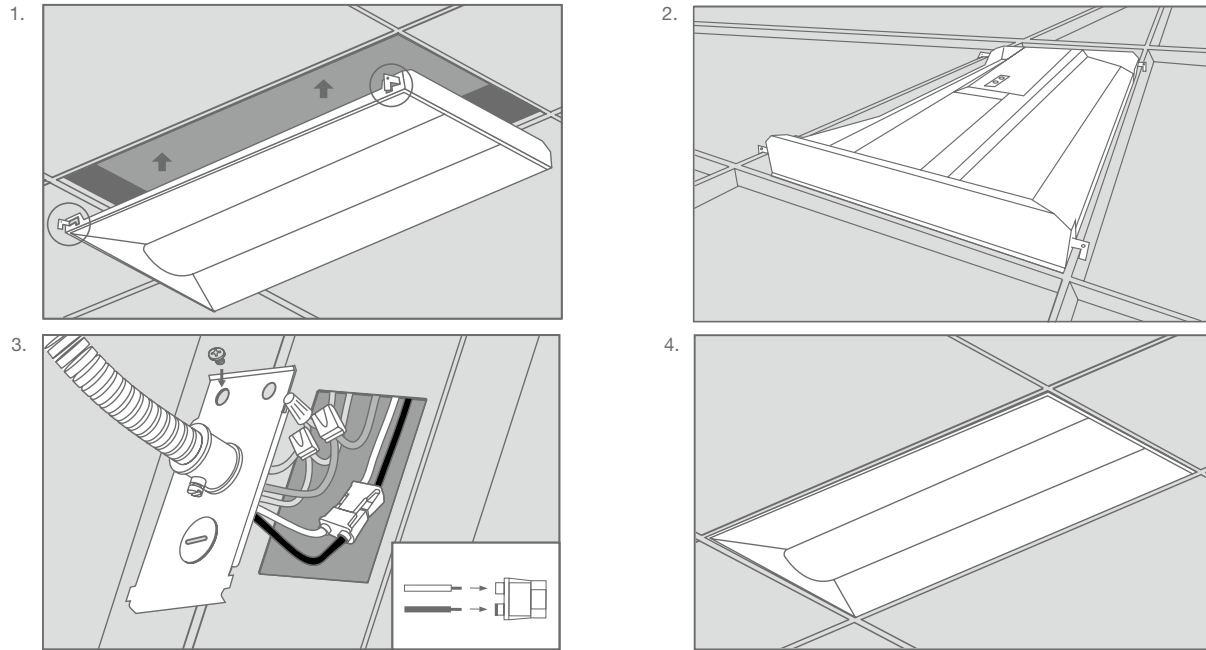
EFFICIENCY AT WORK



TROFFER 25W HE 2X2¹ TITANIUM LED SERIES



INSTALLATION GUIDE



TROFFER INSTALLATION

- Step 1.** Make sure the **POWER IS TURNED OFF** at the source to the location at which you are installing the product.
- Step 2.** Remove existing troffer if applicable.
- Step 3.** Pull L tabs out on each corner. (fig. 1)
- Step 4.** Place troffer in ceiling making sure each L tab is securely hooked on T-bar grid. (fig. 1 & fig. 2)
- Step 5.** Remove power conduit plate. Insert power supply into power conduit plate using appropriate electrical fittings. (fig. 3)
- Step 6.** Return power back to the source and installation is complete. (fig. 4)

SPECIFICATIONS

Product	28329	28330	28331
Model	25TROF22DIM/830/277V	25TROF22DIM/835/277V	25TROF22DIM/840/277V
Type	2x2' Troffer	2x2' Troffer	2x2' Troffer
Power (W)	25	25	25
Voltage - Frequency	120-277V 50-60Hz	120-277V 50-60Hz	120-277V 50-60Hz
Color Temp. (ANSI)	Warm White 3000K	Neutral White 3500K	Cool White 4000K
CRI (Ra)	82	82	82
Typical lumens (lm)	3500	3500	3600
Efficacy (LPW)	140	140	144
Beam Angle	120°	120°	120°
Dimmable	Yes	Yes	Yes
Power Factor	0.9	0.9	0.9
THD	<20%	<20%	<20%
Rated Lifetime - L70 (hrs.)	100,000	100,000	100,000
Rated Lifetime - L90 (hrs.)	44,000	44,000	44,000
Dimensions (LxWxH)	23.78" x 23.78" x 2.76" (604x604x70mm)	23.78" x 23.78" x 2.76" (604x604x70mm)	23.78" x 23.78" x 2.76" (604x604x70mm)
Weight (lb. / g)	10.93lb. / 4.96kg	10.93lb. / 4.96kg	10.93lb. / 4.96kg

* Suitable for damp locations. Not for use where directly exposed to the weather or water

TROFFER 25W HE 2X2' TITANIUM LED SERIES



PRODUCT ORDERING INFORMATION

Must Select				Options (Factory Installation): Select or Leave Blank		
Power	CRI	CCT	Voltage	Step Dimming	Sensor	EM Backup
25TROF22DIM 25W	8 82	30 3000K	277V 120-277V	(Blank) None	(Blank) None	(Blank) None
		35 3500K		STEPDIM Step Dimming 100/50	OCCDIM Microwave Sensor	EM 10W EM Backup
		40 4000K				

Ex. 25TROF22DIM/840/277V/OCCDIM/EM

ACCESSORY ORDERING INFORMATION

Model	Product	Description
SENSORRC	97881	Remote Control for OCCDIM