

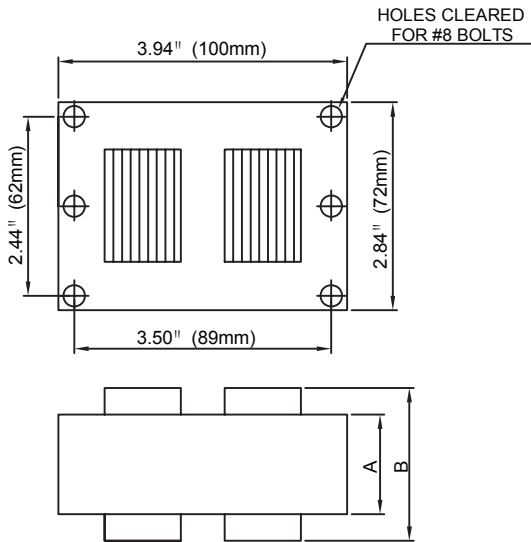
# Plusrite®

**CATALOG NUMBER: BALU150-HX/V4**

**150W S55**

**High Pressure Sodium Lamp Ballast**  
**60 Hz HX-HPF**

**3X4CORE-HX,CWA&CWIUNITS**



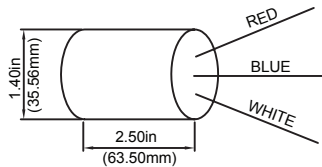
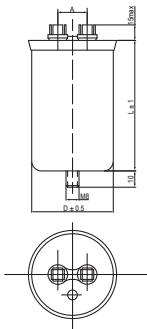
Input Volts		120	208	240	277
Circuit Type	HX-HPF				
<b>REGULATION</b>					
Line Volts	±5%				
Lamp Watts	±10%				
<b>LINE CURRENT( Amps )</b>					
Operating		1.60	0.85	0.80	0.70
Open Circuit		2.80	1.60	1.40	1.25
Starting		1.60	0.85	0.80	0.70
<b>RECOMMENDED FUSE (Amps)</b>					
		7	4	4	4
<b>TEMPERATURE RATINGS</b>					
Insulation Class		H	H	H	H
Coil Temperature Code		D	B	C	C
Benchtop Coil Rise		86.3	79.6	83.9	83.5
Power Factor (Min)	90%				
Input Watts	188 W				
Current Crest Factor	1.50				
<b>NOM. OPEN CIRCUIT VOLTAGE</b>					
	120				
<b>INPUT VOLTAGE AT LAMP DROPOUT</b>					
		95	180	190	225
<b>MIN AMBIENT STARTING TEMP</b>					
	-40°F/-40°C				
<b>60 HZ TEST PROCEDURES</b>					
<b>High Potential Test (Volts)</b>					
1 Minute	2,000 V				
1 Second	2,500 V				
<b>Open Circuit Voltage Test (V)</b>					
	105 - 135				
<b>Short Circuit Current Test (A)</b>					
Secondary Current	Min	3.80			
	Max	4.70			
Input Current	Min	1.20	0.65	0.60	0.50
	Max	1.85	1.00	0.95	0.80
<b>CORE and COIL Specifications</b>					
Dimension A (in)	2.50				
Dimension B (in)	3.80				
Weight (lbs)	7.4				
Lead Lengths (in)	12				
<b>CAPACITOR REQUIREMENT</b>					
Microfarads	14.0 uf				
Volts (Min)	280 V				

**Capacitor:**

Microfarads: 14.0 uf  
Volts (Max): 330 V  
Case Temp(Max): 100°C  
D: 1.65 in  
L: 2.56 in  
A: 0.63 in

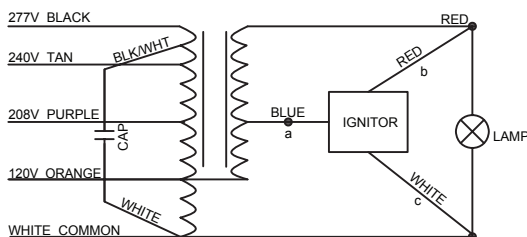
**Ignitor:**

Temp: 105 °C  
BTL : 2 ft



**Wiring Diagram:**

**cRU<sup>®</sup> US RoHS**



**ORDERING INFORMATION**

Data is based upon tests performed by Plusrite in a controlled environment and is representative of relative performance. Actual performance can vary depending on operating conditions. Specifications are subject to change without notice.

Coil material: Cu/Al