

IMPORTANT SAFETY INSTRUCTIONS

- Fixture can NOT be used with a dimmer switch, motion or occupancy sensors and other electronic

switching devices unless otherwise designated.

- To reduce the risk of death, personal injury or property damage from fire, electric shock, falling parts, cuts/abrasions, and other hazards read all warnings and instructions included with and on the the fixture box and all fixture labels.

- Before installing, servicing, or performing routine maintenance upon this equipment, follow these general precautions.

- Commercial installation, service and maintenance of luminaires should be performed by a qualified licensed electrician.

- For Residential installation: If you are unsure about the installation or maintenance of the luminaires, consult a qualified licensed electrician and check your local electrical code.

- DO NOT INSTALL DAMAGED PRODUCT!

- Recycle: For information on how to recycle LED electronic products, please visit www.epa.gov.

- This fixture should not be used in areas with limited ventilation or high ambient temperatures.

- This fixture is intended to be connected to a properly installed and grounded UL listed junction box.

- These instructions do not purport to cover all details or variations in equipment nor to provide every possible contingency to meet in connection with installation, operation, or maintenance. Should further information be desired or should particular problems arise which are not covered sufficiently for the purchaser's or owner's purpose, this matter should be referred to Acuity Brands Lighting, Inc.

WARNING:

⚠ RISK OF ELECTRICAL SHOCK

- Turn off electrical power at fuse or circuit breaker box before wiring fixture to the power supply.

- Turn off the power when you perform any maintenance.

- Verify that supply voltage is correct by comparing it with the luminaire label information.

- Make all electrical and grounded connections in accordance with the National Electrical Code and any applicable local code requirements.

- All wiring connections should be capped with UL approved wire connectors.

⚠ CAUTION: RISK OF INJURY

- Wear gloves and safety glasses at all times when removing luminaire from carton, installing, servicing or performing maintenance.

- Avoid direct eye exposure to the light source while it is on.

- Account for small parts and destroy packing material, as these may be hazardous to children.

⚠ WARNING: RISK OF BURN

- Allow fixture to cool before handling. Do not touch enclosure or light source.

- Do not exceed maximum wattage marked on luminaire label.

- Follow all lamp manufacturer's warnings, recommendations and restrictions for: driver type, burning position, mounting locations/methods, replacement, and recycling.

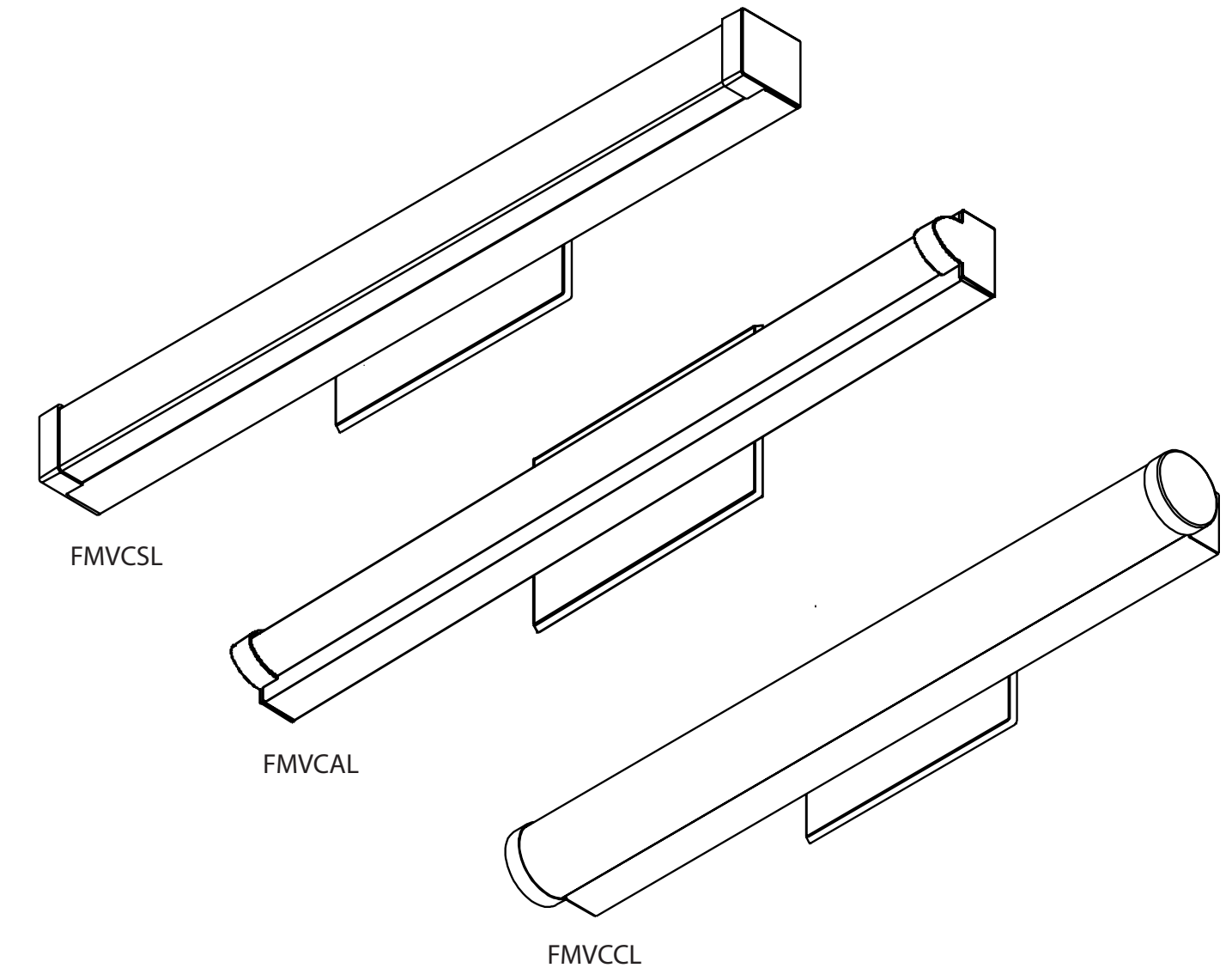
- Use only lamps that comply with ANSI standards.

⚠ CAUTION: RISK OF FIRE

- Keep combustible and other materials that can burn away from luminaire and lamp/lens.

- Minimum 90° C supply conductors.

FMVC Series Vanity Diffuser Replacement



Model Number / Número de Modelo / Numéro des modèle

This fixture can be Wall Mounted or Ceiling Mounted



Protect yourself. Before installing, read these instructions carefully and save them for future reference.
Date Installed: _____

INSTALLATION FIGURES



Description	Quantity
1) Mounting Plate	1
2) 1/2" Screws	4
3) Wirenuts	3
4) Canopy	1
5) Backplate Assembly	1
6) 1/4" Flat Head Screws	2
7) Housing Assembly	1
8) Green Ground Wire	1
9) Spacer	2
10) Endcap Mounting Screws	4
11) Endcap	2
12) Diffuser *	1

* Contained in Part Packs
Mounting Hardware
Included

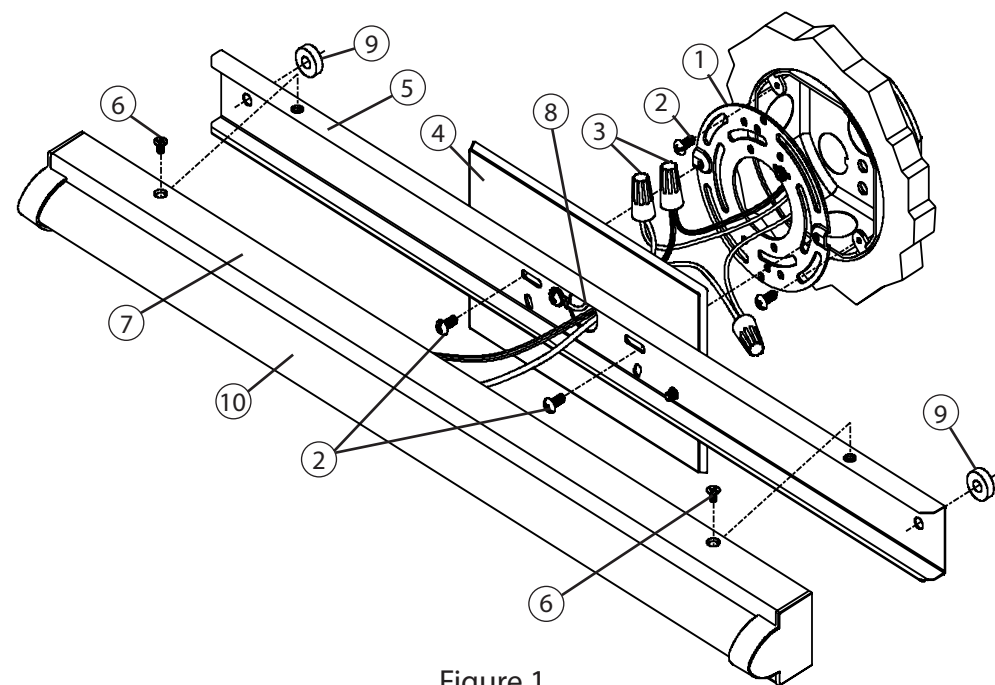


Figure 1

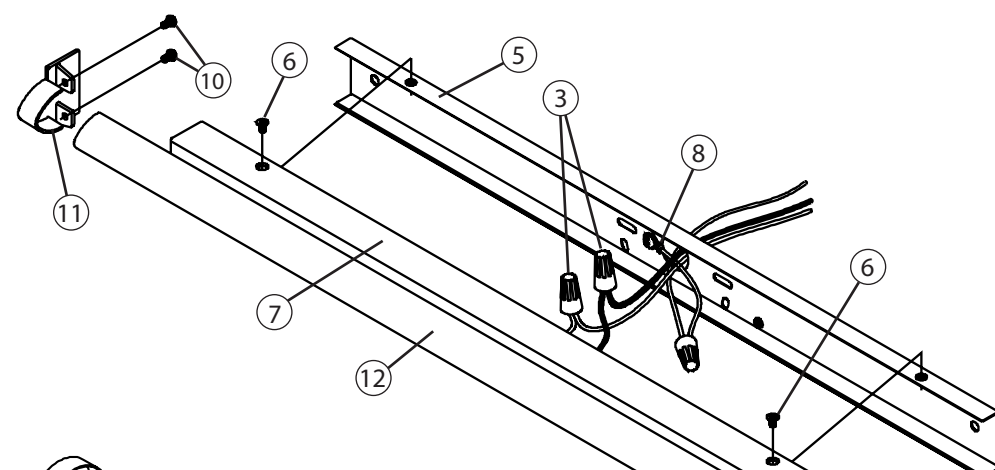


Figure 2

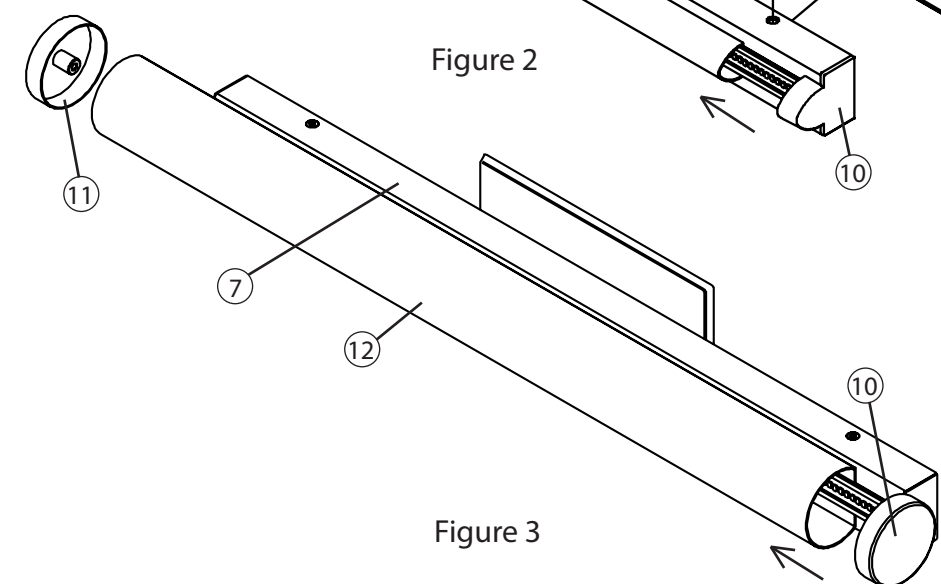


Figure 3

STEP-BY-STEP

1. Remove Diffuser from the its carton and check for any shipping damage.

Note: TURN OFF POWER AT CIRCUIT BREAKER BOX !

WIRING AND FIXTURE OPERATION CAUTION:
Connect fixture to supply wires rated for at least 90°C
(194°F)

Assistance may be required to support fixture during installation.

For FMVCL & FMCSL models:

2. Remove two 1/4" Flat Head Screws (6) and separate the Housing Assembly (7) from the Backplate (5). See Fig. 1.
3. Access the rear of the Housing (7) and remove two Endcap Mounting Screws (10) holding one of the Endcaps (11) in place. Slide the Endcap (11) off of the Housing (7). See Fig. 2.
4. Remove the damaged Diffuser (12) from the Housing (7) by sliding it off the Housing extrusion. See Fig. 2.
5. Carefully slide the new Diffuser (12) onto the extrusion along the face of the Housing (7) until the leading edge enters the attached Endcap (11) . See Fig. 2.
6. Re-install the Endcap (11) to cover the exposed end of the Diffuser (12) and align the mounting holes. Re-insert the two Endcap Mounting Screws (10) and tighten. FIG. 2.
7. Without pinching the wires, position the Housing Assembly (7) over the Backplate (5) with the mounting holes aligned. Insert Flat Head Screws (6) and tighten.
8. Turn on power at the circuit breaker box and verify that fixture functions properly.

For FMVCLL models:

2. Unscrew one of the round Endcaps (11) and remove it from the Diffuser (12). See Fig. 3
3. Remove the damaged Diffuser from the Housing (7) by sliding it off the Housing extrusion. See Fig. 3
4. Carefully slide the new Diffuser (12) onto the extrusion along the face of the Housing (7) until the leading edge enters the attached Endcap (11) . See Fig. 2.
5. Re-install the Endcap (11) to cover the exposed end of the Diffuser (12). Center the Endcap (11) over the exposed mounting stud and screw it into position.
6. Without pinching the wires, position the Housing Assembly (7) over the Backplate (5) with the mounting holes aligned. Insert Flat Head Screws (6) and tighten.
7. Turn on power at the circuit breaker box and verify that fixture functions properly.

Trouble Shooting Guide

If this fixture fails to operate properly, use the guide below to diagnose and correct the problem.

- Verify that fixture is wired properly.
- Verify that fixture is grounded correctly.
- The line voltage at the fixture is correct.

If further assistance is required, contact:

Technical Support at: (800) 748-5070

This LED light provides low maintenance service with no bulbs to change. Clean surfaces with a damp cloth. Do not use abrasive materials such as scouring pads or powders, steel wool or abrasive paper.