

LUNERA MH LED HORIZONTAL

145W-82W LED Replacement for Metal Halide Lamps

Type A - Ballast Driven

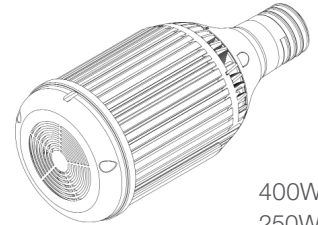
Description

The **LUNERA MH LED HORIZONTAL** lamp is a plug-and-play (Type A, ballast driven) horizontally oriented, LED replacement for Metal Halide (MH) lamps with a mogul (E39) base. This lamp replaces 400W~175W MH lamps and delivers up to 14,800 lumens of beautiful LED light and is ideal for wall packs and shoe box fixtures.

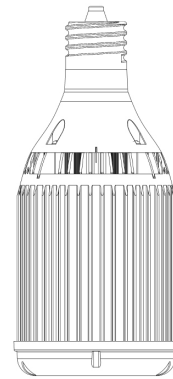
Proprietary BallastLED technology makes these lamps truly plug-and-play by allowing them to operate directly off of the existing CWA MH ballasts. Simply change the lamp with no additional fixture or socket re-wiring required.

The LUNERA MH LED HORIZONTAL is available in a range of color temperatures including 3500K, 4000K and 5000K.

It is rated at 50,000 hours and is backed by a five-year warranty. It contains no mercury allowing for non-hazardous waste disposal.



400W/320W/
250W/175W
Clear Lens



400W/320W/
250W/175W
Clear Lens

Features

- Directly replaces 400W/320W/250W/175W horizontal Metal Halide (MH) lamps with 145W ~ 72W LED
- Type A (ballast driven) Installation; supports existing CWA MH ballast
- Delivers up to 14,800 (145W) / 12,800 (130W) / 9,200 (92W) / 7,900 (82W) lumens of usable light > 80CRI
- 3500K, 4000K and 5000K
- Works well in enclosed fixtures
- Supports E39/EX39 mogul base HID sockets
- Thermal IQ supports ambient temperatures up to 150°F
- 50,000 hours to L70 lifespan
- Five year warranty



Ordering Information

Example: SN-H-E39-400W-320W-4000-G2

Series	Version	Socket Type	Lamp Wattage Replaced	CCT	Generation
SN Lunera MH LED	H Horizontal	E39 Fits in mogul (E39) base MH socket	400W-320W 400W (M59) / 320W (M132) 250W-175W 250W (M58) / 175W (M57)	3500: 3500K 4000: 4000K 5000: 5000K	G2 2nd Generation

PROJECT	CONTACT	MODEL NO.
REFERENCE NO.	QUANTITY	DATE

Product Specifications - Horizontal Mount Lamp - 400W - 320W Version

	Driven by 400W (M59) Ballast	Driven by 320W (M132) Ballast
Illumination		
Color Temperatures	3500K, 4000K, 5000K	3500K, 4000K, 5000K
Lumens	Up to 14,800lm	Up to 12,800lm
Color Consistency	Lunera TruColor LED Selection	Lunera TruColor LED Selection
Lumen Maintenance (L70)	50,000+ hours life	50,000+ hours life
Electrical System		
Input Voltage*	CWA MH ballast	CWA MH ballast
Lamp Power	145W	130W
Lamp Wattage Replaced	400W	320W
Ballast Types Supported	M59, M128, M135, M155	M131, M132
System Power**	189W	167W
Dimming	Contact Lunera for Compatibility	Contact Lunera for Compatibility
Physical		
Dimensions (H x W)	9.4" x 8.3"	9.4" x 8.3"
Weight	2.5 lbs	2.5 lbs
Housing and Finish	Painted	Painted
Lens	Clear	Clear
Environment		
Ambient Temperature***	-40°F to 150°F	-40°F to 150°F
Humidity Rating	Damp OK, no direct water spray	Damp OK, no direct water spray
Fixture Type	Open or enclosed	Open or enclosed
Installation		
Socket Type	Fits horizontal mount mogul base (E39/EX39) MH socket	Fits horizontal mount mogul base (E39/EX39) MH socket
Certifications & Qualifications		
UL (US and Canada)	Recognized	Recognized
RoHS Compliant	Contains no lead or mercury	Contains no lead or mercury
LM79, LM80, IES Files	Available. Contact Lunera.	Available. Contact Lunera.
DesignLights Consortium Listed	No DLC Category	No DLC Category
Warranty		
Warranty	5 years	5 years

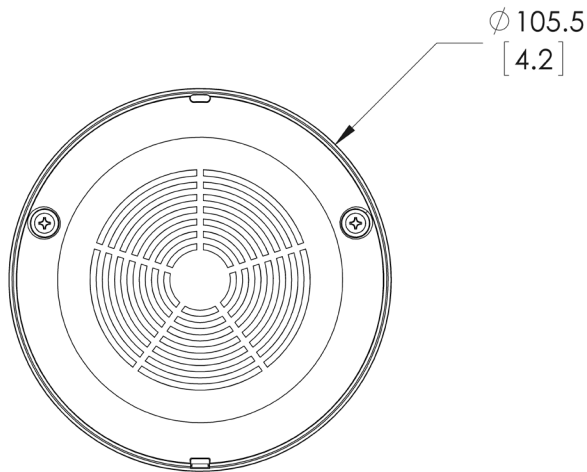
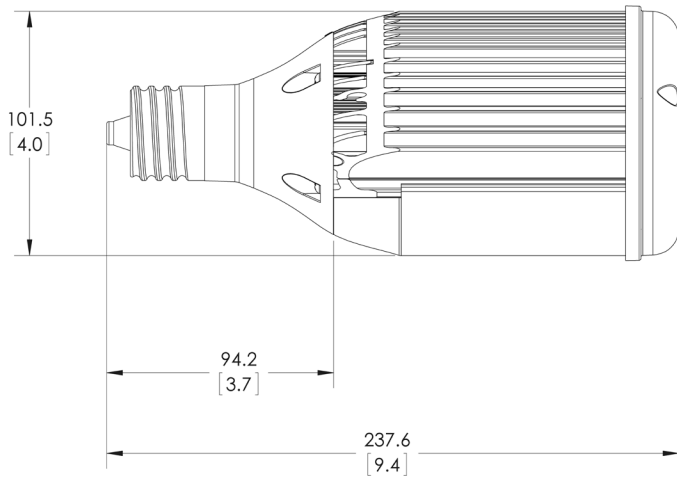
* Do NOT install this lamp into line voltage or with a LED driver.

** System Power equals lamp power + ballast power.

*** Thermal IQ is a proprietary Lunera technology, which enables the LUNERA MH LED HORIZONTAL lamp to operate reliably up to 150°F ambient by dimming itself at extreme temperatures based upon thermal characteristics of the fixture in which it has been installed.

Product Dimensions

Measurements are rounded up. Dimensions are shown in millimeters. Please contact your Lunera representative for exact dimensions.



Application Notes

This product is NOT rated for direct installation into line voltage.

This lamp is compatible with Metal Halide (400W, 320W, 250W, and 175W) ballasts.

Do NOT install this lamp with High Pressure Sodium, High-reactance ballasts, or LED drivers.

This lamp is suitable for installation into open or fully enclosed fixtures.

CAUTION

- These lamps are NOT approved for use with line voltage.
- Turn power off prior to lamp installation