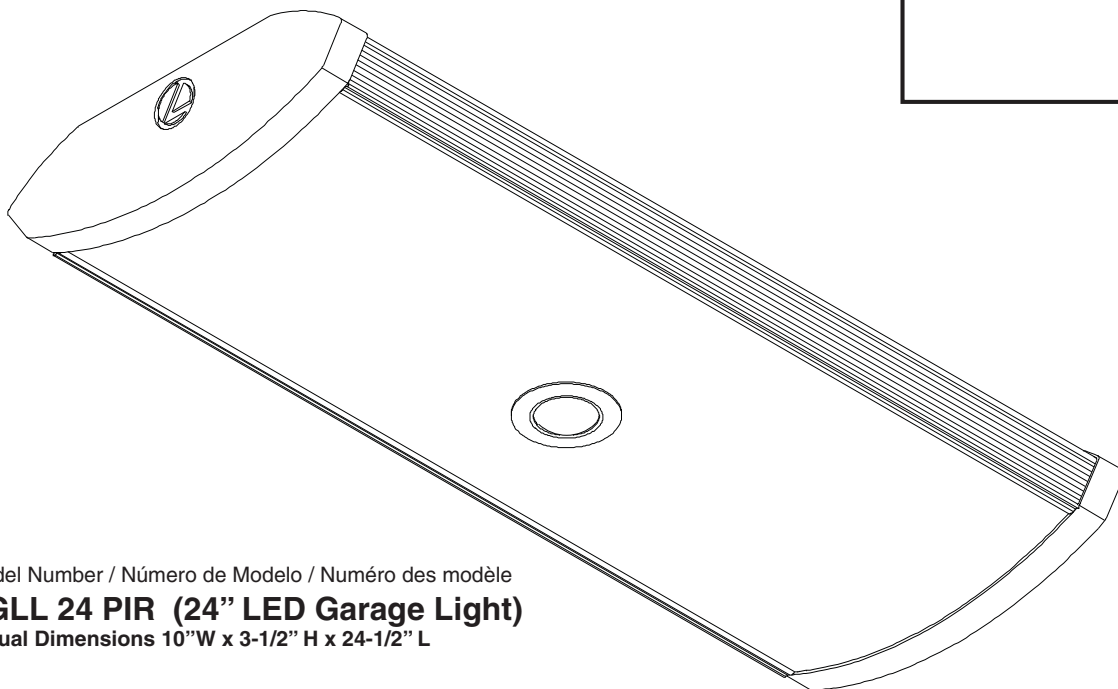


INSTALLATION INSTRUCTIONS

LED Garage Light

*Model number noted on carton label

5-YEAR LIMITED PRODUCT WARRANTY
Visit www.acuitybrands.com to view the terms and conditions of your Acuity Brands Lighting, Inc. limited warranty.



Model Number / Número de Modelo / Numéro des modèle
SGLL 24 PIR (24" LED Garage Light)
Actual Dimensions 10"W x 3-1/2" H x 24-1/2" L

The Motion Detector's infrared sensor detects small temperature changes caused by the motion of people within its detection zone and turns on light automatically.

The light will remain on as long as there is movement within the detection zone. Maximum delay time is 10 minutes and minimum is 1 minute.

Detection coverage: 360°

Detection Distance: For typical Ceiling mount installation- up to 30'(9m) detection range.

Protect yourself. Before installing, read these instructions carefully and save them for future reference.

Date Installed: _____

TOOLS REQUIRED FOR INSTALLATION

- Safety glasses
- Drill with 1/8" drill bit
- Phillips screwdriver
- Pencil
- Hammer
- Pliers
- Ruler
- Wire Strippers
- Flat blade screwdriver

IMPORTANT SAFETY INSTRUCTIONS

- Fixture can NOT be used with a dimmer switch, or other electronic switching devices unless otherwise designated.
- To reduce the risk of death, personal injury or property damage from fire, electric shock, falling parts, cuts/abrasions, and other hazards read all warnings and instructions included with and on the the fixture box and all fixture labels.
- Before installing, servicing, or performing routine maintenance upon this equipment, follow these general precautions.
- Commercial installation, service and maintenance of luminaires should be performed by a qualified licensed electrician.
- For Residential installation: If you are unsure about the installation or maintenance of the luminaires, consult a qualified licensed electrician and check your local electrical code.
- DO NOT INSTALL DAMAGED PRODUCT!
- Recycle: For information on how to recycle LED electronic products, please visit www.epa.gov.
- This fixture should not be used in areas with limited ventilation or high ambient temperatures.
- These instructions do not purport to cover all details or variations in equipment nor to provide every possible contingency to meet in connection with installation, operation, or maintenance. Should further information be desired or should particular problems arise which are not covered sufficiently for the purchaser's or owner's

WARNING: RISK OF ELECTRICALSHOCK

- Turn off electrical power at fuse or circuit breaker box before wiring fixture to the power supply.
- Turn off the power when you perform any maintenance.
- Verify that supply voltage is correct by comparing it with the luminaire label information.
- Make all electrical and grounded connections in accordance with the National Electrical Code and any applicable local code requirements.
- All wiring connections should be capped with UL approved wire connectors.

CAUTION: RISK OF INJURY

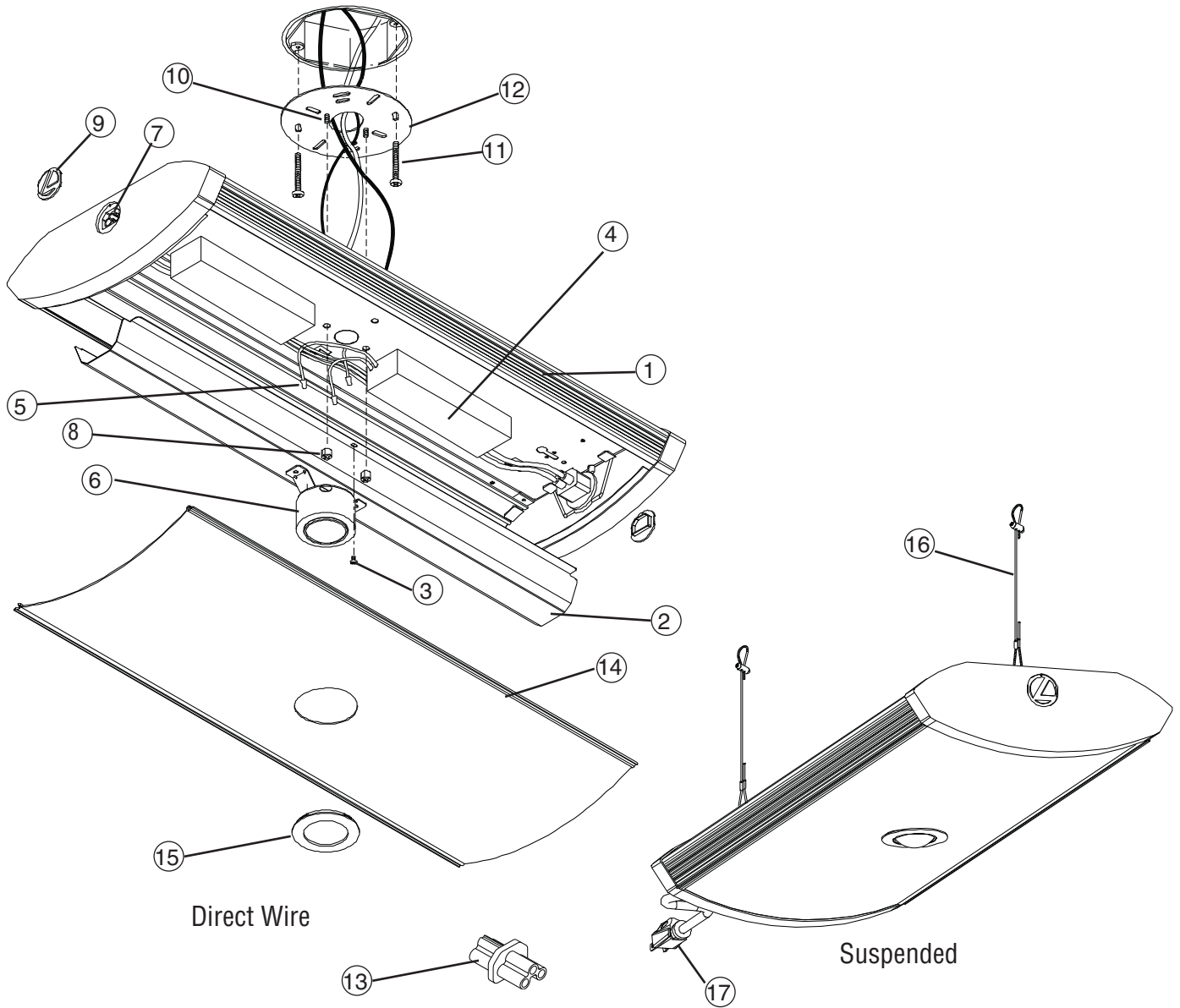
- Wear gloves and safety glasses at all times when removing luminaire from carton, installing, servicing or performing maintenance.
- Avoid direct eye exposure to the light source while it is on.
- Account for small parts and destroy packing material, as these may be hazardous to children.

WARNING: RISK OF BURN

- Allow fixture to cool before handling. Do not touch enclosure or light source.
- Do not exceed maximum wattage marked on luminaire label.
- Follow all lamp manufacturer's warnings, recommendations and restrictions for: driver type, burning position, mounting locations/methods, replacement, and recycling.
- Use only lamps that comply with ANSI standards.

CAUTION: RISK OF FIRE

- Keep combustible and other materials that can burn away from luminaire and lamp/lens.
- Minimum 90° C supply conductors.



FIXTURE PACKING LIST

Description	Quantity
1) Housing Assembly	1
2) Wireway cover	1
3) Wireway cover screw	1
4) LED Driver	1
5) Wire Caps	3
6) PIR sensor.....	1
7) Connector port.....	2
8) Finial*	2
9) Port Cover	2
10) Mounting plate screws*	2
11) 1-1/2" Screws*	2
12) Mounting Plate*	1
13) Row Connector*	1
14) Diffuser	1
15) Diffuser ring	1
16) Cable Assembly*	2
17) Powercord*	1
18) Wirenuts*	3

*Contained in Part Packs
Mounting Hardware Included

PREPARING THE FIXTURE FOR INSTALLATION

Remove fixture components and parts pack(s). Check that all parts are included. See Page 3.

Note: Turn off power at circuit breaker box!

Note: This fixture is capable of being installed to a Junction box and direct wired to incoming power or Suspended from ceiling and use the supplied power cord for power.

Also, multiple units can be linked together (Max. 4 fixtures) using the supplied row connector or the optional linking cord.

Note- if plan to link additional fixture to this base unit, it is critical you orientate the fixture properly before installing. Locate end of fixture with words "Linking Output" above Port Cover (9). This end should be oriented toward linking direction. A maximum of 4 fixtures can be linked together.

(Per Regulatory requirements, one connector port (7) is "Keyed". To insure proper installation of multiple units- Make sure all fixtures are oriented in the same manner.)

You will need to determine which method of installation prior to installing the product

Flush Mount- Direct Wire Method

- 1) With the power turned off at circuit breaker box, position Mounting Plate (12) near the junction box and feed supply wires through center hole, position with installed Screw threads facing outward and rotated to correct fixture orientation. Secure using 1-1/2" Screws (11) provided.
- 2) Remove diffuser (14) from housing (1) near one end of housing, grasp edge of diffuser and carefully squeeze to release diffuser from housing. Continue down length of diffuser to fully disengage.
- 3) To access wire way, Open cover (2) by removing center screws (3) and compressing the sides to dis-engaging from the Fixture Housing (1). Rotate cover open to expose wire way.
- 4) On back of fixture, remove 7/8" knockout at center of fixture by placing straight blade screwdriver on knockout and striking sharply with hammer (Always wear safety glasses when hammering). Remove slug by flexing back and forth with pliers. See Fig 1.

Note: Do not place PIR sensor on surface- sensor could become damaged.

- 5) Lift fixture to ceiling and insert power leads through open hole. Position housing over the two screws (10) on Mounting Plate (12) and secure with finials (8). See Fig 2.

WIRING AND FIXTURE OPERATION CAUTION:

Connect fixture to supply wires rated for at least 90°C (194°F).

- 6) Locate the single Green, White and Black fixture leads. Using Wire strippers, remove the insulating cap (5) from each wire. Strip wires end to expose 3/8"-7/16" of wire. Connect the green ground wire from the fixture to the bare copper ground wire from the junction box using a Wirenut (18). (If house wiring does not include a ground wire, consult your local electrical code for approved grounding methods).

FOR PROPER CONNECTION, PLACE WIRENUT OVER WIRES, TWIST CLOCKWISE UNTIL TIGHT.

- 7) Use Wirenuts (18) to connect black fixture wire to the black power supply wire and white fixture wire to the white power supply wire.
- 8) Bundle wires in tight grouping. Re-install wire way cover (2)- rotate upward and snap back into place. Install screw (3) to secure. (Note: make sure wires are not pinched between housing and wire way cover).

PIR Sensor Adjustment

- 9) Prior to installing diffuser (14)- need to adjust time delay on PIR sensor (6). Maximum delay time is 10 minutes and minimum is 1 minute. The light will remain on as long as there is movement within the detection zone. Once zone is vacated, the delay time determines how long light will remain on. To increase the amount of time the fixture will remain illuminated, rotate knob toward the "+" symbol on the module- See Fig. 3

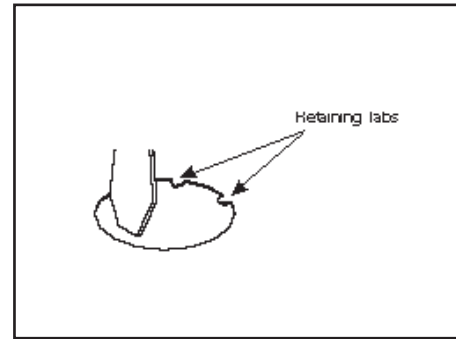


Figure 1

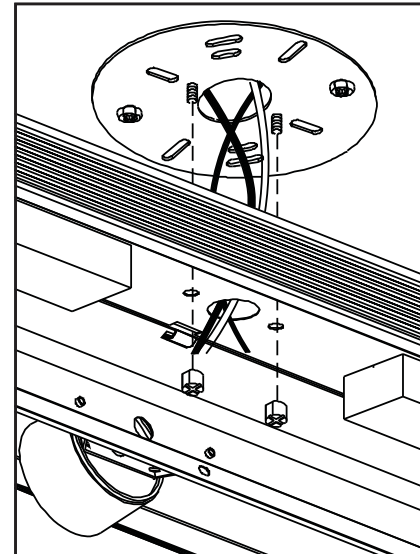


Figure 2

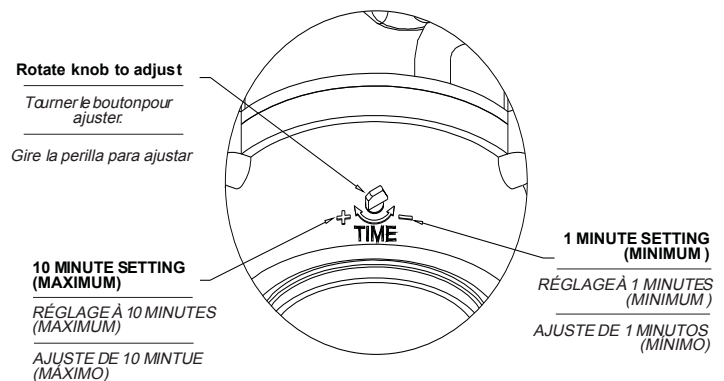


Figure 3

10) To install diffuser (14) - starting at one end of housing, insert diffuser slot onto edge of housing- Carefully squeeze diffuser to engage opposite side with housing. Continue this action down length of diffuser until fully installed onto housing.

If using only one fixture- skip to Step 20. If there are other fixtures to be installed on this chain- proceed with next steps.

Installing next fixtures in chain

(Note will require (2) #10 wood screws or (2) 3/16" toggle bolts- not supplied)

As noted above, locate end with words "Linking Output Max 4 fixtures" on previously installed fixture, this is your connection point to connect new fixture in chain. - See Fig 4

11) To remove plug cover (9)- gently insert flat blade screwdriver into slot on either side of cover. Gently pry upward on plug to remove.

12) Insert Row Connector (13) into installed fixture until fully installed.

13) The remaining fixtures in the chain will need to be secured to mounting surface.

14) To mark location for first mounting screw- From the end of the installed fixture, measure 1-7/8" (4.7cm) and mark point on ceiling that is on center with installed fixture.- See Fig 5

From that point, measure 21-1/16" (53.5cm) to next screw location. Place mark on ceiling.

15) Drill 1/8" pilot holes at each location

If drill encounters ceiling joist, install #10 wood screw leaving approximately 3/16" space between head of screw and ceiling.

If drill does not encounter ceiling joist, enlarge hole(s) in ceiling to accommodate the 3/16" toggle bolt and nut. Install toggle bolt leaving approximately 3/16" space between head of screw and ceiling.

16) For fixture to be installed, locate fixture end that says "Power cord input" and remove plug cover.

17) Remove diffuser and open wireway cover (2) - see previous steps 2 and 3. Lift fixture housing to ceiling inserting screw heads into keyhole slots. Slide fixture toward installed fixture and insert row connector into new fixture until fully installed.

18) Tighten screws to secure fixture to ceiling

19) Close wire way cover (2), adjust PIR sensor (6) and install diffuser (14)- see previous steps 8-11. Once all fixtures have been installed- reinstall Port covers (9) on any open fixture ports.

20) Turn on electricity at fuse or circuit breaker box and verify success of installation.

Suspended Mount Installation

1) Install two hooks (not supplied) in ceiling.

2) To Install power cord to (17) fixture- Locate end of fixture noted "Power Cord Input" and remove Logo plug (9) to expose power cord port. -See Fig 6

3) To remove plug cover (9)- gently insert flat blade screwdriver into slot on either side of cover. Gently pry upward on plug to remove.

4) Unbundle power cord (17) and plug fitting into end of fixture.

Note: Maximum distance to electrical outlet is determined by the length of the power cord provided.

5) If using open style hook- Place adjustable end of cable assemblies onto ceiling hooks- (see Fig. 7).

If using closed style hook- Slightly loosen screws on cable assembly (do not remove screws) and remove short end of cable from locking ferrel and thread through hook opening. Re-insert cable back into locking ferrel and tighten screws securely. (see Fig. 8)

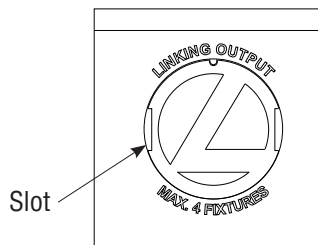


Figure 4

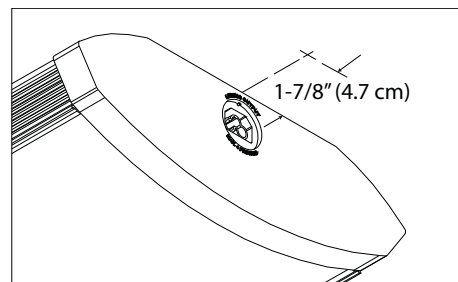


Figure 5

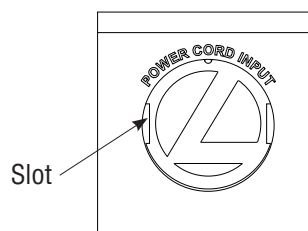


Figure 6

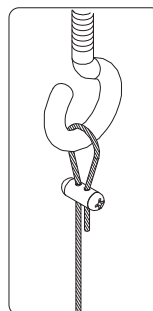


Figure 7

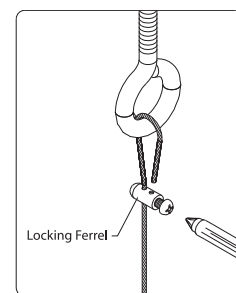


Figure 8

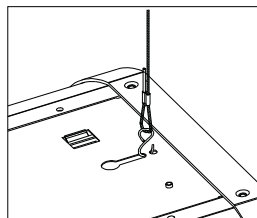


Figure 9

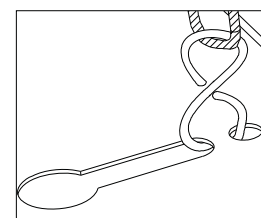


Figure 10

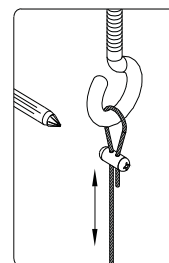


Figure 11

- 6) While supporting fixture assembly, attach "S" hooks (4) to housing. Slide hooks through openings on top of Housing (1) and crimp both ends of hook.-(See Figs.9 and 10)
- 7) To adjust fixture height- locate screws at end of cable. (See Fig. 11)
While supporting fixture assembly, slightly loosen screws- (do not remove screws). Adjust cable to desired fixture height. Tighten screws securely.
- 8) Plug in power cord (17).

Trouble Shooting Guide

If this fixture fails to operate properly, use the guide below to diagnose and correct the problem.

Verify that fixture is wired properly.

Verify that fixture is grounded correctly.

The line voltage at the fixture is correct.

If further assistance is required, contact:

Technical Support at: (800) 748-5070.

This LED light provides low maintenance service with no bulbs to change. Clean surfaces with mild soap and water. Do not use abrasive materials such as scouring pads or powders, steel wool or abrasive paper.