

FEATURES & SPECIFICATIONS

INTENDED USE

Provides general illumination in residential and light commercial applications. Ideal for use in workshops, utility rooms, and garages.

CONSTRUCTION

Constructed of a metal housing with a polycarbonate shield and decorative plastic end caps. The white polycarbonate lens provides even illumination on surfaces where tasks are performed. Both shoplights are designed for suspended installation via mounting chains. Both can be installed with traditional installation or at a 30° angle to project light onto larger area. Available with 5' white cord and plug. The SHLP 48IN version also includes an on/off rocker switch.

ELECTRICAL

LEDs have a 35,000 hour L70 rated life. Provides a cool color temperature of 4000K with a CRI of 80. Starts reliably down to 0° F.

Model SHLP 36IN 40K 80CRI DNA produces 3000 lumens, Standard input=34 watts, 88 lumens per watt.

Model SHLP 48IN 40K 80CRI DNA produces 3200 lumens, Standard input= 36 watts, 88 lumens per watt.

Actual wattage may differ by +/- 5% when operating at 120V +/- 10%.

Standard with 120V driver (120V, 60Hz).

INSTALLATION

Includes 9 1/2" mounting chains and S-hooks.

LISTINGS

CSA listed to US and Canadian Safety Standards.

WARRANTY

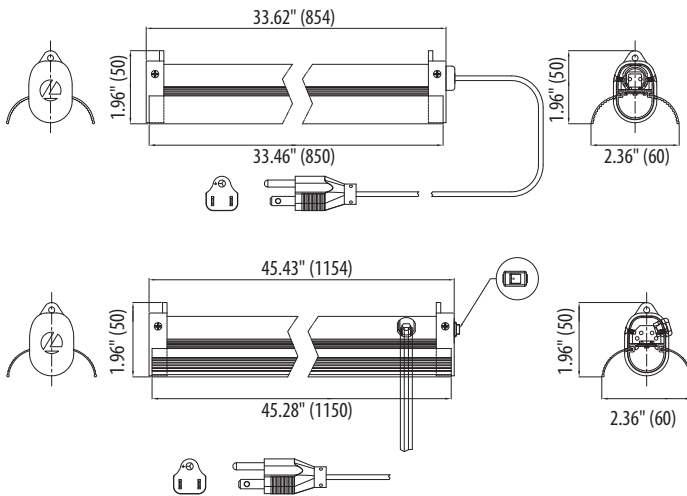
1-year limited warranty. Complete warranty terms located at:

www.acuitybrands.com/CustomerResources/Terms_and_conditions.aspx

NOTE: Actual performance may differ as a result of end-user environment and application.

All values are design or typical values, measured under laboratory conditions at 25 °C.

Specifications subject to change without notice.



Catalog Number
Notes
Type

Indoor General Purpose

LED Shoplight

HIGH-PERFORMANCE LED



ORDERING INFORMATION

For shortest lead times, configure product using **bolded options**.

Example: SHLP 36IN 40K 80CRI DNA

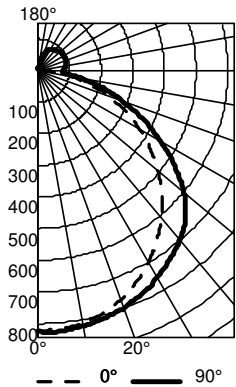
Series	Length	CCT	CRI	Finish
SHLP	36IN 36 inches 48IN 48 inches	40K	80CRI	DNA Natural Aluminum

LED Shoplight

PHOTOMETRICS

Full photometric data report available within 2 weeks from request. Consult factory. Actual performance may differ as a result of end-user environment and application.

SHLP 36IN, test no. ISF33182, tested in accordance to IESNA LM-79.



CP Summary

0°	90°
0°	824 824
5°	820 827
15°	795 811
25°	738 778
35°	655 728
45°	554 660
55°	434 528
65°	306 369
75°	168 212
85°	41 81
90°	5 80

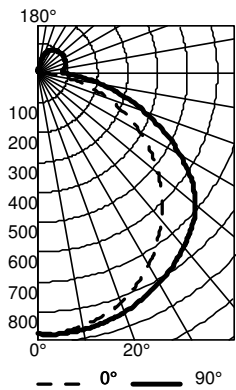
Coefficients of Utilization

pc	20%								
	80%			70%			50%		
pw	70%	50%	30%	50%	30%	10%	50%	30%	10%
0	116	116	116	112	112	112	105	105	105
1	105	100	95	96	92	88	90	87	84
2	95	86	79	83	77	71	78	72	68
3	86	75	66	73	65	58	68	61	56
4	78	66	57	64	56	49	60	53	47
5	72	59	49	57	48	42	54	46	40
6	66	53	43	51	42	36	48	41	35
7	61	47	39	46	38	32	44	36	31
8	57	43	35	42	34	28	40	33	27
9	53	40	31	38	31	25	37	29	25
10	50	36	28	35	28	23	34	27	22

Zonal Lumen Summary

Zone	Lumens	% Lamp	% Fixture
0° - 30°	657	21.1	21.1
0° - 40°	1094	35.2	35.2
0° - 60°	2031	65.4	65.4
0° - 90°	2768	89.1	89.1
90° - 120°	177	5.7	5.7
90° - 130°	234	7.5	7.5
90° - 150°	313	10.1	10.1
90° - 180°	338	10.9	10.9
0° - 180°	3106	100.0	100.0

SHLP 48IN, test no. ISF33184, tested in accordance to IESNA LM-79.



CP Summary

0°	90°
0°	871 871
5°	869 875
15°	841 863
25°	782 832
35°	694 788
45°	585 728
55°	461 629
65°	323 466
75°	176 293
85°	44 137
90°	5 85

Coefficients of Utilization

pc	20%								
	80%			70%			50%		
pw	70%	50%	30%	50%	30%	10%	50%	30%	10%
0	116	116	116	112	112	112	105	105	105
1	105	100	95	97	92	89	90	87	84
2	95	86	79	83	77	71	78	73	68
3	86	75	67	73	65	59	68	62	56
4	79	66	57	64	56	49	60	53	47
5	72	59	50	57	48	42	54	46	41
6	66	53	44	51	43	36	48	41	35
7	61	48	39	46	38	32	44	36	31
8	57	43	35	42	34	28	40	33	27
9	53	40	31	39	31	25	37	30	25
10	50	36	28	36	28	23	34	27	22

Zonal Lumen Summary

Zone	Lumens	% Lamp	% Fixture
0° - 30°	693	21.3	21.3
0° - 40°	1153	35.4	35.4
0° - 60°	2138	65.6	65.6
0° - 90°	2897	88.9	88.9
90° - 120°	189	5.8	5.8
90° - 130°	251	7.7	7.7
90° - 150°	334	10.2	10.2
90° - 180°	361	11.1	11.1
0° - 180°	3257	100.0	100.0

LIGHTING FACTS

Lithonia Lighting

Light Output (Lumens) 2997
Watts 33.4
Lumens per Watt (Efficacy) 89.73

Color Accuracy
 Color Rendering Index (CRI) 80

Light Color
 Correlated Color Temperature (CCT) 4000 (Bright White)

2700K 3000K 4500K 6500K

All results are according to IESNA LM-79-2008: Approved Method for the Electrical and Photometric Testing of Solid-State Lighting. The U.S. Department of Energy (DOE) verifies product test data and results.

Visit www.lightingfacts.com for the Label Reference Guide.

Registration Number: NJSM-4G68O4 (1/4/2017)
 Model Number: SHLP 36IN 40K 80CRI DNA [Upgrade: 1/4/2017]
 Type: Luminaire - Desk/Task

Lithonia Lighting

Light Output (Lumens) 3256
Watts 35.27
Lumens per Watt (Efficacy) 92.32

Color Accuracy
 Color Rendering Index (CRI) 80

Light Color
 Correlated Color Temperature (CCT) 4000 (Bright White)

2700K 3000K 4500K 6500K

All results are according to IESNA LM-79-2008: Approved Method for the Electrical and Photometric Testing of Solid-State Lighting. The U.S. Department of Energy (DOE) verifies product test data and results.

Visit www.lightingfacts.com for the Label Reference Guide.

Registration Number: NJSM-U4F5QI (1/4/2017)
 Model Number: SHLP 48IN 40K 80CRI DNA [Upgrade: 1/4/2017]
 Type: Luminaire - Desk/Task