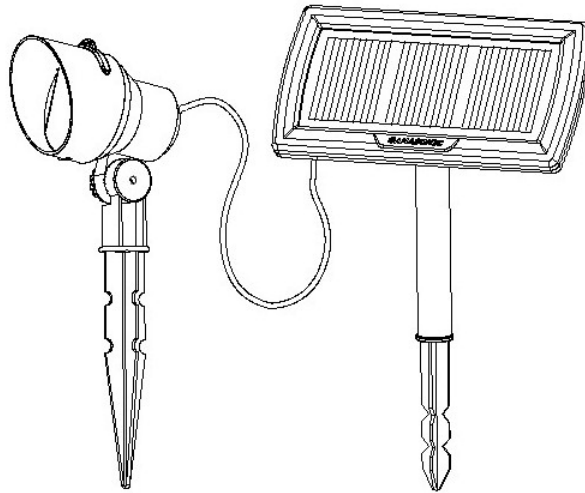




**Solar Spot Light with
Color Lenses**
Instruction Manual

Model: GS-150



Solar Spot Light Location

1. Place the solar spot light in a position where sun will shine directly on the solar panel free from any obstacles and shade.
2. Make sure the solar panel is not going to be affected by any other light source at night. Otherwise the light will not turn ON after dusk.

Assembly Instructions

NOTE: If the ground is hard and packed, moisten the ground with water before inserting the stake to avoid possible damage to the unit.

1. Assemble stake (C) onto part (B) and part (B) onto the solar panel body (A) then tighten the included screw as shown in Fig. 1.
2. Assemble Stake (E) onto part (D) by turning the wing screw (K) provided (Fig. 2).
3. You can choose your desire lens (F) from 4 available color lenses included (Fig. 3) Insert the lens by removing part (G).
4. If you want to use white light skip this step.
5. Connect the wire from the light to the back of the solar panel body (A) by gently pushing the connector and tightening its knob around it.
6. In order to wrap the spare wire take out part (I) by turning it counterclockwise (Fig. 5). Insert the wire coming from the light where it says IN, wrap the spare wire in part (J) and take out the excess wire where it says OUT and connect it to socket as explain in step 4 (Fig. 6).

Fig. 1

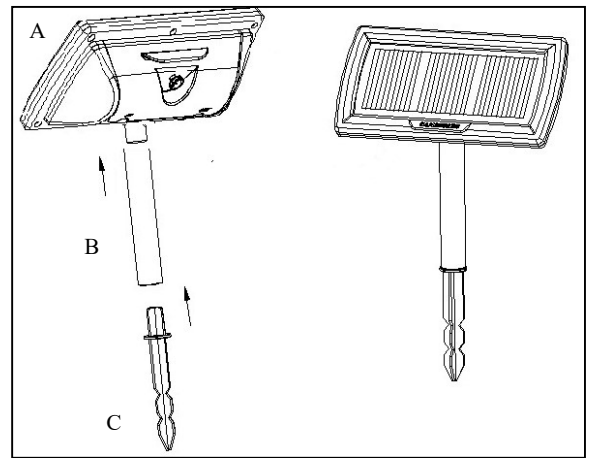


Fig. 2

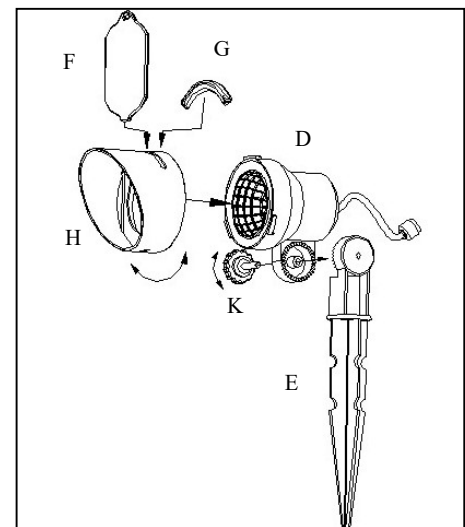


Fig. 3

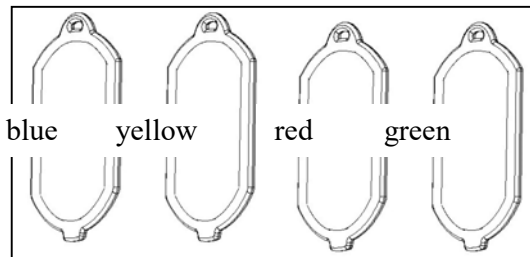


Fig. 4

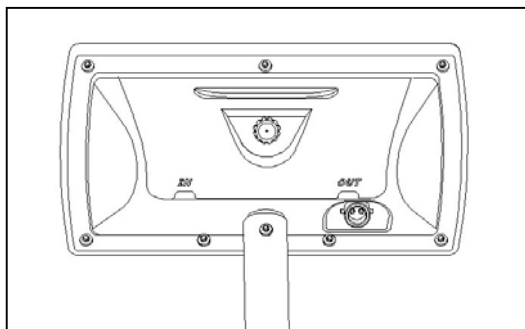


Fig. 6

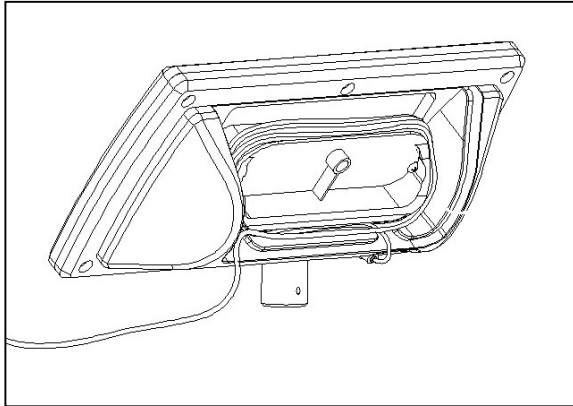
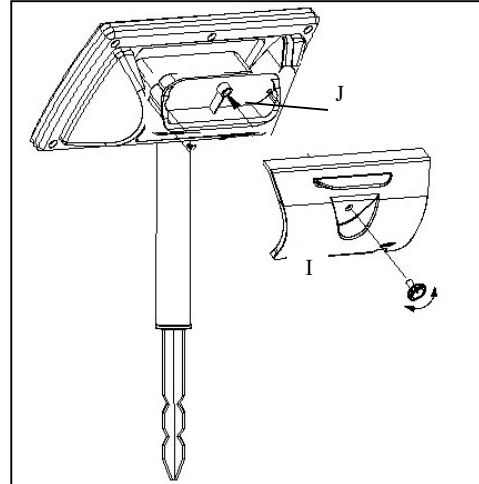


Fig. 5

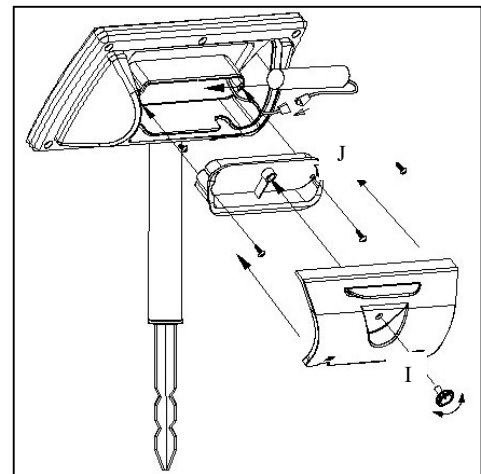


Replacing the Batteries

(After 2-3 years of use, the batteries may need replacing).

1. Take out part (I) located on back of the solar panel body by turning it counterclockwise.
2. Unscrew the 2 screws from part (J) to open the battery compartment. (Fig. 7).
3. Remove the battery pack by unclipping the connector.
Make sure the new battery pack is high quality Li-Ion rechargeable batteries.
4. Connect the new battery pack and place into the battery compartment.
5. Reassemble the unit by reversing the above procedure.

Fig. 7



** Batteries are available at www.gamasonicstore.com

WARNING: Do not dispose of Li-Ion battery in the regular trash, municipal waste stream or by fire as batteries may leak or explode. Do not open, short circuit, or mutilate batteries as injury may occur. Preserve our environment by recycling Li-Ion batteries or disposing of them in accordance with local, State and federal regulations. Do not mix old and new batteries.

Maintenance

Clean the solar panel regularly with a damp towel to guarantee optimum performance of the solar panel. Do not use any type of solvent for cleaning and be careful not to put too much pressure on the module while cleaning.

Trouble Shooting

If your solar charged light does not come on at dusk despite observance of all the instructions, please try the following steps:

1. Make sure that the solar light is not being affected by any other light source.
2. Ensure the solar light is not affected by any shade during the day.
3. Make sure the light is in the 'ON' position.
4. Check that the batteries are installed correctly.

NOTE: The performance of the solar lamp will vary with the time of year. It will deliver more light when it has had a full day of direct sun rather than a day in overcast weather.

WINTERTIME TIPS: For optimal performance, be sure to remove any snow or debris accumulation from the solar panel. A solar panel free of debris will charge the batteries much more efficiently.

WARNING: Please keep out of reach of children.

