



## MaxLite® Vapor Tight ECO Series

### General Safety Information

- To reduce the risk of death, personal injury or property damage from fire, electric shock, falling parts, cuts/abrasions, and other hazards read all warnings and instructions included with and on the fixture box and all fixture labels.
- Before installing, servicing, or performing routine maintenance upon this equipment, follow these general precautions.
- Commercial installation, service and maintenance of luminaires should be performed by a qualified licensed electrician.
- For Residential installation: If you are unsure about the installation or maintenance of the luminaires, consult a qualified licensed electrician and check your local electrical code.
- DO NOT INSTALL DAMAGED PRODUCT!
- This fixture is intended to be connected to a properly installed and grounded UL listed junction box.

#### **WARNING:**

##### **RISK OF ELECTRICALSHOCK**

- Turn off electrical power at fuse or circuit breaker box before wiring fixture to the power supply.
- Turn off the power when you perform any maintenance.
- Verify that supply voltage is correct by comparing it with the luminaire label information.
- Make all electrical and grounded connections in accordance with the National Electrical Code and any applicable local code requirements.
- All wiring connections should be capped with UL approved wire connectors.

#### **CAUTION:**

##### **RISK OF INJURY**

- Wear gloves and safety glasses at all times when removing luminaire from carton, installing, servicing or performing maintenance.
- Avoid direct eye exposure to the light source while it is on.
- Account for small parts and destroy packing material, as these may be hazardous to children.

#### **CAUTION:**

##### **RISK OF FIRE**

- Keep combustible and other materials that can burn away from luminaire and lamp/lens.
- Green ground screw provided in proper location, do not relocate.
- Suitable for dry or damp location, Type IC.
- MIN 90°C SUPPLY CONDUCTORS.

LSVECO-4NU4040

LSVECO-4NU4050



# MaxLite® Vapor Tight ECO Series

## General Wiring Diagram

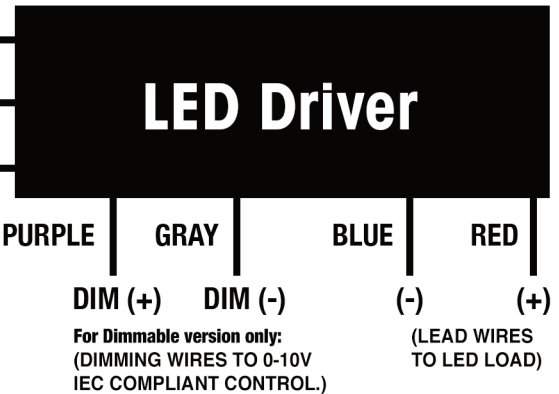
**CAUTION:** Turn off electrical power at fuse or circuit breaker box before wiring fixture to the power supply.

Connecting panels to AC source supply:  
All units must be individually connected to the AC supply. (120-277 VAC)

- Black = Line
- White = Neutral
- Green = Ground

TO SOURCE  
120V-277V

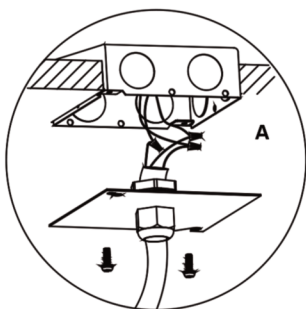
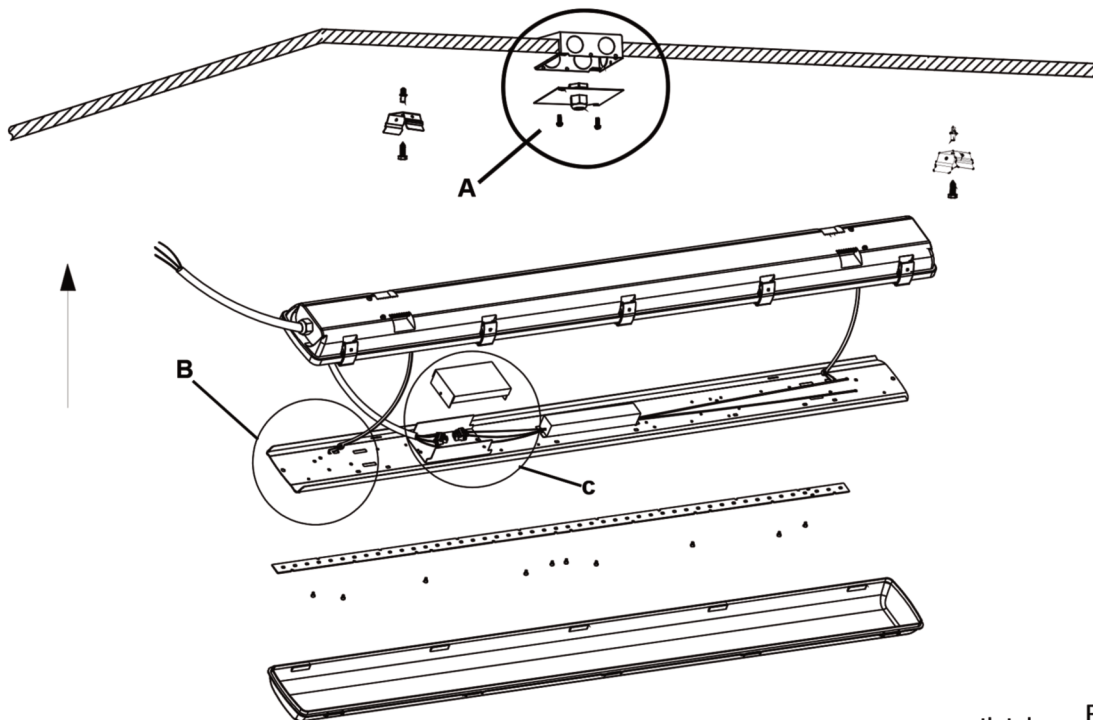
**BLACK (LINE)**  
**WHITE (NEUTRAL)**  
**GREEN (GROUND)**



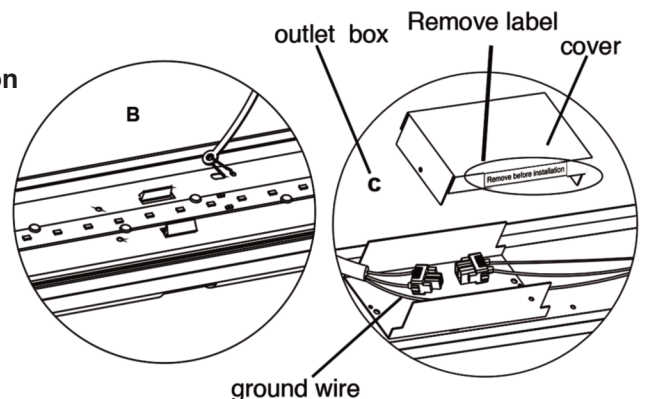
## Installation & Operation

### ⚠ WARNING

Disconnect the power by turning off the circuit breaker or by removing the appropriate fuse at the fuse box. Turning the power off using the light switch is not sufficient to prevent electrical shock.



- Note:**
- Remove cover label before installation
  - Connect the flexible cord (SJTW 18AWG) to the outlet box, and cover the outlet box with the UL listed canopy. Be sure to provide a strain relief means at the canopy side
  - To ensure that the gap is sealed by glue.
  - Be sure to provide with a wet location rated strain relief means





## MaxLite® Vapor Tight ECO Series

### Installation & Operation (Continued)

1. Locate drill holes for mounting brackets. Use hardware found in hardware kit. Mount bracket to surface.
2. Pre-attached lens buckles to housing and Detach LED tray from fixture.
3. Attach body to mounting clips.
4. Locate safety cable when opening to install fixture body and Snap connect tether to gear tray before making electrical connection as shown in Figure B.
5. Connect power to driver through outlet box (Figure C), make sure to snap the cover to the outlet box. Follow general Wiring Diagram on Figure A for reference. Make sure the power supply is disconnected before installing.
6. Reattach LED tray to fixture by reversing step 2.
7. Install lens by using the buckles provided in hardware kit to securely attach lens to body fixture.
8. Restore power.

