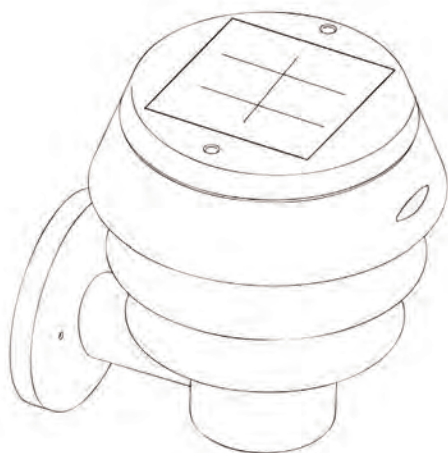




TRIPLE-TIER SOLAR LAMP

Instruction Manual

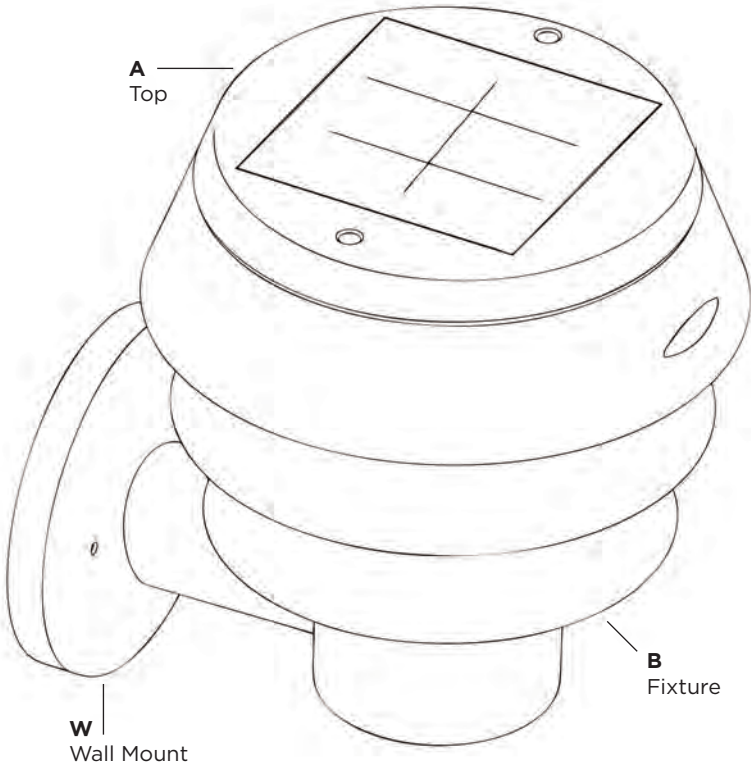
Model: GS-126



What's Inside

Open your package and remove the contents. Check to make sure all pieces are present and accounted for.

GS-126 PARTS



Operation Instructions

1. Remove the top (A) from the fixture (B) by removing the 2 screws as shown in Fig. 1. Turn the operation switch (Fig. 2) to the ON position, and the solar lamp will automatically operate from dusk to dawn.
2. Reattach the top (A) to the fixture (B) and secure with the 2 screws.

FIG. 1

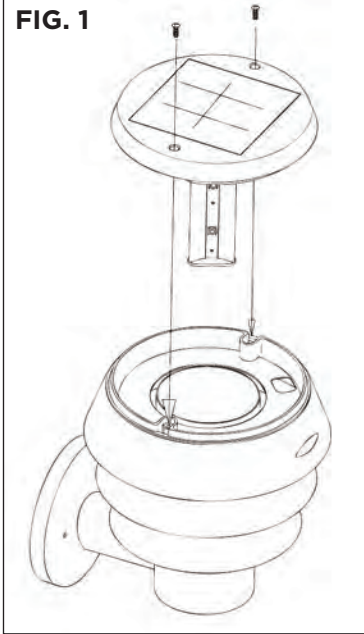
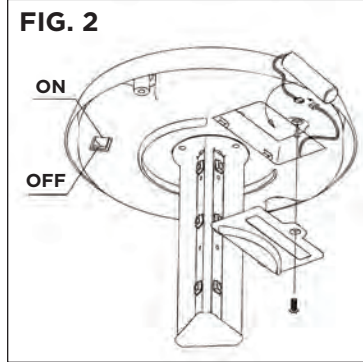


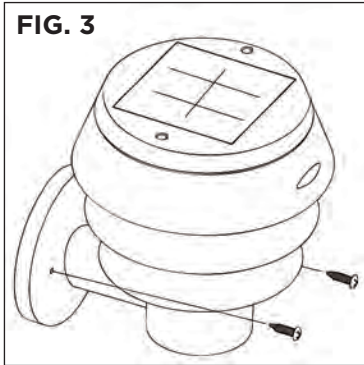
FIG. 2



Installation Instructions

1. Use a drill to make two holes in the wall, place appropriate hardware into holes.
2. Place the wall bracket in line with the holes and secure bracket to wall with the screws provided (Fig. 3).

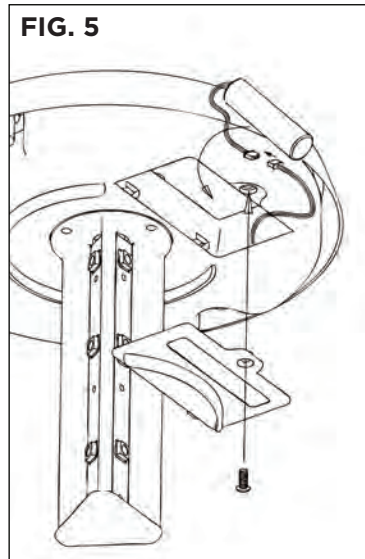
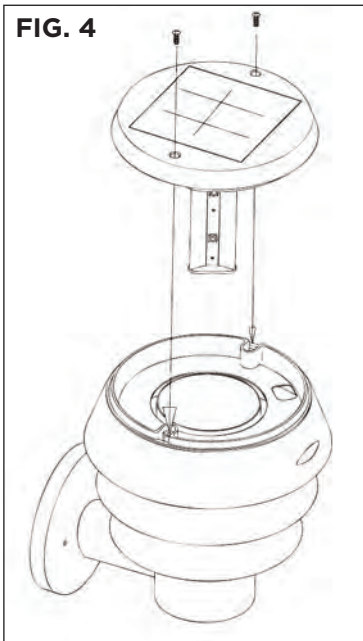
Note: For best results, position your lamp so it is facing south.



Replacing the Batteries

After several years of use, the battery may need replacing.

1. Remove the 2 screws from the top of the lamp and remove the top from the fixture (Fig. 4).
2. Remove the screw from the battery compartment on the underside of the top (Fig. 5).
3. Take the battery out of its secured position, and unclip it's wire.
4. Clip your new battery in and reinstall the lamp in reverse order.



***This lamp takes a 3.2V/1500 Mah Li-Ion battery pack.
Extra batteries can be purchased through our authorized
dealers or by going to www.gamasonicstore.com***

WARNING: Do not dispose of Li-Ion battery in the regular trash, municipal waste stream or by fire as batteries may leak or explode. Do not open, short circuit, or mutilate batteries as injury may occur. Preserve our environment by recycling Li-Ion batteries or disposing of them in accordance with local, state and federal regulations. Do not mix old and new batteries.

Maintenance

Clean the solar panels regularly with a damp towel to guarantee optimum performance. Do not use any type of solvent for cleaning and be careful not to put too much pressure on the solar panels while cleaning.

Troubleshooting

If your solar charged light does not come on at dusk despite observance of all the instructions, please try the following steps:

1. Make sure that the solar lamp is not being affected by any other light source.
2. Ensure the solar lamp is not positioned in the shade during the day.
3. Make sure the switch in the lamp head is the ON position.
4. Check that the batteries are installed correctly.

Note: *The performance of the solar lamp will vary with the time of year. It will deliver more light when it has had a full day in the sun rather than a day in overcast weather.*

Wintertime Tips: *For optimal performance, be sure to remove any snow or debris accumulation from solar panel(s). A solar panel free of debris will charge the batteries much more efficiently.*

WARNING: *Please keep out of reach of children.*



