

### FOR OPENING FIXTURE:

To open latches, push the latch outwards to disengage latch.

See Fig. 12

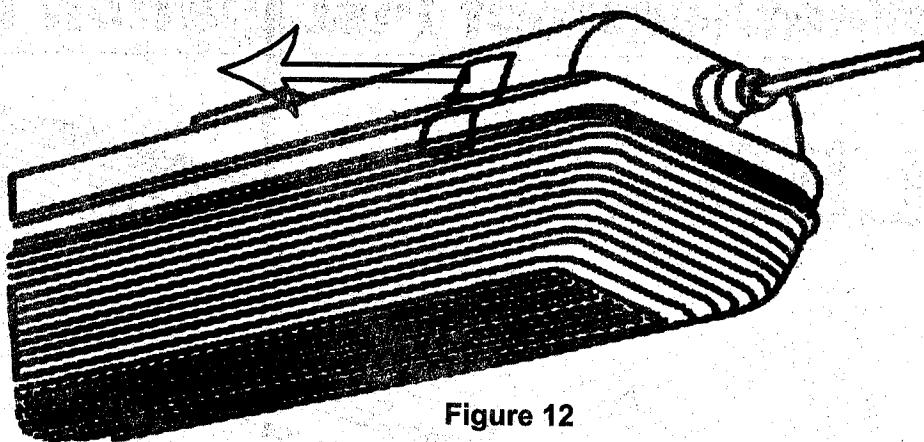


Figure 12

Before cleaning- turn off power.

For best results, plastic panels should be washed with soap or mild detergent.

Rinse with clear water and allow to air dry.

### LED LIGHTING TROUBLESHOOTING GUIDE

LED lighting installations provide service for many years with little or no maintenance except for routine cleaning and re-lamping. If a malfunction does occur, use the guide below to diagnose and correct the problem. If further assistance is required, contact consumer products Customer Service.

#### **If fixture "hums":**

1. Verify LED driver is securely fastened to housing.
2. Verify fixture is grounded properly.
3. Allow fixture to remain on continuously for 48 to 72 hours. This allows for proper "seasoning" of the LED driver.

#### **If LED modules will not operate or flicker:**

1. Make sure all LED modules are properly connected.
2. Make sure all connection is correct; Red wire connects to "+", and Black wire connects to "-".
3. Verify that the fixture is wired properly.

## CHAIN (SUSPENDED) MOUNTING

(Support arm for chain mounting is included - chain and related hardware is not included and must be purchased separately.)

Follow steps 5B to 8B.

5B. Mark location for two mounting holes  $35\frac{1}{2}$ " apart on mounting surface and secure chain to mounting surface.

6B. Install wire support arms to mounting brackets by snapping into holes. See Fig. 7.

7B. Snap mounting bracket onto back of fixture housing. See Fig. 8.

8B. Secure chain to fixture wire support arms. Adjust to desired mounting height.

## WIRING AND FIXTURE OPERATION

CAUTION: CONNECT FIXTURE TO SUPPLY WIRES RATED FOR AT LEAST 90°C (194°F). DO NOT USE FIXTURE ON DIMMING CIRCUITS.

9. Feed supply wire through fitting. Make sure supply wire is long enough to make connection. See Fig. 9.

10. Make wire connections by connecting bare copper or green supply wire to green fixture wire with wire nut. Connect black supply wire to black fixture and white supply wire to white fixture wire with wire nut.

11. Tighten external nut on water-tight fitting to seal wire entering into fixture. See Fig. 9.

Using an adjustable wrench, tighten nut until fitting bushing is sealed completely around cable.

**For proper connection- place wire nut over wires, twist clockwise until tight.**

12. Bundle wires together and position inside wire way.

13. Position metal cover onto fixture opening. Make sure wires are not pinched between plastic housing and metal cover. Lift the metal cover, let the catchers through the slots, and lock. See Fig. 10

## INSTALLING LENS

14. To install lens- position lens onto fixture housing. See Fig. 11. Edge of lens should be positioned in gasket area on the perimeter of housing. Slide latches over edge of lens. When latch is fully engaged it will produce a "snap" sound. Repeat for all remaining latches.

15. Installation is Complete. Turn on electricity at fuse or circuit breaker box.

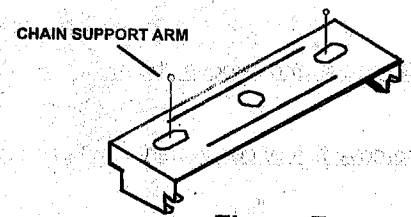


Figure 7

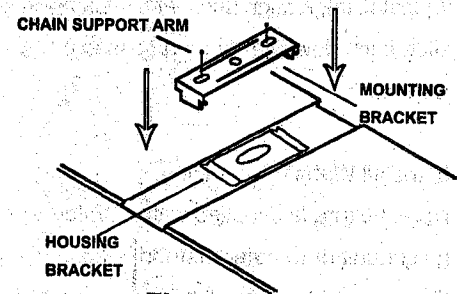


Figure 8

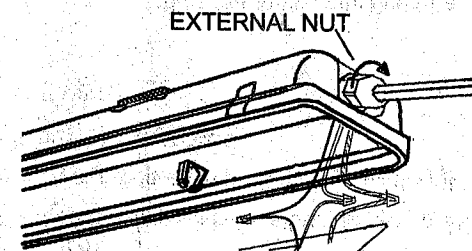


Figure 9

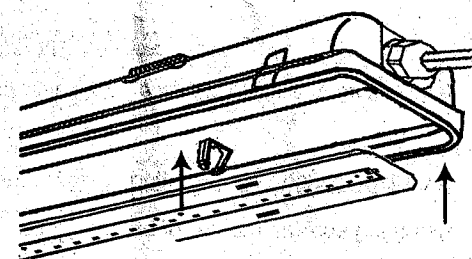


Figure 10

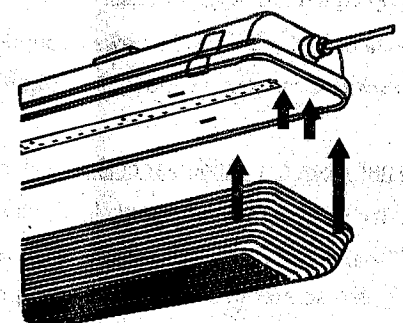


Figure 11

## PREPARE FIXTURE FOR INSTALLATION

1. Disengage and remove channel cover. Squeeze the catchers to release channel cover.
2. Remove fixture components and parts pack(s). Check that all parts are included. **See Fig. 1.**
3. Snap Lamp holders into Respective slots.
4. Install 8 latches onto fixture housing.

To install latch align latch with latch opening on housing. While gently pressing center of latch, slide latch downward into recessed groves on housing. **See Fig. 2.** Repeat for remaining latches.

5. Install Water-Tight Fitting.

Note: Fixture is supplied with a Water-tight fitting for cable. If power supply is to be connected by conduit or another method, please use appropriate water-tight fitting.

Remove nut from small threaded end of fitting. Do not remove washer. Insert small threaded end of fitting into open hole on end of housing. (Washer should be outside of housing. **See Fig. 3**) Tighten until secure. Note: Fitting must be secured tightly to housing to eliminate water entering into fixture housing.

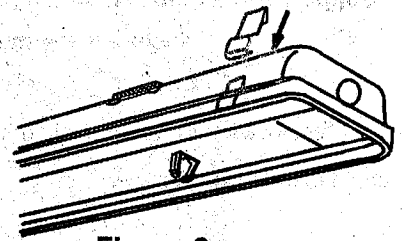


Figure 2

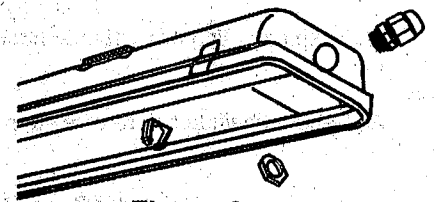


Figure 3

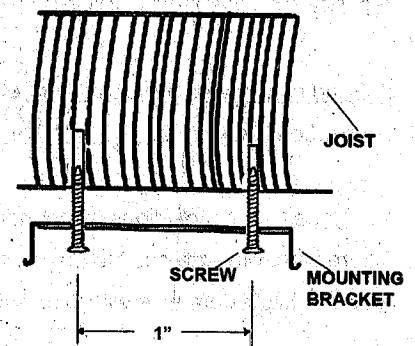


Figure 4

### END TO END MOUNTING

*Fixture can be End to End (continuous Row) mounted.*

If requires End to End mounting- the knockout on opposite end of fixture must be removed and a 27/32" dia. hole must be drilled through plastic housing.

To remove knockout – Insert a flat blade screwdriver into small rectangle slot and pry upward to loosen knockout. Grip edge of knockout with pliers and flex back and forth until removed.

Additional fittings must be purchased for through wiring.

### CEILING/WALL INSTALLATION

*If mounting to a metal surface- additional hardware will need to be purchased.*

Follow Steps 5A to 6A.

5A. Mark location for mounting holes. Mounting brackets to be installed 35 1/2" apart on mounting surface (center of bracket to center of bracket). For each bracket, drill 3/32" pilot holes, 1" apart at mounting bracket position.

If drill encounters ceiling joist, drill 3/32" pilot holes in joist for mounting with 1 1/8" wood screws (included). Insert wood screws through slots on mounting bracket. Tighten screws to secure bracket to mounting surface. **See Fig.4.** Repeat for other mounting bracket. (Go to step 6A).

If drill does not encounter ceiling joist, drill  $\Phi$ 3/16" holes in mounting surface for mounting with plastic toggle nut and screw. Push plastic toggle nuts into pre-drilled holes. Insert screws through slots on mounting bracket. Push screw into holes until toggle nut expands. **See Fig. 5.** Tighten screws to secure bracket. Repeat for other mounting bracket.

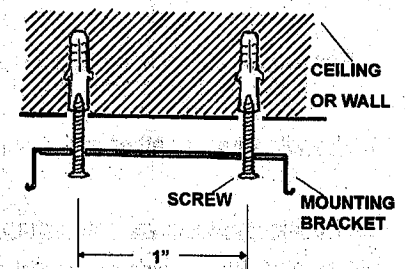


Figure 5

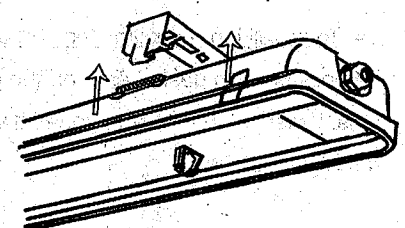
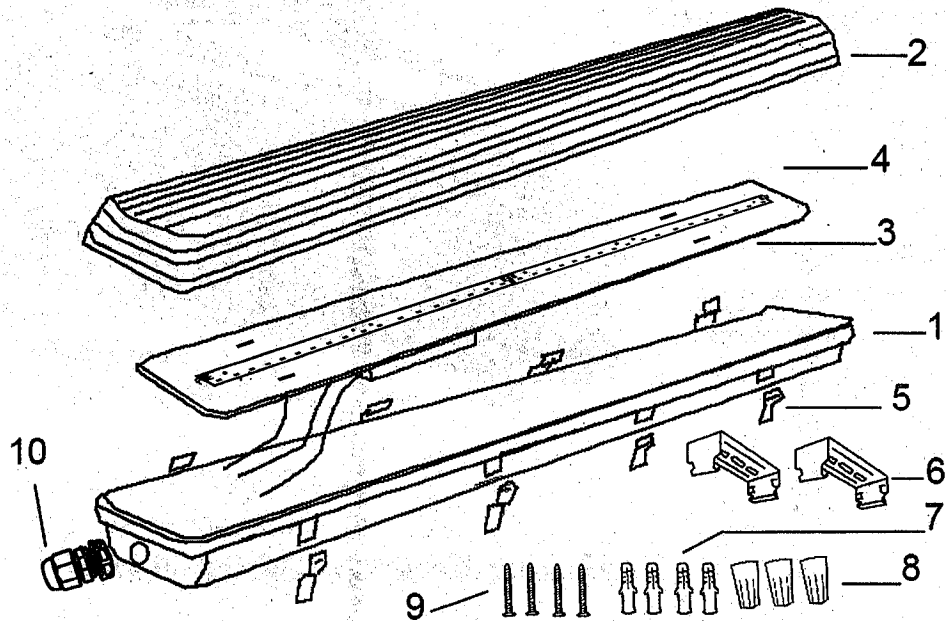


Figure 6

6A. Lift Fixture housing to mounting Brackets and snap in place. **See Fig. 6.** Fixture is now secure. (Proceed to step 9, page 3)

# Weatherproof Installation Instruction

## LED



### IMPORTANT SAFETY INFORMATION

(Protect yourself. Read these instructions carefully and save them for future reference).

#### WARNING: RISK OF SHOCK

Electric current can cause painful shock or serious injury unless handled properly. For your safety always:

- Turn off electrical power at fuse or circuit breaker box before wiring fixture to the power supply.
- Turn off the power when you change lamps or perform other maintenance.
- Ground the fixture to avoid potential electric shocks and to ensure reliable starting.
- Double-check all connections to be sure they are tight and correct.
- Wear rubber-soled shoes and work on a sturdy wooden ladder.

This fixture is designed for use in a circuit protected by a fuse or circuit breaker and to be installed in accordance with local electrical codes. If you are unsure about your wiring, consult a qualified electrician or local electrical inspector and check your local electrical code.

#### WARNING: RISK OR INJURY

Some metal parts in the fixture may have sharp edges. To prevent cuts and scrapes, wear gloves when handling the parts. Account for small parts and destroy packing material, as these may be hazardous to children.

Use flashlight or alternate light source to light work area during installation.

Assistance may be required to support fixture during installation.

When drilling holes overhead, always wear safety glasses to protect eyes.

### FIXTURE PACKING LIST

Part	Description	Quantity
1	Plastic Fixture Housing	1
2	Plastic Lens	1
3	Metal Cover	1
4	LED Module	2
5	Latch	8
6	Mounting Bracket	2
7	Toggle Nut	4
8	Wire Connector	3
9	Screw	4
10	Water Tight Fitting	1

### REQUIRED TOOLS

- Safety Glasses
- Ruler/Tape Measure
- Flat Blade Screwdriver
- Phillips Screwdriver
- Adjustable Wrench
- Drill
- 3/16" Drill Bit
- 3/32" Drill Bit
- Pliers