



EVEREST SOLAR LAMP POST

With GS Solar LED Light Bulb

US Patent # 9458970

Instruction Manual

Models: GS-109S-B, GS-109S-GR, GS-109F-B



GS-109F-B



GS-109S-B



GS-109S-GR

Introduction

Thank you for your purchase. GAMA SONIC® solar-charged accent lighting eliminates the problems associated with most solar lighting available today. GAMA SONIC® solar-charged lights are brighter and last all night with a typical solar charge. Unique design, superior light output and numerous installation options confirm the outstanding value of our product.

GAMA SONIC® has been recognized as a worldwide leader in the lighting industry for over 20 years. The company also offers unique multi-purpose rechargeable products that range from fans with built in radios to emergency lighting products.

Please read the instruction manual carefully to obtain the best results from your purchase.

Solar Light Location:

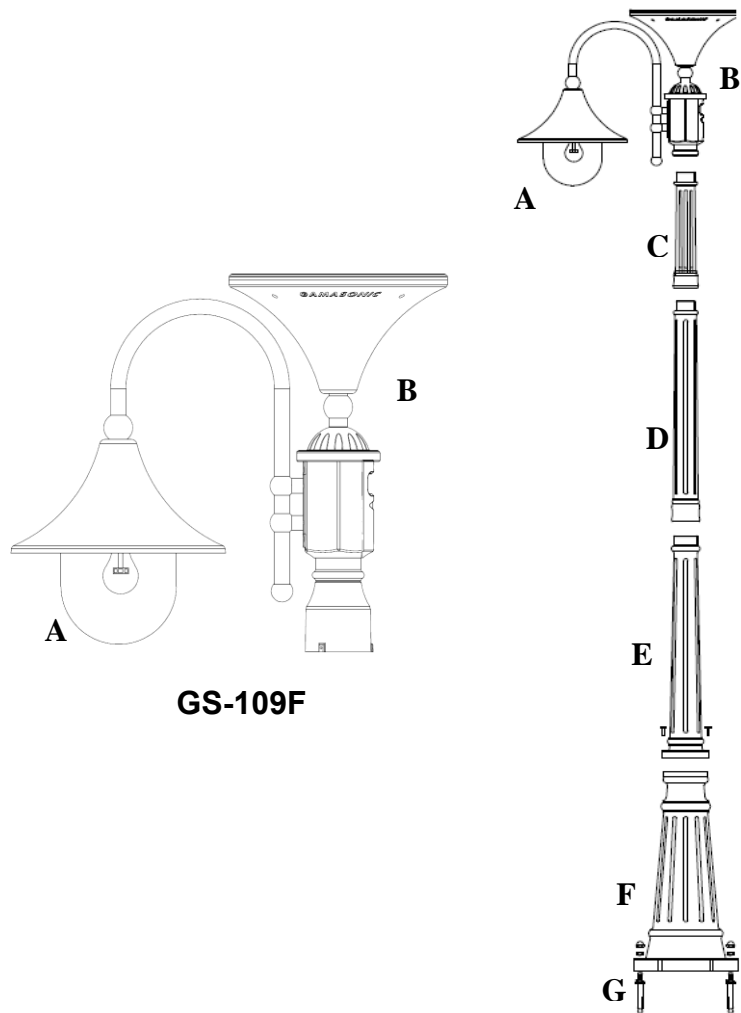
For optimum light duration throughout the night, it is very important to place your solar light in a spot where it will receive the maximum amount of direct sunlight throughout the day.

Note: The unit will operate optimally after 2 full days of charging in direct sun, and in the "on position"

WARNING: GAMA SONIC® Light bulbs are not to be used in other electrical sockets these are low-voltage light bulbs that are built and designed for our products only!

What's Inside

Open your package and remove the contents. Check to make sure all pieces are present and accounted for.



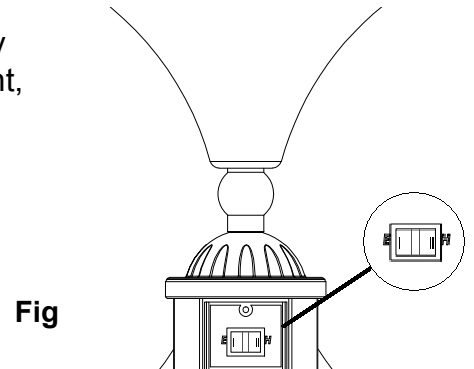
Tools needed:

GS-109S

Tools that are needed but not supplied with the solar lamp post set are: a screw driver, a wrench and an electrical drill that will be used to anchor the lamp base to the ground.

Operation Instructions

- Turn the On/Off switch on the lamp head (B) to Economy or High position. Economy lasts longer using dimmer light, High- Brighter light output (Fig. 1).



Fig

Installation Instructions

NOTE: If you are replacing an existing gas/electric post light, you must consult a certified technician to cancel them before installation.

GS-109S

1. Use an electric drill to make three holes into a solid surface no smaller than the fastening screws (G). The holes shall be lined up with the holes of the lamp base (F).
2. Put the fastening screws (G) into the drilled holes with their threaded ends facing up.
3. Place lamp base onto fastening screws and secure base with the nuts using a wrench. Cover the bolts with the plastic covers provided.
4. Make sure the lamp base (F) is stable before installing Part (E).
5. Place part (E) on top of part (F) and tighten with the provided screws using a wrench.
6. Screw part (D) to part (E), part (C) to part (D) and part (B) to part (C).

GS-109F

- Install the lamp onto your existing 3" post, using the screws provided

Replacing the Batteries

After several years of use, the battery may need replacing.

1. Remove the two screws holding the battery compartment lid. (B) (Fig. 2)
2. Remove the lid to expose the inside.
3. Unplug the batteries inside and replace them with the new batteries using the clips.

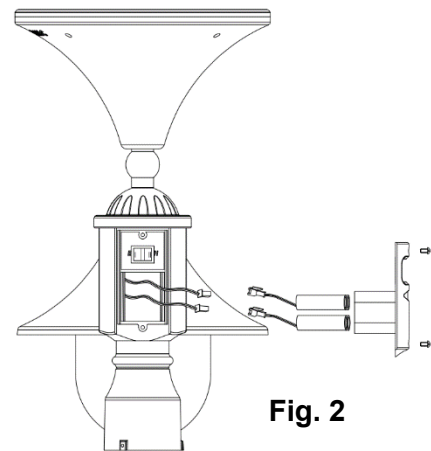


Fig. 2

WARNING: Do not dispose of Li-Ion battery in the regular trash, municipal waste stream or by fire as batteries may leak or explode. Do not open, short circuit, or mutilate batteries as injury may occur. Preserve our environment by recycling Li-Ion batteries or disposing of them in accordance with local, state and federal regulations. Do not mix old and new batteries.

Maintenance

Clean the solar panels regularly with a damp towel to guarantee optimum performance. Do not use any type of solvent for cleaning and be careful not to put too much pressure on the solar panels while cleaning.

Troubleshooting

If your solar charged light does not come on at dusk despite observance of all the instructions, please try the following steps:

1. Make sure that the solar light is not being affected by any other light source.
2. Ensure the solar light is not positioned in the shade during the day.
3. Make sure the switch in the light is the ON position.
4. Check that the batteries are installed correctly.

Note: The performance of the solar light will vary with the time of year. It will deliver more light when it has had a full day in the sun rather than a day in overcast weather.

Wintertime Tips: For optimal performance, be sure to remove any snow or debris accumulation from solar panel(s). A solar panel free of debris will charge the batteries much more efficiently.

WARNING: Please keep out of reach of children.

