



WESTON SOLAR LAMP

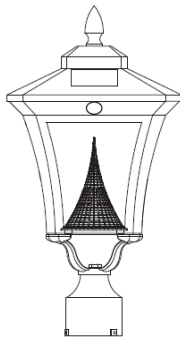
with Motion Sensor

AND changeable mounting options

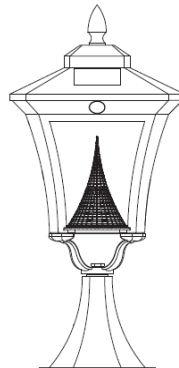
US Patent # 7172307

Instruction Manual

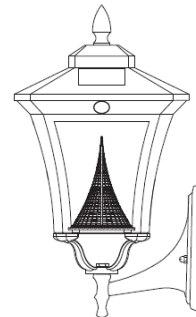
Model: GS-53FPW-PIR



GS-53F-PIR



GS-53P-PIR



GS-53W-PIR

Introduction

Thank you for your purchase. **GAMA SONIC**[®] solar charged lighting eliminates the problems associated with most solar lighting available today. **GAMA SONIC**[®] solar charged lights are brighter and last all night with a typical solar charge. Unique design, superior light output and numerous installation options confirm the outstanding value of our product.

GAMA SONIC[®] has been recognized as a worldwide leader in the lighting industry for over 20 years. The company also offers a variety of products from unique multi-purpose solar lamps to emergency lighting products.

Please read the instruction manual carefully to obtain the best results from your purchase.

Tools that are needed but not supplied with the solar post lamps are: a screw driver and a power drill.

Note: For best results, allow the solar lamp to be charged for two consecutive sunny days in the “On” position.

Solar Lamp Location:

For optimum light duration throughout the night, it is very important to place the solar lamp in a spot where it will receive the maximum amount of direct sunlight throughout the day.

Installation Instructions (Fig. 1)

GS-53P-PIR (Post Mount)

1. Use an electric drill to make four holes in the desired surface. Place provided anchors into holes, place the base of the lamp (C) in line with the holes and attach with the provided screws.
2. Screw part (A) into Part (C) and turn the On/Off switch in the lamp head (A) to ON position according (Fig. 2).

GS-53W-PIR (Wall Mount)

NOTE: Install your solar lamp facing the south for best results.

1. Use an electric drill to make two holes in the wall, place provided anchors into holes, place the wall bracket in line with the holes and attach with the provided screws.
2. Screw part (D) into Part (A) and turn the On/Off switch in the lamp head (E) to ON position according (Fig. 2).

GS-53F-PIR (3" Fitter Mount)

NOTE: If you are replacing an existing gas/electric post light, you must consult a certified technician to disconnect them before installation.

1. Screw Part (B) on top of the existing 3” post using the screws provided.
2. Screw Part (A) into Part (B) and turn the On/Off switch in the lamp head (E) to ON position according (Fig. 2).

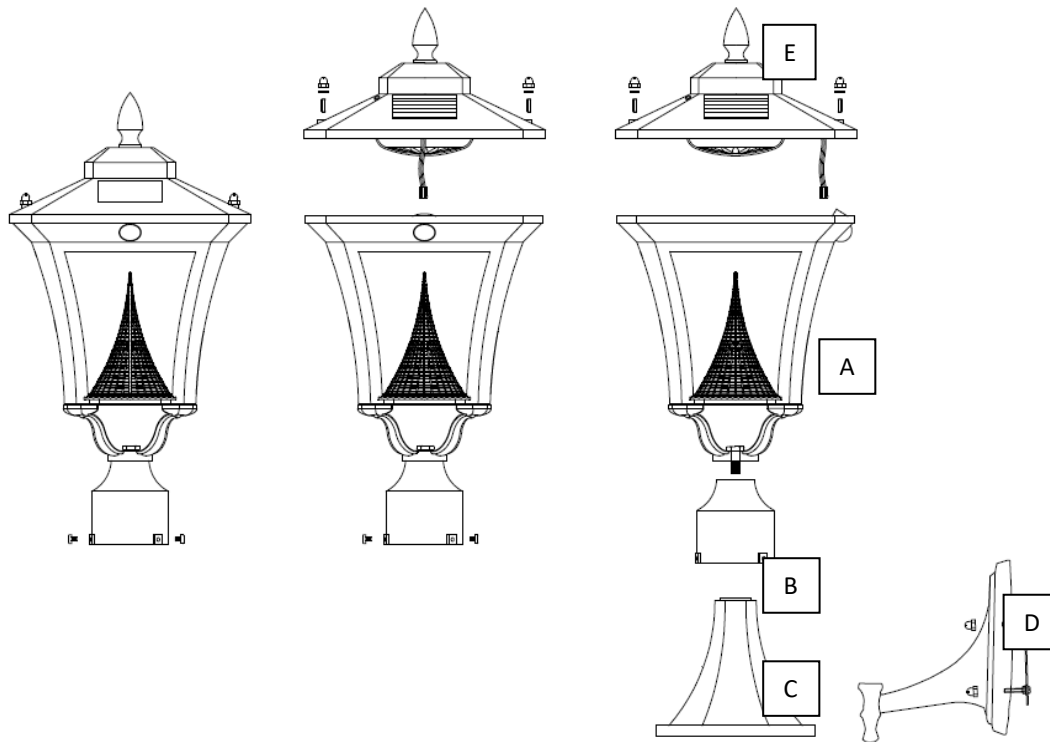


Fig. 1

Operation Instructions (Fig. 2)

1. Detach the top of the lamp unit (E) by releasing the 2 screws.
2. Turn the operation switch to the ON (|) position. Light will turn on automatically at dusk and will be brighter when motion is detected. The Light duration when Motion sensor is activated is about 45 Seconds and then returns to a normal mode.
3. Make sure when re-attaching the top that the external wire is plugged into the motion sensor. There will be an arrow on the plug and the side with that arrow should be facing up. There are also color codes imprinted on the surface where the plug is that will instruct which color wire is to be on that side of the plug. This must be followed to avoid the plug being inserted upside down which would cause the lamp not to function.
4. Reattach the top part (E) by securing with the 2 screws.

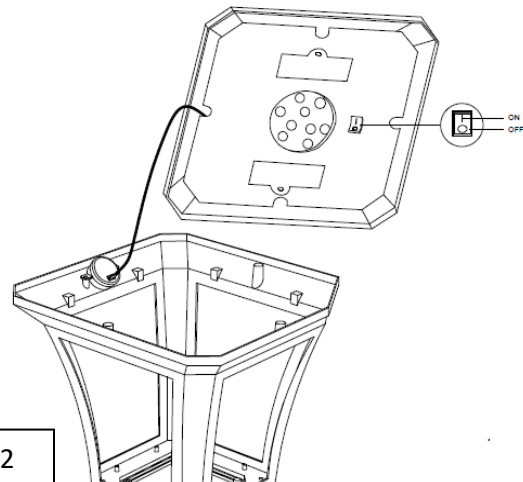
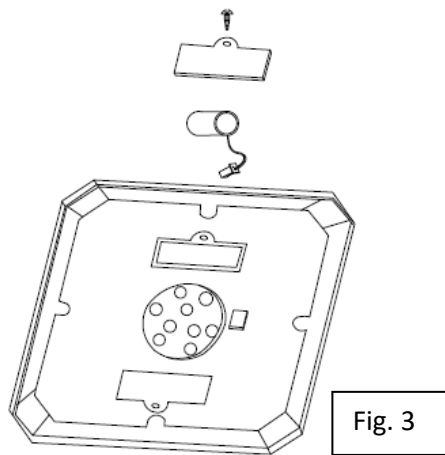


Fig. 2

Replacing the Batteries (Fig. 3)

(After several years of use, the battery may need replacing).

1. Detach the top of the lamp unit (E) by releasing the 2 screws. Make sure the ON/OFF switch is in the OFF (O) position.
2. Unscrew the battery compartment screw.
3. Unclip the connector and remove the old battery. Make sure the new battery is high quality 3.2V/1500mAh Li-Ion rechargeable battery with connector.
4. Clip on new battery and install into the battery compartment Re-install battery compartment cover.
5. Reassemble the unit by reversing the above procedure.



WARNING: Do not dispose of Li-Ion battery in the regular trash, municipal waste stream or by fire as batteries may leak or explode. Do not open, short circuit, or mutilate batteries as injury may occur. Preserve our environment by recycling Li-Ion batteries or disposing of them in accordance with local, State and federal regulations. Do not mix old and new batteries.

Maintenance

Clean the solar panels regularly with a damp towel to guarantee optimum performance. Do not use any type of solvent for cleaning and be careful not to put too much pressure on the solar panels while cleaning.

Trouble Shooting

If your solar charged light does not come on at dusk despite observance of all the instructions, please try the following steps:

1. Make sure that the solar panel is not being affected by any other light source.
2. Ensure the solar panel is not positioned in the shade during the day.
3. Make sure the switch in the lamp head is the On (|) position.
4. Check that the batteries are installed correctly.

NOTE: The performance of the solar lamp will vary with the time of year. It will deliver more light when it has had a full day in the sun rather than a day in overcast weather.

WINTERTIME TIPS: For optimal performance, be sure to remove any snow or debris accumulation from solar panel. A solar panel free of debris will charge the batteries much more efficiently.

WARNING: Please keep out of reach of children.

