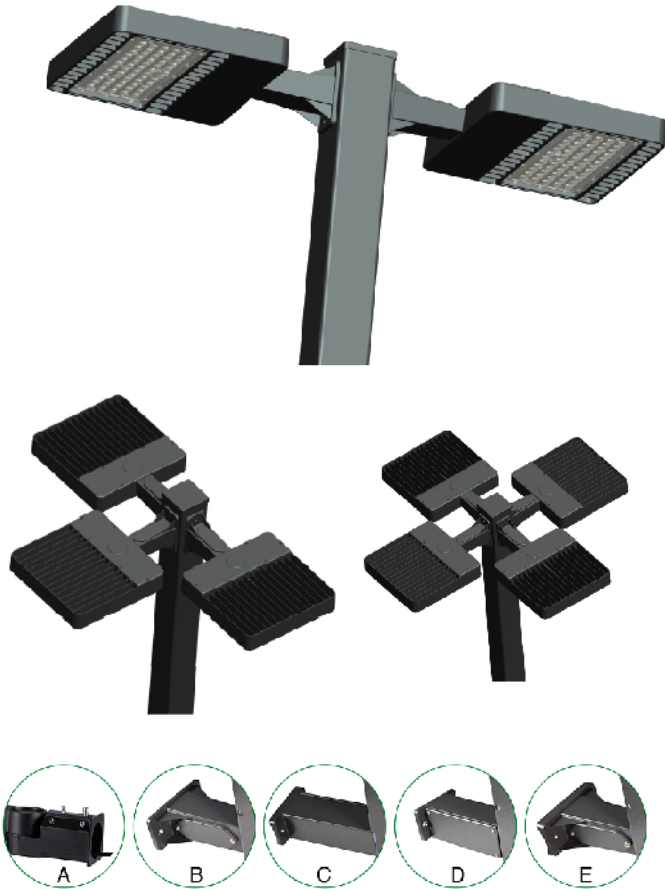
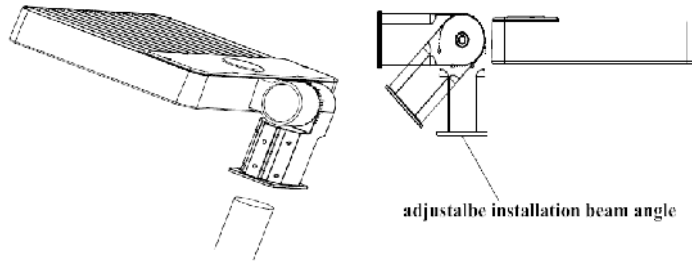


#### IV. Installation simulation photos:

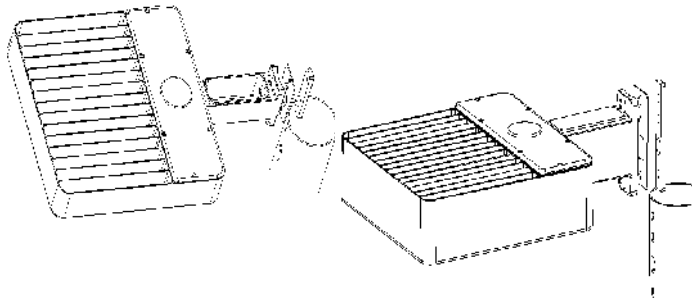


#### III . Installation and Wiring Instruction

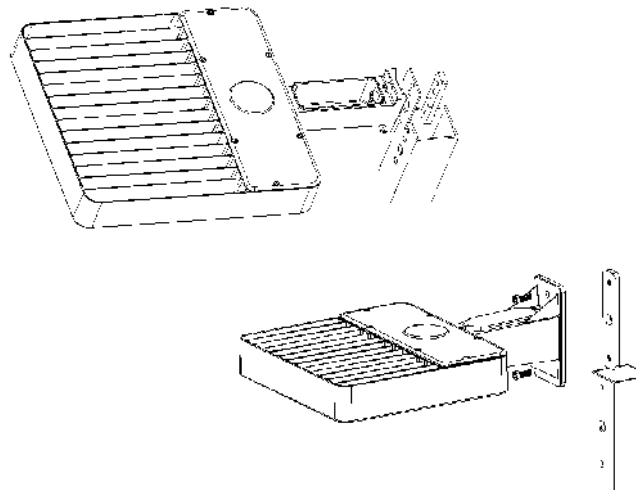
##### Installation 1 (Round Pole):



##### Installation 2 (Round pole):



##### Installation 3 (Square Pole):



#### LED shoe box light instruction Manual



##### I. Application :

Road, parking area, highway ,residential area etc.

##### II . Features

(1)Whole set of lens for lighting distribution. Lighting efficiency more than 100LM/W.

(2)space between the modules, it brings excellent **air convection** , heat can be sent off immediately ,keeping led working under low temperature .

(3)Unique and Beautiful appearance ' using imported Samsung/Cree LED of more than 120lm/W.

(4)Waterproof for outdoor using.

#### V. Installation Notes:

- Cut off the power and make sure the wall can burden the weight of the lamp.
- Before install the lamp, ensure the lamp wiring correctly, don't let the lamp's dropping down.
- Do not use the lamp in the area where have aggressive gas.
- Do not cover anything on the lamp which is harmful for heat sink.
- Products faults caused by separating, remodeling or incorrectly construction are not in the quality warranty range .