



Before You Begin

HID Retrofit Lamp User Manual



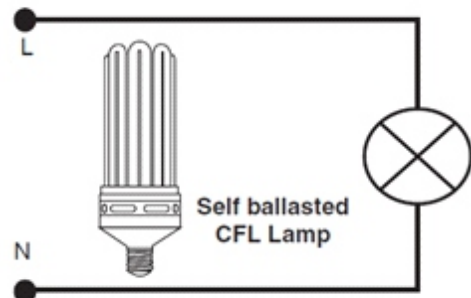
Read These Instructions Completely and Carefully

WARNING

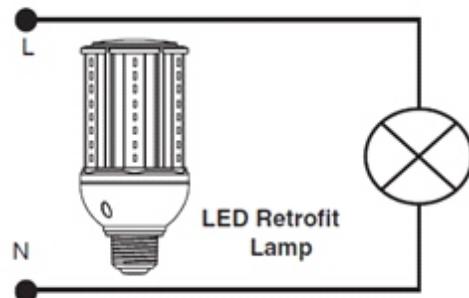
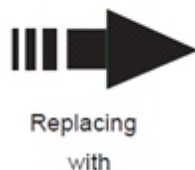
Risk of electric shock

- Disconnect power from the luminaire and follow proper lockout/tagout procedures before installation or maintenance. Contact a qualified electrician for installation.
- These HID retrofit lamps require 100V-277V input voltage.
- These HID retrofit lamps require all ballasts, capacitors, and starters to be bypassed/removed.
- Suitable for use in dry or damp locations only. Do not use where directly exposed to liquid, vapor, rain.
- THIS DEVICE IS NOT INTENDED FOR USE WITH EMERGENCY EXITS.
- ADDED WEIGHT OF THE DEVICE MAY CAUSE INSTABILITY OF A FREE-STANDING PORTABLE LUMINAIRE.
- USE ONLY WITH A PORTABLE LUMINAIRE THAT IS PROVIDED WITH A SHADE.
- This device is not intended for use with dimmers or remote controls.
- This device is suitable for enclosed fixtures, however ensure that there is adequate space around the device for heat dissipation. 54W: (93)D X (265)H mm 80W-120W: (410)D X (390)H mm
- 27W above are only suitable for base-up & base-down installation.

Replacing Self Ballasted CFL Lamp

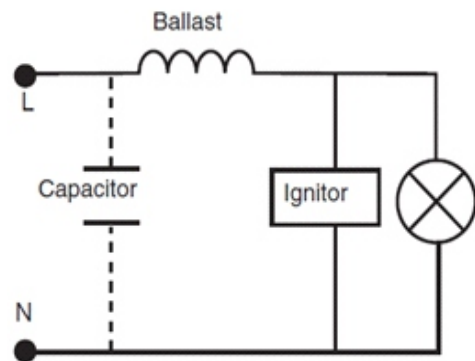


Self Ballasted CFL Wiring Diagram



LED Retrofit Lamp Wiring Diagram

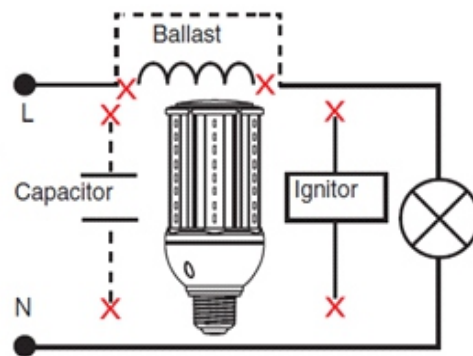
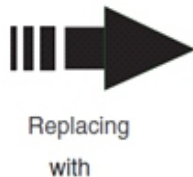
Replacing HPS/HID Lamp



HPS/HID Wiring Diagram



HPS / HID Lamp



LED Retrofit Lamp Wiring Diagram