



IMPERIAL SOLAR LAMP POST

With GS Solar LED Light Bulb

US Patent # 7172307

US Patent # 9458970

Instruction Manual

Model: GS-97B-S



Introduction

Thank you for your purchase. GAMA SONIC® solar charged lighting eliminates the problems associated with most solar lighting available today. GAMA SONIC® solar charged lights are brighter and last all night with a full day solar charge. Unique design, superior light output and numerous installation options confirm the outstanding value of our product.

GAMA SONIC® has been recognized as a worldwide leader in the lighting industry for over 20 years. The company also offers unique multi-purpose rechargeable products that range from party lights to emergency lighting products.

Please read the instruction manual carefully to obtain the best results from your purchase.

Solar Lamp Post Location

For optimum light duration throughout the night, it is very important to mount your solar lamp post in a spot where it will receive the maximum amount of sunlight throughout the day.

NOTE: If you are replacing an existing gas/electric post light, you must consult a certified technician to cancel them before installation.

NOTE: For best results, the solar lamp must be charged for two sunny days in the “ON” position.

Operation Instructions

1. Detach the upper part of the lamp as shown in (Fig.1) by turning the top counterclockwise.
2. Screw the GS LED lightbulb into the socket. Turn the on switch to desired setting high or low (low for longer duration). The Solar Lamp will automatically operate at dusk.
3. Reassemble the upper part of the lamp by placing it on top of the 4 studs, and then turn it clockwise.

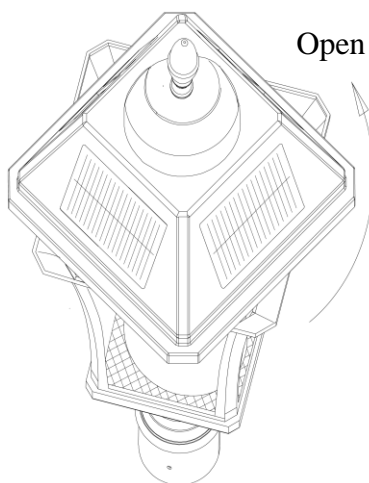


Fig. 1

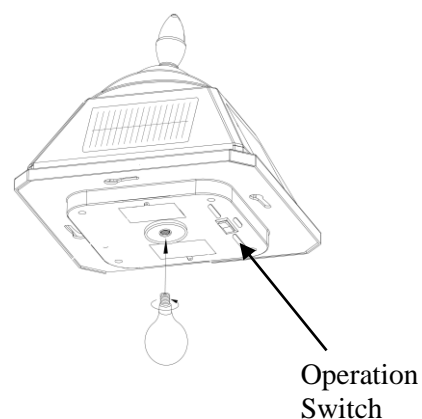


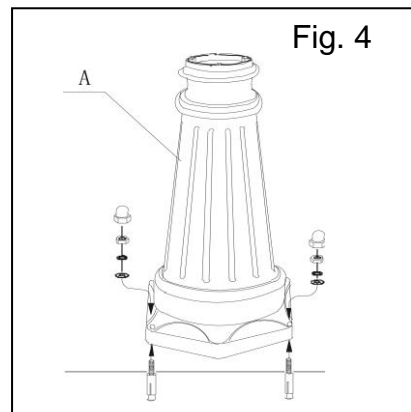
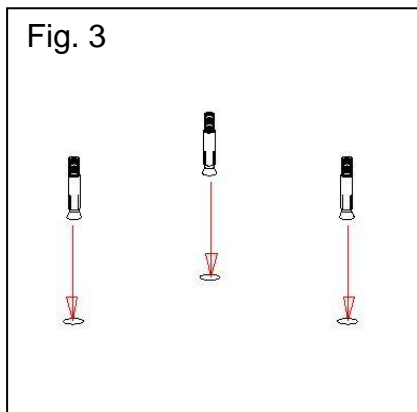
Fig. 2

Tools that are needed but not supplied with the high post lamps are: a screw driver, a wrench and an electrical drill that will be used to anchor the lamp base to the ground.

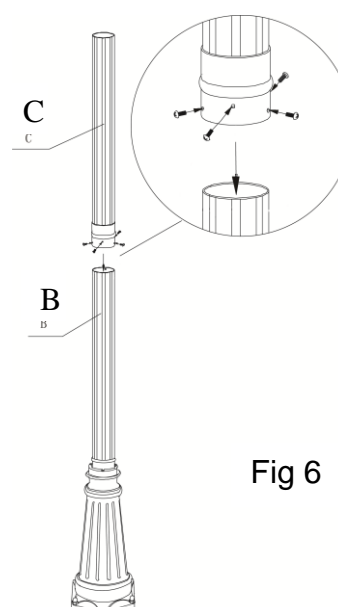
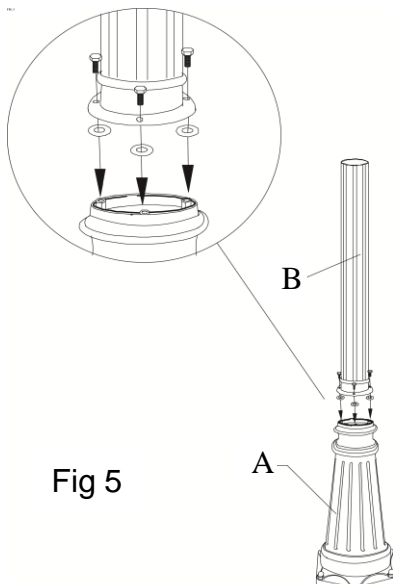
NOTE: The following steps are for reference only. Consult your local hardware store for the best installation method for your particular surface.

Assembly Instructions

1. Mark three holes using the template and drill the holes using a 0.5-inch drill bit, into a solid surface no smaller than the fastening screws. The holes shall be lined up with the holes of the lamp base
2. Put the fastening screws (included) into the drilled holes with their threaded ends facing up (Fig 3).
3. Place lamp base onto fastening screws and secure base with the nuts using a wrench (Fig 4).
4. Make sure the lamp base (A) is stable before proceeding in installation.



5. Place part (B) over part (A) and using a wrench tighten the three screws that are provided make sure that the rubber washers go between part (A) and part (B) (Fig 5).
6. Place part (C) over part (B) and tighten with a phillips head screwdriver the four screws that are provided (Fig 6).
7. Install the lamp onto your post, using the screws provided.



(After several years of use, the batteries may need replacing).

1. Detach the upper part of the lamp as shown in Fig. 1 by turning it counterclockwise.
2. Make sure the operation switch is in the OFF position.
3. Release the battery compartment's screw located on the silver reflector and remove the old battery pack as shown in Fig. 2. Make sure the new batteries are high quality – Li-Ion Battery Pack (3.2 Volt / 3000 Ma).
4. Install the new batteries into the battery compartment.
5. Reassemble the unit by reversing the above procedure.

NOTE: In your unit you're able to install two additional (3.2 Volt / 3000 Ma) batteries this will improve the duration of the light on cloudy days when fully charged but this will not affect the brightness.

WARNING: Do not dispose of Li-On battery in the regular trash, municipal waste stream or by fire as batteries may leak or explode. Do not open, short circuit, or mutilate batteries as injury may occur. Preserve our environment by recycling Li-On batteries or disposing of them in accordance with local, State and federal regulations. Do not mix old and new batteries.



Maintenance

Clean the solar module regularly with a damp towel to guarantee optimum performance of the solar panel. Do not use any type of solvent for cleaning and be careful not to put too much pressure on the module while cleaning.

Trouble Shooting

If your solar charged light does not come on at dusk despite observance of all the instructions, please try the following steps:

1. Make sure that the solar light is not being affected by any other light source.
2. Ensure the solar light is not positioned in the shade during the day.
3. Make sure the switch in the lamp head is in the "ON" position.
4. Check that the batteries are installed correctly.

NOTE: The performance of the solar light will vary with the time of year. It will deliver more light when it has had a full day in the sun rather than a day in overcast weather.

WINTERTIME TIPS: Keep snow and debris cleaned off the solar panels so the batteries can recharge. If the lights are covered with snow for an extended period of time, after the snow melts, allow all the batteries to charge in full, direct sunlight for at least 6 hours to their maximum capacity.



WARNING: Please keep out of reach of children.