

LED ET8-2150T-15

Part #: ELT8/J/15W/2100/160D/50K/G13/T Lamp Class: T8 (4 ft.)



Nano-plastic composites deliver splendid light distribution without compromising brightness or producing undesirable glare.



Bypass Ballast

Built-in driver replaces ballast operation reducing significant maintenance expenses.

Product Description

LED ET8-2150T-15 delivers superior brightness, valuable energy savings and long lasting performance. **EURI™** 4 ft. Bypass Ballast T8 LED lamp is ideal for offices, conference rooms, hotels, academic complexes, research buildings, medical facilities and commercial stores. Built-in driver reduces maintenance expenses while NANO plastic composites deliver splendid light distribution without compromising brightness or generating undesirable glare. Available in 4000K *Bright White* and 5000K *Cool White*. Enjoy features such as: instant on, shatter resistance and mercury free.



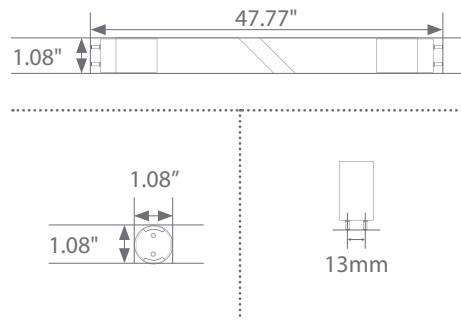
Specifications

Input Power	Input Voltage	Lumen Output	Beam Angle	Center Beam	CCT
15 W	AC100-277 V	2100 lm	160°	N/A	5000 K
CRI	Luminous Efficacy	Power Factor	Input Current	Base/Cap	Lamp Lifespan
80	140 lm/W	0.9	0.06 A	G13	50,000 Hrs.

Product Features

- Non-Dimmable
- Instant-On/Off
- Mercury Free
- Energy Efficient

Product Dimensions



Product Photometric Data

