

# LED ET8-2140T-15

Part #: ELT8/J/15W/2100/160D/40K/G13/T      Lamp Class: T8 (4 ft.)



Nano-plastic composites deliver splendid light distribution without compromising brightness or producing undesirable glare.



## Bypass Ballast

Built-in driver replaces ballast operation reducing significant maintenance expenses.

## Product Description

**LED ET8-2140T-15** delivers superior brightness, valuable energy savings and long lasting performance. **EURI™** 4 ft. Bypass Ballast T8 LED lamp is ideal for offices, conference rooms, hotels, academic complexes, research buildings, medical facilities and commercial stores. Built-in driver reduces maintenance expenses while NANO plastic composites deliver splendid light distribution without compromising brightness or generating undesirable glare. Available in 4000K *Bright White* and 5000K *Cool White*. Enjoy features such as: instant on, shatter resistance and mercury free.






## Specifications

Input Power	Input Voltage	Lumen Output	Beam Angle	Center Beam	CCT
15 W	AC100-277 V	2100 lm	160°	N/A	4000 K

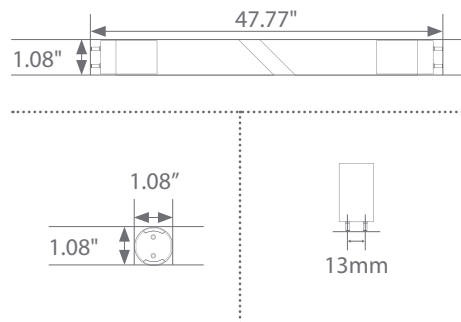
  

CRI	Luminous Efficacy	Power Factor	Input Current	Base/Cap	Lamp Lifespan
80	140 lm/W	0.9	0.06 A	G13	50,000 Hrs.

### Product Features

-  Non-Dimmable
-  Instant-On/Off
-  Mercury Free
-  Energy Efficient

### Product Dimensions



### Product Photometric Data

