



## DESCRIPTION

The **I-42-EM-R-J** from IOTA Engineering is a UL Listed fluorescent emergency ballast that allows the same fixture to be used for both normal and emergency operation. In the event of a power failure, the **I-42-EM-R-J** switches to the emergency mode and operates **one or two** of the existing lamps for **90 minutes**. The unit contains a battery, charger, and inverter circuit in a single can. The **I-42-EM-R-J** can be used with most 10W-42W twin, triple, quad tube, 2D and Straight **4-pin** compact fluorescent lamps and 18W-36W long compacts, with a total initial output of up to **650 lumens** for one or two lamps. The **I-42-EM-R-J** utilizes **AC output to ensure compatibility with new lamp technologies**, and features lamp selector leads for optimizing light output for designated lamp types. The **I-42-EM-R-J** features a single flex design for mounting on the junction box or wireway. A single-piece test switch and charge indicator is provided with all necessary hardware for installation within the downlight reflector. The **I-42-EM-R-J** is suitable for use in damp locations.

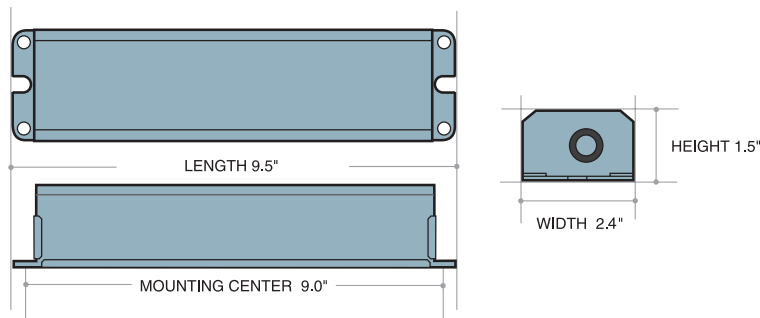
## SPECIFICATIONS

Input Voltage .....	(Dual) 120/277V, 60Hz
Input Wattage .....	3.5 Watts
Lamps Operated .....	10W-42W <b>4-pin</b> Rapid Start Twin, Triple, Quad Tube, 2D & Straight Compact Lamps, and 18W-36W Long Compact Lamps
Emergency Operation* .....	(1) 10W-42W or (2) 10W-18W 90 minutes *Long Compact - (1) lamp only
Initial Illumination .....	650 lumens (2) lamps 325 lumens each lamp
Operating Temp .....	0° to 50° C
Battery .....	24 Hour Recharge 7-10 Year Life Expectancy
Weight .....	3.4 lbs.
Approval .....	UL and CUL Listed



## DIMENSIONS

9.5" x 2.4" x 1.5" (mounting center 9.0")



## INITIAL LUMEN OUTPUT

650 Lumens

## LAMPS OPERATED\*



[1] 10W-42W 4-PIN Compact [2] 10W-18W 4-PIN Compact  
[1] 18W-36W Long Compact

\*Refer to Lumen Reference Chart for list of compatible lamps

## PRODUCT ADVANTAGES

- **AC output for compatibility with Low-Mercury Content Amalgam lamps**
- **Time Delay feature for compatibility with End-of-Lamp-Life Circuitry**
- **Open Circuit Isolation protects unit when load is absent**
- **Reflector-Mount Test Switch and Charge Indicator**

## FEATURES

- Will cold start and operate all specified lamps
- Long life high temperature recyclable Ni-Cad battery
- Galvanized steel case
- Includes one-piece TBTS test switch and charge indicator accessory kit
- For use with switched or unswitched fixtures
- **5-Year Warranty.** See Warranty Page for details.
- Lamp selector leads optimize light output for designated lamp type
- Suitable for use in damp locations
- Meets or exceeds all National Electrical Code and Life Safety Code Emergency Lighting Requirements
- International Voltage Models available



# I-42-EM-R-J

FLUORESCENT EMERGENCY BALLAST FOR 4-PIN LAMPS

## OPTIONS

### TEST KIT CONFIGURATION

- LIGHTED TEST SWITCH IN REFLECTOR  
(Recommended for OEM installation only. Contact Customer Service for details)

### MOUNTING CONFIGURATION

- Single Flex

### VOLTAGE RATINGS

- 120/277V 60HZ (STANDARD)
- 220V 50HZ
- 240V 60HZ
- 120V 50HZ

## INITIAL LUMEN RATINGS

LAMP	1 LAMP	2 LAMPS
13W PL CF 4-PIN	350	400
18W PL CF QUAD 4-PIN	350	550
26W PL CF QUAD 4-PIN	425	
32W PL CF QUAD 4-PIN	600	
42W PL CF QUAD 4-PIN	750	
F282 D/42 4-PIN	475	500
F382 D/42 4-PIN	500	650
18W LONG COMPACT	500	
24W LONG COMPACT	575	
36W LONG COMPACT	650	

## REMOTE MOUNTING

When battery packs are remote mounted, consult Customer Service for the maximum allowable distance between the battery pack and lamp(s).

## I-42-EM-R-J SAMPLE SPECIFICATION

Emergency lighting shall be provided by using a standard fluorescent fixture equipped with an **IOTA I-42-EM-R-J** fluorescent emergency battery pack. The **I-42-EM-R-J** shall consist of a high temperature, maintenance-free nickel cadmium battery, charger board and an electronic circuit enclosed in a 9.5" x 2.4" x 1.5" vandal-resistant galvanized steel case. The unit is designed for installation on top of the junction box and is equipped with 1/2" flex for wiring to the test accessories. A combination one-piece long-life LED charge indicator light and test switch for installation within the reflector shall be included. The fluorescent EM pack shall operate one 10w-42w or two 10w-18w twin, triple, quad tube, 2D or straight **4-pin** fluorescent lamps, or one 18w-36w long compact fluorescent lamp. The **I-42-EM-R-J** shall provide reduced illumination for a minimum of 90 minutes in the emergency mode with a total initial output of 650 lumens. **The I-42-EM-R-J will operate the lamp(s) with AC output** and will feature lamp selector leads for optimizing light output for the designated lamp type. The **I-42-EM-R-J** shall have 3.5 watts of input power and a battery capacity of 14.4 watt hours. The **I-42-EM-R-J** is UL Listed and meets or exceeds all NEC and Life Safety Code Emergency Lighting Requirements, and rated for use in damp locations. The **I-42-EM-R-J** is warranted for a full five (5) years from the date of purchase.