



# SOLAR COACH LANTERN

**Instruction Manual**  
*Model: GS-1*



**WARNING:** Do not dispose of Li-Ion battery in the regular trash, municipal waste stream or by fire as batteries may leak or explode. Do not open, short circuit, or mutilate batteries as injury may occur. Preserve our environment by recycling Li-Ion batteries or disposing of them in accordance with local, state and federal regulations. Do not mix old and new batteries.

## **Maintenance**

Clean the solar panels regularly with a damp towel to guarantee optimum performance. Do not use any type of solvent for cleaning and be careful not to put too much pressure on the solar panels while cleaning.

## **Troubleshooting**

If your solar charged light does not come on at dusk despite observance of all the instructions, please try the following steps:

1. Make sure that the solar light is not being affected by any other light source.
2. Ensure the solar light is not positioned in the shade during the day.
3. Make sure the switch in the light is the ON position.
4. Check that the batteries are installed correctly.

**Note:** The performance of the solar light will vary with the time of year. It will deliver more light when it has had a full day in the sun rather than a day in overcast weather.

**Wintertime Tips:** For optimal performance, be sure to remove any snow or debris accumulation from solar panel(s). A solar panel free of debris will charge the batteries much more efficiently.

**WARNING:** Please keep out of reach of children.



## Introduction

Thank you for your purchase. GAMA SONIC® solar-charged accent lighting eliminates the problems associated with most solar lighting available today. GAMA SONIC® solar-charged lights are brighter and last all night with a typical solar charge. Unique design, superior light output and numerous installation options confirm the outstanding value of our product.

GAMA SONIC® has been recognized as a worldwide leader in the lighting industry for over 20 years. The company also offers unique multi-purpose rechargeable products that range from fans with built in radios to emergency lighting products.

For technical assistance and more information call our Toll Free number:

**1-800-835-4113**  
(only within the US)

---

Please read the instruction manual carefully to obtain the best results from your purchase.

### Solar Light Location:

For optimum light duration throughout the night, it is very important to place your solar light in a spot where it will receive the maximum amount of direct sunlight throughout the day.

*Note: The unit will operate optimally after 2 full days of charging in direct sun, and in the "on position."*

**WARNING: GAMA SONIC® Light bulbs are not to be used in other electrical sockets these are low-voltage light bulbs that are built and designed for our products only!**

FIG. 2

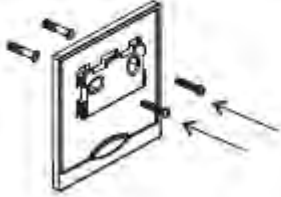
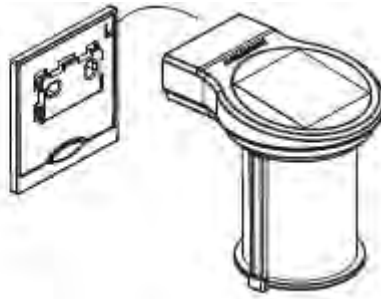


FIG. 3

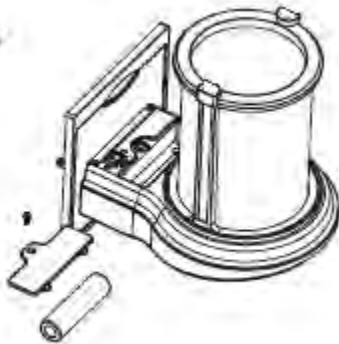


## Replacing the Batteries

*After several years of use, the battery may need replacing.*

1. Flip the lamp over and unscrew the battery compartment to remove the battery (Fig. 4).
2. Insert the new battery and close the compartment, then re-install.

FIG. 4

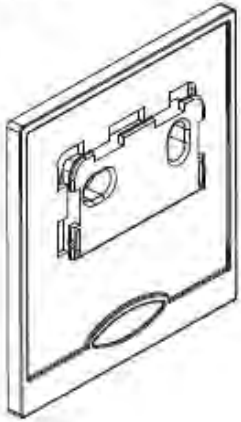


*This lamp takes a Li-ion 3.2V/1500 mAh battery pack.*

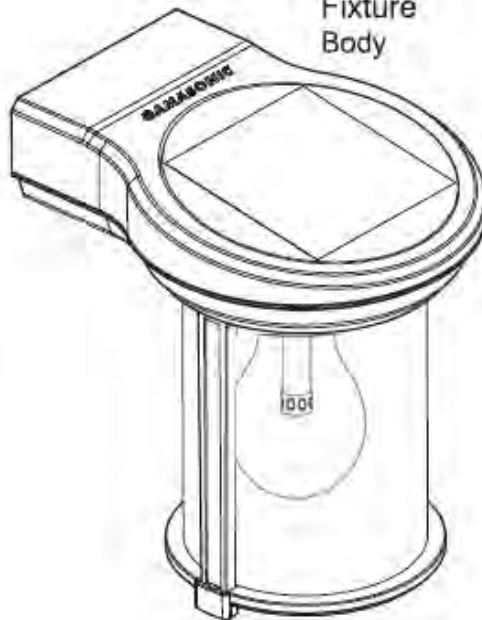
## What's Inside

Open your package and remove the contents. Check to make sure all pieces are present and accounted for.

**B**  
Wall Mount



**A**  
Fixture  
Body



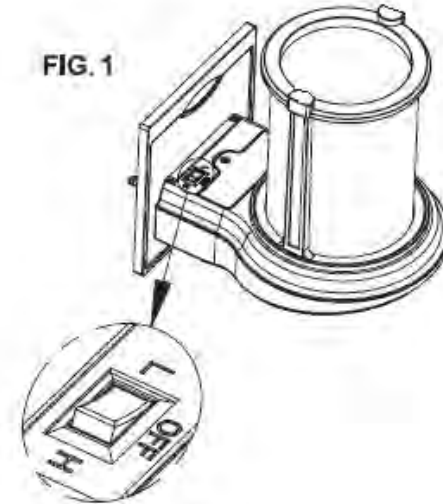
## Replacing the Solar LED Bulb

The Solar LED Bulb is designed to last up to 10 years, however if it is not working, or if you want to use a different color temperature bulb, you can replace it with a new GAMA SONIC Solar LED Bulb.

## Operation Instructions

1. Flip the lamp over and turn the operation switch (Fig. 1) to either the high or low position. The solar light will automatically operate at dusk.

**FIG. 1**



## Installation Instructions

GS-1

1. Screw the wall mount (B) to a flat, vertical surface by drilling two holes and inserting the wall anchors. Then align the wall anchors with the holes on the wall mount plate and twist the screws in to hold in place. (Fig. 2).
2. Simply slide the fixture (A) down onto the grooves on the wall mount (Fig. 3).