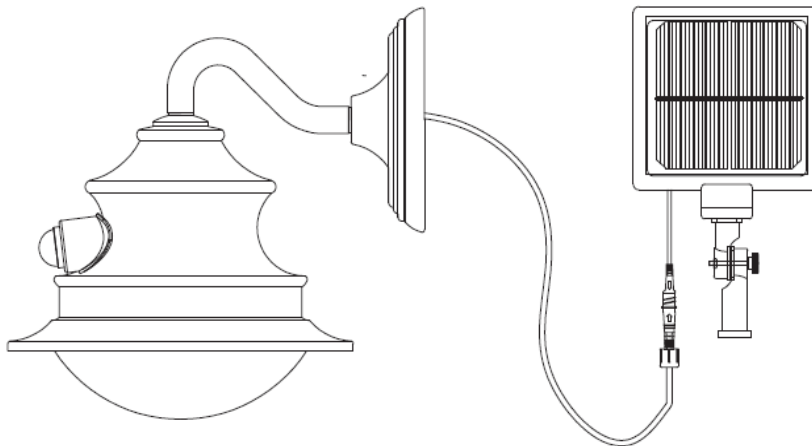




SOLAR BARN LIGHT with MOTION SENSOR

Instruction Manual

Model: GS-122PIR



Introduction

Thank you for your purchase. **GAMA SONIC**® solar charged lighting eliminates the problems associated with most solar lighting available today. **GAMA SONIC**® solar charged lights are brighter and last all night with a typical solar charge. Unique design, superior light output and numerous installation options confirm the outstanding value of our product.

GAMA SONIC® has been recognized as a worldwide leader in the lighting industry for over 20 years. The company also offers unique multi-purpose solar lamps to emergency lighting products.

Please read the instruction manual carefully to obtain the best results from your purchase.

Tools that are needed but not supplied with the solar post lamps are: a screw driver and a power drill.

Solar Lamp Location:

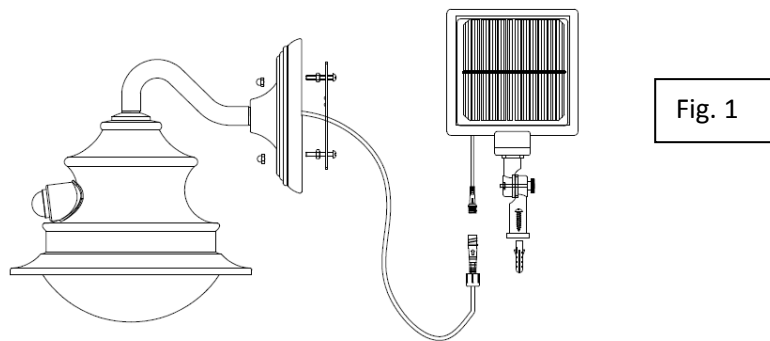
For optimum light duration throughout the night, it is very important to place the solar panel in a spot where it will receive the maximum amount of direct sunlight throughout the day. Also, for best results install your solar panel facing the south.

NOTE: The Light fixture is for OUTDOOR USE only and will not work properly indoor because of the PIR sensor module.

DO NOT INSTALL THE LIGHT INDOOR!

Installation Instructions (Fig. 1)

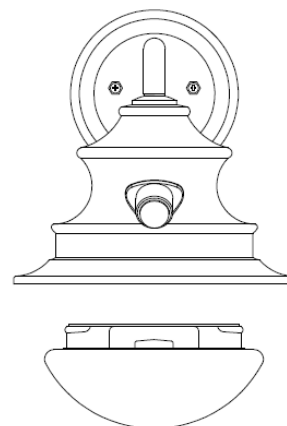
1. Install the solar panel using the 2 screws provided no more than 6ft from the light fixture. Refer to the “solar lamp location” paragraph before choosing the installation location.
2. Use an electric drill to make two holes in the wall, place provided anchors into holes, place the wall bracket in line with the holes and secure the solar panel with the provided screws.
3. Assemble the light fixture into the wall bracket using the provided screws.
4. Connect the wire from the light fixture to the solar panel.



Operation Instructions

1. Remove the round glass cover by turning it counterclockwise (Fig. 2)
2. Turn the operation switch (Fig. 3) to the ON (|) position. Light will turn on automatically at dusk and will be brighter when motion is detected. The Light duration when Motion sensor is activated is about 45 Seconds and then returns to a normal mode.
3. Reattach the round glass cover by turning it clockwise.

Fig. 3



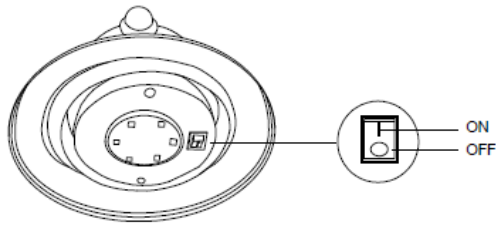


Fig. 2

Fig. 2

Replacing the Batteries (Fig. 4)

(After several years of use, the battery may need replacing).

1. Remove the round glass cover by turning it counterclockwise. Make sure the ON/OFF switch is in the OFF (O) position.
2. Unscrew the 2 screws to release the metal cover.
3. Unscrew the battery compartment screw on the back of the metal cover.
4. Unclip the connector and remove the old battery. Make sure the new battery is high quality 3.2V/1500mAh Li-Ion rechargeable battery with connector.
5. Clip on new battery and install into the battery compartment. Screw back battery compartment screw.
6. Reassemble the unit by reversing the above procedure.

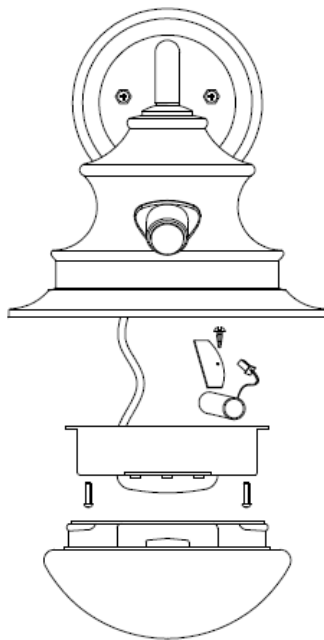


Fig. 4

WARNING: Do not dispose of Li-Ion battery in the regular trash, municipal waste stream or by fire as batteries may leak or explode. Do not open, short circuit, or mutilate batteries as injury may occur. Preserve our environment by recycling Li-Ion batteries or disposing of them in accordance with local, State and federal regulations. Do not mix old and new batteries.

Maintenance

Clean the solar panels regularly with a damp towel to guarantee optimum performance. Do not use any type of solvent for cleaning and be careful not to put too much pressure on the solar panels while cleaning.

Trouble Shooting

If your solar charged light does not come on at dusk despite observance of all the instructions, please try the following steps:

1. Make sure that the solar panel is not being affected by any other light source.
2. Ensure the solar panel is not positioned in the shade during the day.
3. Make sure the switch in the lamp head is the On (|) position.
4. Check that the batteries are installed correctly.

NOTE: The performance of the solar lamp will vary with the time of year. It will deliver more light when it has had a full day in the sun rather than a day in overcast weather.

WINTERTIME TIPS: For optimal performance, be sure to remove any snow or debris accumulation from solar panel. A solar panel free of debris will charge the batteries much more efficiently.

WARNING: Please keep out of reach of children.

