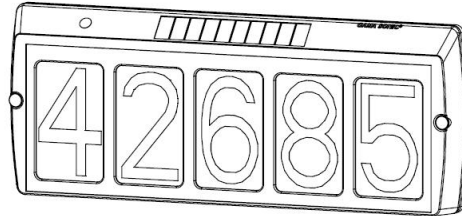




Model: GS-80
Solar Charged Address Light



Instruction Manual

Introduction

Thank you for your purchase. **GAMA SONIC®** solar charged accent lighting eliminates the problems associated with most solar lighting available today. **GAMA SONIC®** solar charged lights are brighter and last all night with a typical solar charge. Unique design, superior light output and numerous installation options confirm the outstanding value of the product.

GAMA SONIC® has been recognized as a worldwide leader in the lighting industry for over 20 years. The company also offers unique multi-purpose rechargeable products that range from party lights to emergency lighting products.

For technical assistance and more information call our Toll Free number: 800-741-3571 (only within the US) or visit our website at:

www.gamasonic.com.

Please read the instruction manual carefully to obtain the best results from your purchase.

Specification

- 5 Super high bright LED, 100,000 hours life cycle
- Solar powered by Mono Crystalline Solar Cell
- 2 Rechargeable Ni-Cd AA battery 1.2V/600Ma
- Operating time: Up to 15 hours run time with 6 hours of sun charging
- Automatic switch: on at night, off during the day
- Water-resistant construction

Solar Light Location

1. Place the solar address light in a position where sunlight will reflect on the solar panel free from cover and shade.

2. Make sure that the solar panel is not going to be affected by any other light source. Otherwise the light will not illuminate at dusk.

Placing your Address Digits

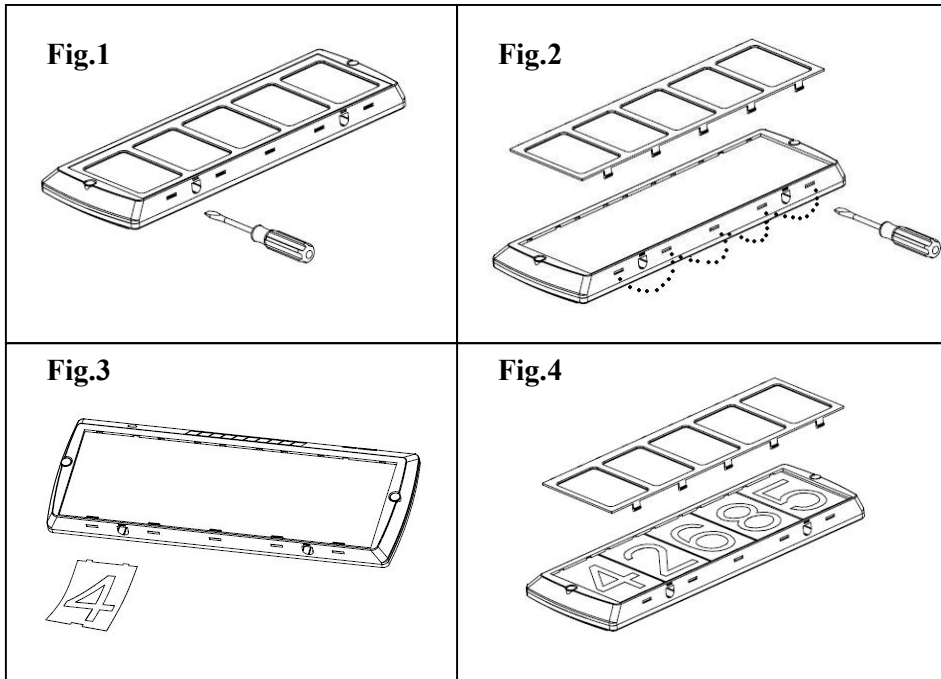


Fig.1: Tools required: screwdriver (not included).

Fig.2: Take out the digits frame using the screwdriver.

Fig.3: Choose your address digits and place them inside the unit board. If your address contains less than 5 digits you may use the blank cards provided.

Fig.4: Return the digits frame.

Assembly Instructions

Ground Mounting

1. Assemble the mounting poles (B1, B2) and Stake (C); (as shown in fig.5).

Note: there are 2 optional heights to use for your convenience.

2. Slide the body unit (A) into the upper part (B) using the 2 joints (J) provided.
3. Carefully insert the stakes into the ground where desired.

NOTE: If the ground is hard and packed, moisten the ground with water before inserting the stake (to avoid breakage). Use a rubber mallet (not included), if necessary, to gently tap stake into ground.

Fig. 5

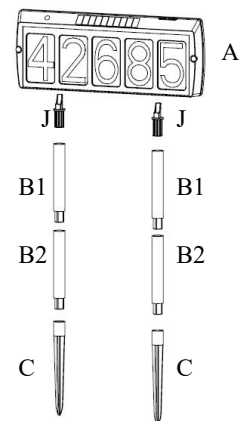
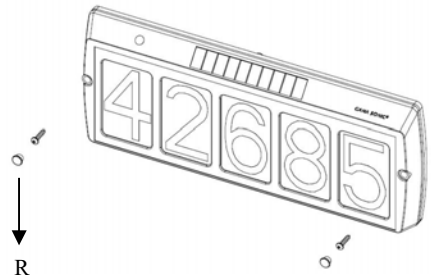


Fig. 3

Wall Mounting

1. Take out the 2 round parts (R) located on the sides of the body unit.
2. Fix the unit to the wall using the screws and anchors provided (as shown in fig.3).

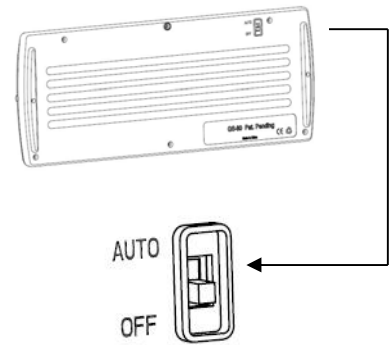


Operation

Adjust the switch located on the backside of the unit to “AUTO” position (as shown in fig. 4)

Note: For best results, allow the solar lamp to be charged for two consecutive sunny days in the “On” position.

Fig. 4

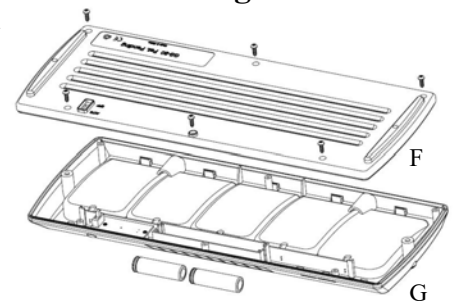


Replacing the Batteries

(After several years of use, the batteries may need replacing).

1. Detach the backside of the unit (F) from the front board (G) by releasing the 6 screws (as shown in Fig. 4).
2. Remove the old Battery. Make sure the new battery is high quality Ni-Cd AA rechargeable battery.
3. Install the new battery into the battery compartment, ensuring the correct polarity is observed.
4. Reassemble the unit by reversing the above procedure.

Fig. 4



WARNING: Do not dispose of Ni-Cd batteries in the regular trash, municipal waste stream or by fire as batteries may leak or explode. Do not open, short circuit, or mutilate batteries as injury may occur. Preserve our environment by recycling Ni-Cd batteries or disposing of them in accordance with local, State and federal regulations. Do not mix old and new batteries. Do not mix Alkaline, Standard (Carbon-Zinc) or rechargeable (Nickel Cadmium) batteries.

Maintenance

Clean the solar module regularly with a damp towel to guarantee optimum performance of the solar panel. Do not use any type of solvent for cleaning and be careful not to put too much pressure on the module while cleaning.

Trouble Shooting

If your solar charged light does not come on at dusk despite observance of all the instructions, please try the following steps:

1. Make sure that the solar light is not being affected by any other light source.
2. Ensure the solar light is not positioned in the shade during the day.
3. Make sure the switch is in “AUTO” position.
4. Check that the batteries are installed correctly.

NOTE: The performance of the solar light will vary with the time of year. It will deliver more light when it has had a full day in the sun rather than a day in overcast weather.

WINTERTIME TIPS: Keep snow and debris cleaned off the solar panels so the batteries can recharge. If the lights are covered with snow for an extended period of time, after the snow melts, allow all the batteries to charge in full, direct sunlight for at least 6 hours to their maximum capacity.

WARNING: Please keep out of reach of children.

