



Hanging Basket with Solar Light

Instruction Manual

Model: GS-6

Introduction

Thank you for your purchase. **GAMA SONIC®** solar charged accent lighting eliminates the problems associated with most solar lighting available today. **GAMA SONIC®** solar charged lights are brighter and last all night with a typical solar charge. Unique design, superior light output and numerous installation options confirm the outstanding value of our product.

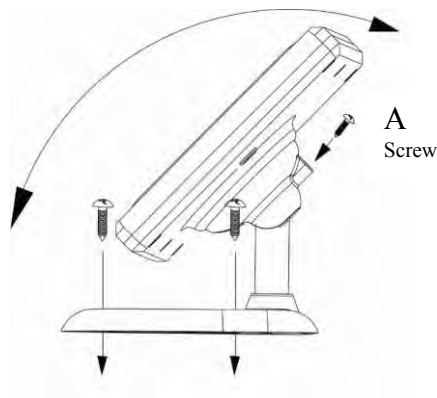
GAMA SONIC® has been recognized as a worldwide leader in the lighting industry for over 20 years. The company also offers unique multi-purpose rechargeable products that range from party lights to emergency lighting products.

Please read the instruction manual carefully to obtain the best results from your purchase

Fig. 1



Fig. 2



Solar Panel Location

For optimum light duration throughout the night, it is very important to place the solar panel in a spot where it will receive the maximum amount of direct sunlight throughout the day.

NOTE: For best results, the solar light must be charged for two sunny days in the “OFF” position.

Installation and operation Instructions

1. Mount the solar panel with the 2 screws provided and adjust the panel to 45 degree for optimum sun light (Fig. 2). Tighten Screw A once the panel has been adjusted. (Fig. 2)
2. Attached the 3 chains from the light fixture to the basket and hang it on a hook by the ring on top of the light
3. Connect the wire from the light to the solar panel as shown in Fig. 1.
4. Switch the On/Off switch located in the center of the light to On position (Fig. 1).

Replacing the Batteries

(After several years of use, the battery may need replacing).

1. Make sure the ON/OFF switch is in the OFF position.
2. Unscrew the two screws from the center of the light and detach the cap from the light fixture (Fig. 3 and 4).
3. Unclip the connector (Fig. 4) and remove the old battery (Fig. 5). Make sure the new battery is high quality 3.2V/1,500mAh Li-ion Rechargeable battery with connector.
4. Clip on new battery and install into the battery compartment.
5. Reattach the cap to the light fixture and secure with the 2 screws.

Fig. 3

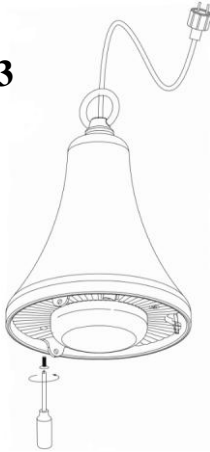


Fig. 4

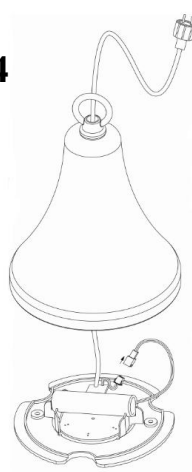
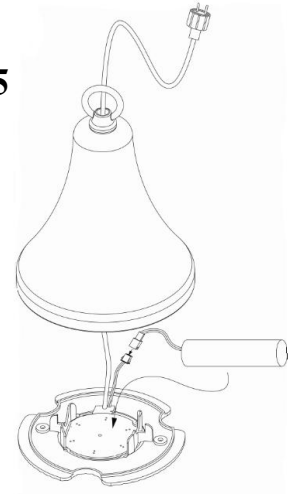


Fig. 5



WARNING: Do not dispose of Li-Ion battery in the regular trash, municipal waste stream or by fire as batteries may leak or explode. Do not open, short circuit, or mutilate batteries as injury may occur. Preserve our environment by recycling Li-Ion batteries or disposing of them in accordance with local, State and federal regulations. Do not mix old and new batteries.

Maintenance

Clean the solar panels regularly with a damp towel to guarantee optimum performance. Do not use any type of solvent for cleaning and be careful not to put too much pressure on the solar panels while cleaning.

Trouble Shooting

If your solar charged light does not come on at dusk despite observance of all the instructions, please try the following steps:

1. Make sure that the solar lamp is not being affected by any other light source.
2. Ensure the solar lamp is not positioned in the shade during the day.
3. Make sure the switch on the lamp head is in ON position.
4. Check that the batteries are installed correctly.

NOTE: The performance of the solar lamp will vary with the time of year. It will deliver more light when it has had a full day in the sun rather than a day in overcast weather.

WINTERTIME TIPS: For optimal performance, be sure to remove any snow or debris accumulation from solar panel(s). A solar panel free of debris will charge the batteries much more efficiently.

WARNING: Please keep out of reach of children.

