

# HIGH BAY 185W TITANIUM LED SERIES



PRO



Medium Optic (ME) comes standard



Aisle Optic (AL) option



Prismatic Optic (GP) option

- 2x2' compact form factor with flicker-free driver
- Prismatic, medium & aisle beam distributions available
- Suspended or pendant mount installation
- 120-277V circuit and 0-10V dimming control compatible
- Exceptional efficacy 135 LPW
- Extra long 100,000 hour lifetime



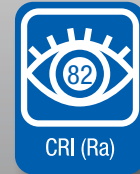
100,000 H



DIMMABLE



135  
LPW  
EFFICACY



CRI (Ra)  
82



MEDIUM OPTIC  
80°



## HIGH BAY PRODUCT FEATURES

### Modular Construction

The 185W HIGH BAY comes in a 2x2' form factor and is available in three different beam distributions. This low glare and flicker-free luminaire is suitable for replacing HID and fluorescent high bays at mounting heights between 30-50'.



**COOLSINK OPEN AIR DESIGN WITH VENTED HOUSING**

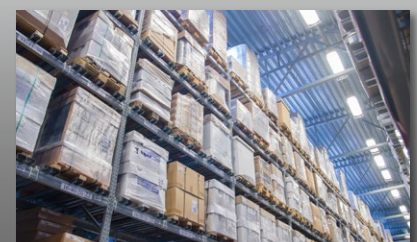
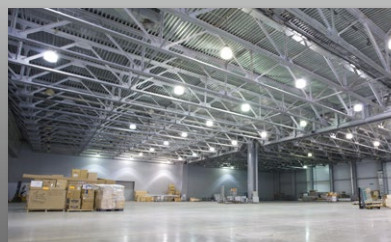
**LIGHTWEIGHT, STURDY CONSTRUCTION**

**FLICKER-FREE DRIVER**

**AISLE, MEDIUM & GENERAL LIGHT DISTRIBUTIONS**

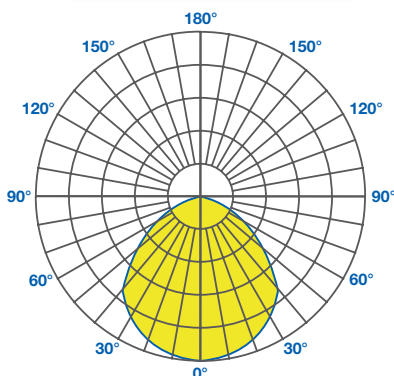
### Versatile Application

The HYPERBAY SERIES' customizable optics, installation options, accessories and -22°F/-30°C - 131°F/55°C ambient temperature rating allows each luminaire to be used in a broad variety of applications including warehouses, manufacturing facilities, gymnasiums, commercial facilities, convention centers and more.



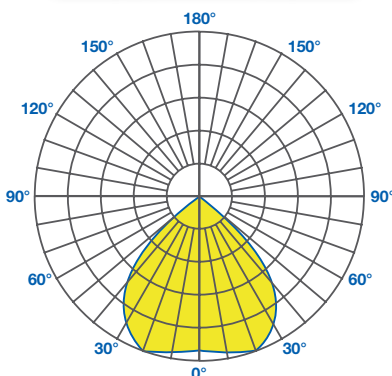
## LIGHT DISTRIBUTION

### PRISMATIC (GP)



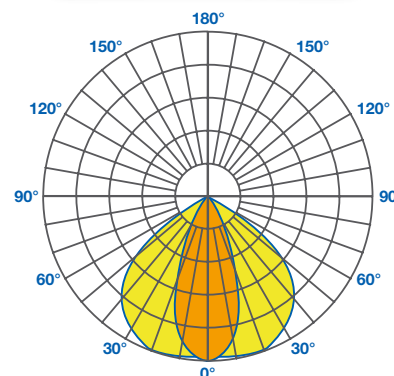
Application: Open floor at low to medium mounting heights  
Beam Distribution: 100°

### MEDIUM (ME)



Application: Open floor at medium to high mounting heights  
Beam Distribution: 80°

### AISLE (AL)

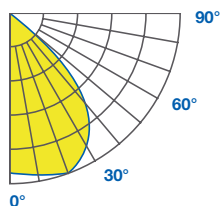


Application: Aisle or rack at low to high mounting heights  
Beam Distribution: 90° (0° viewing angle)  
45° (90° viewing angle)

## 185HBAY/850/ME

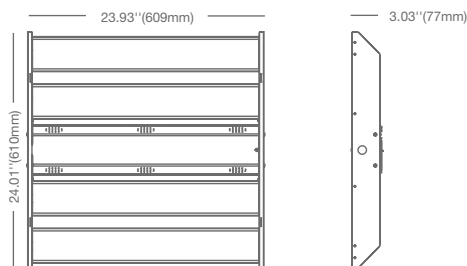
### Zonal Distribution

Luminaire Lumens	25,159
Total Luminaire Efficiency	100%
Luminaire Efficacy	136
Total Luminaire Watts	185.26



Zone	Lumens	%Luminaire
0-20	6210.65	24.7
0-30	13,554.08	53.9
0-40	20,686.36	82.2
0-60	24,626.88	97.9
0-80	25,122.35	99.9
0-90	25,142.98	99.9

<b>Voltage:</b>	120-277V, 347-480V*
<b>Dimmable:</b>	0-10V
<b>PF:</b>	0.9
<b>Temp. Rating:</b>	-22°F/-30°C - 131°F/55°C
<b>Lifetime:</b>	100,000 hrs
<b>Weight:</b>	11lbs. / 5kg



## SPECIFICATIONS

Model	Product	Power (W)	CCT	CRI (typ.)	Lumens	LPW	Distribution	Dim	DLC
185HBAY/840/GP	58227	185	Cool White 4000K	82	22,700	123	100°	Yes	Standard
185HBAY/840/ME	58228	185	Cool White 4000K	82	25,000	135	80°	Yes	Premium
185HBAY/840/AL	58230	185	Cool White 4000K	82	25,000	135	45°/90°	Yes	Premium
185HBAY/850/GP	58232	185	Day Light 5000K	82	22,700	123	100°	Yes	Standard
<b>185HBAY/850/ME</b>	<b>58233</b>	<b>185</b>	<b>Day White 5000K</b>	<b>82</b>	<b>25,000</b>	<b>135</b>	<b>80°</b>	<b>Yes</b>	<b>Premium</b>
185HBAY/850/AL	58235	185	Day White 5000K	82	25,000	135	45°/90°	Yes	Premium

\* Select 347V for the Voltage option under Product Ordering Information

\*\* Suitable for damp locations. Not for use where directly exposed to weather or water

## PRODUCT ORDERING INFORMATION

Must Select				Options (Factory Installation): Select or Leave Blank				
Power	CRI	CCT	Optics	Voltage	Sensor	EM Backup	Surge Protector	Power Cord
185HBAY 185W	8 82	35 3500K (MTO)	GP General Prismatic	(Blank) 120-277V	(Blank) None	(Blank) None	(Blank) None	(Blank) None
		40 4000K	ME Medium	347V 347-480V	OCCDIM20 20' Occupancy Dimming	EM 20W EM Backup	SP Surge Protector 10kV	PC6 6' Power Cord
		50 5000K	AL Aisle		OCCDIM40 40' Occupancy Dimming			PC12 12' Power Cord

Ex. 185HBAY/850/GP/OCC40/EM/SP/PC12

## ACCESSORY ORDERING INFORMATION

Model	Product	Description
HBAYOCCDIMRC	97859	Remote Control for OCCDIM20 & OCCDIM40
HBAYWG4XMOD	58282	130W & 185W Wire Guard
HBAYPENDHANG	58283	Rod/Stem Pendant Mount (Rod/Stem Not Included)
HBAY10CABLE	97862	10' Aircraft Cable & Cable Gripper (For Use with V-hooks)
HBAY20CABLE	97863	20' Aircraft Cable & Cable Gripper (For Use with V-hooks)