

HIGH BAY 185W TITANIUM LED SERIES



PRO



Medium Optic (ME) comes standard



Aisle Optic (AL) option



Prismatic Optic (GP) option

- 2x2' compact form factor with flicker-free driver
- Prismatic, medium & aisle beam distributions available
- Suspended or pendant mount installation
- 120-277V circuit and 0-10V dimming control compatible
- Exceptional efficacy 135 LPW
- Extra long 100,000 hour lifetime



100,000 H



DIMMABLE



135
LPW
EFFICACY



82
CRI (Ra)



80°
MEDIUM OPTIC



HIGH BAY PRODUCT FEATURES

Modular Construction

The 185W HIGH BAY comes in a 2x2' form factor and is available in three different beam distributions. This low glare and flicker-free luminaire is suitable for replacing HID and fluorescent high bays at mounting heights between 30-50'.



COOLSINK OPEN AIR DESIGN WITH VENTED HOUSING

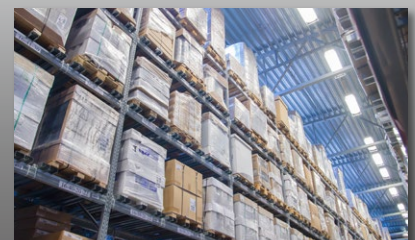
LIGHTWEIGHT, STURDY CONSTRUCTION

FLICKER-FREE DRIVER

AISLE, MEDIUM & GENERAL LIGHT DISTRIBUTIONS

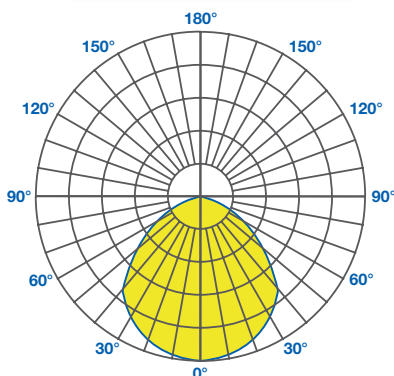
Versatile Application

The HYPERBAY SERIES' customizable optics, installation options, accessories and -22°F/-30°C - 131°F/55°C ambient temperature rating allows each luminaire to be used in a broad variety of applications including warehouses, manufacturing facilities, gymnasiums, commercial facilities, convention centers and more.



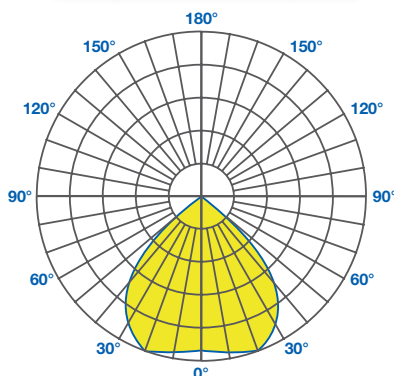
LIGHT DISTRIBUTION

PRISMATIC (GP)



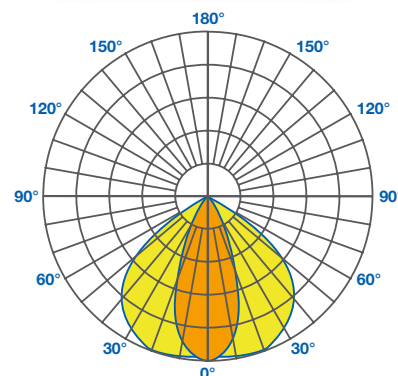
Application: Open floor at low to medium mounting heights
Beam Distribution: 100°

MEDIUM (ME)



Application: Open floor at medium to high mounting heights
Beam Distribution: 80°

AISLE (AL)

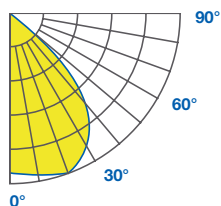


Application: Aisle or rack at low to high mounting heights
Beam Distribution: 90° (0° viewing angle)
45° (90° viewing angle)

185HBAY/850/ME

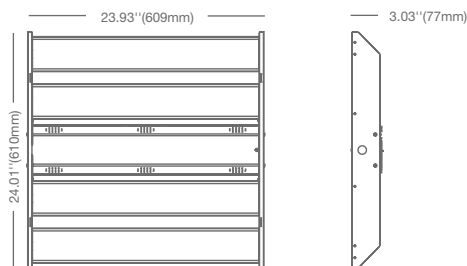
Zonal Distribution

Luminaire Lumens	25,159
Total Luminaire Efficiency	100%
Luminaire Efficacy	136
Total Luminaire Watts	185.26



Zone	Lumens	%Luminaire
0-20	6210.65	24.7
0-30	13,554.08	53.9
0-40	20,686.36	82.2
0-60	24,626.88	97.9
0-80	25,122.35	99.9
0-90	25,142.98	99.9

Voltage:	120-277V, 347-480V*
Dimmable:	0-10V
PF:	0.9
Temp. Rating:	-22°F/-30°C - 131°F/55°C
Lifetime:	100,000 hrs
Weight:	11lbs. / 5kg



SPECIFICATIONS

Model	Product	Power (W)	CCT	CRI (typ.)	Lumens	LPW	Distribution	Dim	DLC
185HBAY/840/GP	58227	185	Cool White 4000K	82	22,700	123	100°	Yes	Standard
185HBAY/840/ME	58228	185	Cool White 4000K	82	25,000	135	80°	Yes	Premium
185HBAY/840/AL	58230	185	Cool White 4000K	82	25,000	135	45°/90°	Yes	Premium
185HBAY/850/GP	58232	185	Day Light 5000K	82	22,700	123	100°	Yes	Standard
185HBAY/850/ME	58233	185	Day White 5000K	82	25,000	135	80°	Yes	Premium
185HBAY/850/AL	58235	185	Day White 5000K	82	25,000	135	45°/90°	Yes	Premium

* Select 347V for the Voltage option under Product Ordering Information

** Suitable for damp locations. Not for use where directly exposed to weather or water

PRODUCT ORDERING INFORMATION

Must Select				Options (Factory Installation): Select or Leave Blank				
Power	CRI	CCT	Optics	Voltage	Sensor	EM Backup	Surge Protector	Power Cord
185HBAY 185W	8 82	35 3500K (MTO)	GP General Prismatic	(Blank) 120-277V	(Blank) None	(Blank) None	(Blank) None	(Blank) None
		40 4000K	ME Medium	347V 347-480V	OCCDIM20 20' Occupancy Dimming	EM 20W EM Backup	SP Surge Protector 10kV	PC6 6' Power Cord
		50 5000K	AL Aisle		OCCDIM40 40' Occupancy Dimming			PC12 12' Power Cord

Ex. 185HBAY/850/GP/OCC40/EM/SP/PC12

ACCESSORY ORDERING INFORMATION

Model	Product	Description
HBAYOCCDIMRC	97859	Remote Control for OCCDIM20 & OCCDIM40
HBAYWG4XMOD	58282	130W & 185W Wire Guard
HBAYPENDHANG	58283	Rod/Stem Pendant Mount (Rod/Stem Not Included)
HBAY10CABLE	97862	10' Aircraft Cable & Cable Gripper (For Use with V-hooks)
HBAY20CABLE	97863	20' Aircraft Cable & Cable Gripper (For Use with V-hooks)