

HIGH BAY 130W TITANIUM LED SERIES



PRO



Medium Optic (ME) comes standard



Aisle Optic (AL) option



Prismatic Optic (GP) option

- 2x2' compact form factor with flicker-free driver
- Prismatic, medium & aisle beam distributions available
- Suspended or pendant mount installation
- 120-277V circuit and 0-10V dimming control compatible
- Exceptional efficacy 145 LPW
- Extra long 100,000 hour lifetime



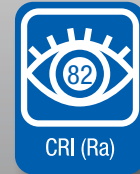
100,000 H



DIMMABLE



145
LPW
EFFICACY



CRI (Ra)



80°
MEDIUM OPTIC



HIGH BAY PRODUCT FEATURES

Compact Design

The 130W HIGH BAY comes in a 2x2' form factor and is available in three different beam distributions. This low glare and flicker-free luminaire is suitable for replacing HID and fluorescent low and high bays at mounting heights between 20-35'.



COOLSINK OPEN AIR DESIGN WITH VENTED HOUSING

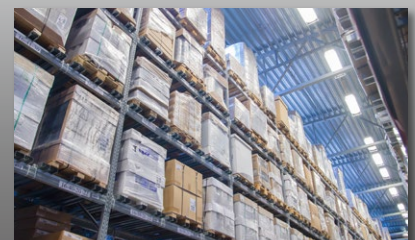
LIGHTWEIGHT, STURDY CONSTRUCTION

FLICKER-FREE DRIVER

AISLE, MEDIUM & GENERAL LIGHT DISTRIBUTIONS

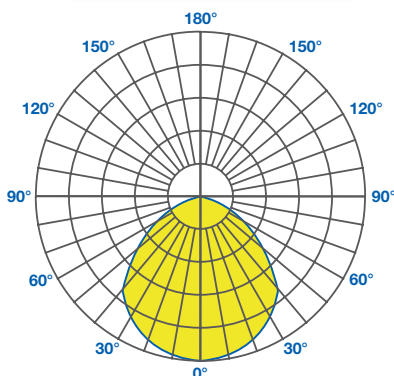
Versatile Application

The HYPERBAY SERIES' customizable optics, installation options, accessories and -22°F/-30°C - 131°F/55°C ambient temperature rating allows each luminaire to be used in a broad variety of applications including warehouses, manufacturing facilities, gymnasiums, commercial facilities, convention centers and more.



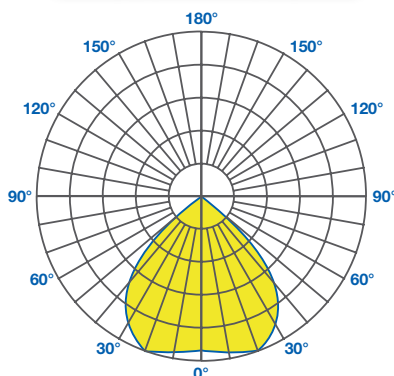
LIGHT DISTRIBUTION

PRISMATIC (GP)



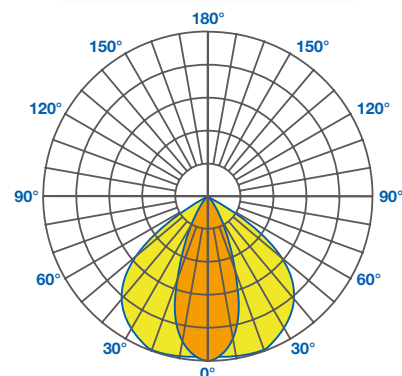
Application: Open floor at low to medium mounting heights
Beam Distribution: 100°

MEDIUM (ME)



Application: Open floor at medium to high mounting heights
Beam Distribution: 80°

AISLE (AL)

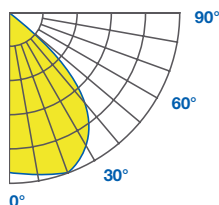


Application: Aisle or rack at low to high mounting heights
Beam Distribution: 90° (0° viewing angle)
45° (90° viewing angle)

130HBAY/850/ME

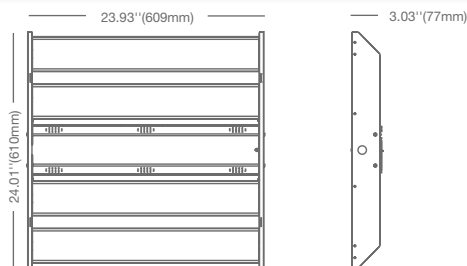
Zonal Distribution

| | |
|----------------------------|--------|
| Luminaire Lumens | 19,068 |
| Total Luminaire Efficiency | 100% |
| Luminaire Efficacy | 145 |
| Total Luminaire Watts | 131.32 |



| Zone | Lumens | %Luminaire |
|------|-----------|------------|
| 0-20 | 4718.88 | 24.7 |
| 0-30 | 10,325.48 | 54.2 |
| 0-40 | 15,746.28 | 82.6 |
| 0-60 | 18,663.15 | 97.9 |
| 0-80 | 19,040.13 | 99.9 |
| 0-90 | 19,055.85 | 99.9 |

| | |
|----------------------|--------------------------|
| Voltage: | 120-277V, 347-480V* |
| Dimmable: | 0-10V |
| PF: | 0.9 |
| Temp. Rating: | -22°F/-30°C - 131°F/55°C |
| Lifetime: | 100,000 hrs |
| Weight: | 11lbs. / 5kg |



SPECIFICATIONS

| Model | Product | Power (W) | CCT | CRI (typ.) | Lumens | LPW | Distribution | Dim | DLC |
|-----------------------|--------------|------------|------------------------|------------|---------------|------------|--------------|------------|----------------|
| 130HBAY/840/GP | 58212 | 130 | Cool White 4000K | 82 | 17,200 | 132 | 100° | Yes | Premium |
| 130HBAY/840/ME | 58213 | 130 | Cool White 4000K | 82 | 18,900 | 145 | 80° | Yes | Premium |
| 130HBAY/840/AL | 58215 | 130 | Cool White 4000K | 82 | 18,900 | 145 | 45°/90° | Yes | Premium |
| 130HBAY/850/GP | 58217 | 130 | Day White 5000K | 82 | 17,200 | 132 | 100° | Yes | Premium |
| 130HBAY/850/ME | 58218 | 130 | Day White 5000K | 82 | 18,900 | 145 | 80° | Yes | Premium |
| 130HBAY/850/AL | 58220 | 130 | Day White 5000K | 82 | 18,900 | 145 | 45°/90° | Yes | Premium |

* Select 347V for the Voltage option under Product Ordering Information

** Suitable for damp locations. Not for use where directly exposed to weather or water

HIGH BAY 130W TITANIUM LED SERIES



Ref.#: DS224-HB-130W-2X2-220317

PRODUCT ORDERING INFORMATION

| Must Select | | | | Options (Factory Installation): Select or Leave Blank | | | | |
|-----------------|---------|-------------------|-------------------------|---|-----------------------------------|---------------------|----------------------------|------------------------|
| Power | CRI | CCT | Optics | Voltage | Sensor | EM Backup | Surge Protector | Power Cord |
| 130HBAY 130W | 8 82 | 35 3500K (MTO) | GP General Prismatic | (Blank) 120-277V | (Blank) None | (Blank) None | (Blank) None | (Blank) None |
| | | 40 4000K | ME Medium | 347V 347-480V | OCCDIM20 20' Occupancy Dimming | EM 20W EM Backup | SP Surge Protector 10kV | PC6 6' Power Cord |
| | | 50 5000K | AL Aisle | | OCCDIM40 40' Occupancy Dimming | | | PC12 12' Power Cord |

Ex. 130HBAY/850/GP/OCC40/EM/SP/PC12

ACCESSORY ORDERING INFORMATION

| Model | Product | Description |
|--------------|---------|---|
| HBAYOCCDIMRC | 97859 | Remote Control for OCCDIM20 & OCCDIM40 |
| HBAYWG4XMOD | 58282 | 130W & 185W Wire Guard |
| HBAYPENDHANG | 58283 | Rod/Stem Pendant Mount (Rod/Stem Not Included) |
| HBAY10CABLE | 97862 | 10' Aircraft Cable & Cable Gripper (For Use with V-hooks) |
| HBAY20CABLE | 97863 | 20' Aircraft Cable & Cable Gripper (For Use with V-hooks) |