

# HIGH BAY 95W TITANIUM LED SERIES



PRO



Prismatic Optic (GP) comes standard

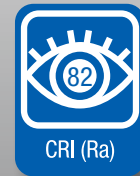


Medium Optic (ME) option



Aisle Optic (AL) option

- ⌚ **2x2' compact form factor with flicker-free driver**
- ⌚ **Prismatic, medium & aisle beam distributions available**
- ⌚ **Suspended or pendant mount installation**
- ⌚ **120-277V circuit and 0-10V dimming control compatible**
- ⌚ **Exceptional efficacy 139 LPW**
- ⌚ **Extra long 100,000 hour lifetime**



## HIGH BAY PRODUCT FEATURES

### Compact Design

The 95W HIGH BAY comes in a 2x2' form factor and is available in three different beam distributions. This low glare and flicker-free luminaire is suitable for replacing HID and fluorescent low and high bays at mounting heights between 15-25'.



**COOLSINK OPEN AIR DESIGN WITH VENTED HOUSING**

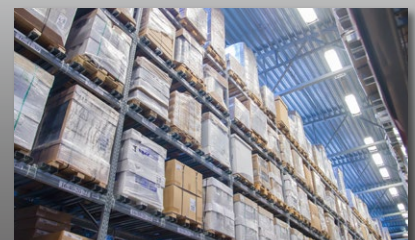
**LIGHTWEIGHT, STURDY CONSTRUCTION**

**FLICKER-FREE DRIVER**

**AISLE, MEDIUM & GENERAL LIGHT DISTRIBUTIONS**

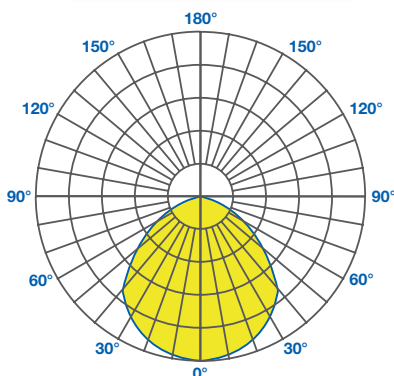
### Versatile Application

The HYPERBAY SERIES' customizable optics, installation options, accessories and -22°F/-30°C - 131°F/55°C ambient temperature rating allows each luminaire to be used in a broad variety of applications including warehouses, manufacturing facilities, gymnasiums, commercial facilities, convention centers and more.



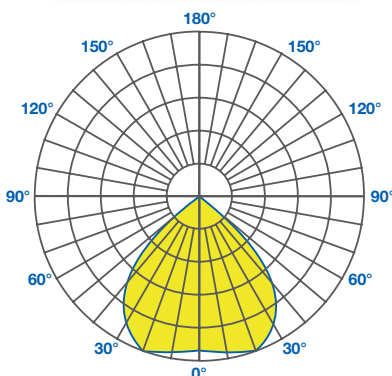
## LIGHT DISTRIBUTION

### PRISMATIC (GP)



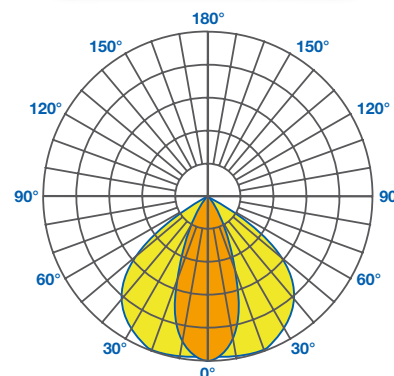
Application: Open floor at low to medium mounting heights  
Beam Distribution: 100°

### MEDIUM (ME)



Application: Open floor at medium to high mounting heights  
Beam Distribution: 80°

### AISLE (AL)

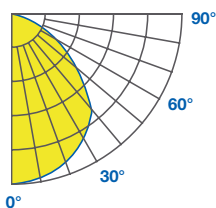


Application: Aisle or rack at low to high mounting heights  
Beam Distribution: 90° (0° viewing angle)  
45° (90° viewing angle)

## 95HBAY/850/GP

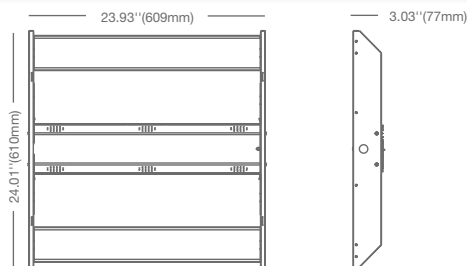
### Zonal Distribution

Luminaire Lumens	12,067
Total Luminaire Efficiency	100%
Luminaire Efficacy	125
Total Luminaire Watts	96.46



Zone	Lumens	%Luminaire
0-20	1963.78	16.3
0-30	4134.4	34.3
0-40	6610.16	54.8
0-60	10,481.59	86.9
0-80	11,938.49	98.9
0-90	12,057.29	99.9

<b>Voltage:</b>	120-277V, 347-480V*
<b>Dimmable:</b>	0-10V
<b>PF:</b>	0.9
<b>Temp. Rating:</b>	-22°F/-30°C - 131°F/55°C
<b>Lifetime:</b>	100,000 hrs
<b>Weight:</b>	11lbs. / 5kg



## SPECIFICATIONS

Model	Product	Power (W)	CCT	CRI (typ.)	Lumens	LPW	Distribution	Dim	DLC
95HABY/840/GP	58197	95	Cool White 4000K	82	11,800	125	100°	Yes	Standard
95HABY/840/ME	58198	95	Cool White 4000K	82	13,100	138	80°	Yes	Premium
95HABY/840/AL	58200	95	Cool White 4000K	82	13,100	138	45°/90°	Yes	Premium
95HABY/850/GP	58202	95	Day White 5000K	82	11,900	125	100°	Yes	Standard
95HABY/850/ME	58203	95	Day White 5000K	82	13,200	139	80°	Yes	Premium
95HABY/850/AL	58205	95	Day White 5000K	82	13,200	139	45°/90°	Yes	Premium

\* Select 347V for the Voltage option under Product Ordering Information

\*\* Suitable for damp locations. Not for use where directly exposed to weather or water

## PRODUCT ORDERING INFORMATION

Must Select				Options (Factory Installation): Select or Leave Blank				
Power	CRI	CCT	Optics	Voltage	Sensor	EM Backup	Surge Protector	Power Cord
95HBAY 95W	8 82	35 3500K (MTO)	GP General Prismatic	(Blank) 120-277V	(Blank) None	(Blank) None	(Blank) None	(Blank) None
		40 4000K	ME Medium	347V 347-480V	OCCDIM20 20' Occupancy Dimming	EM 20W EM Backup	SP Surge Protector 10kV	PC6 6' Power Cord
		50 5000K	AL Aisle		OCCDIM40 40' Occupancy Dimming			PC12 12' Power Cord

Ex. 95HBAY/850/GP/OCC40/EM/SP/PC12

## ACCESSORY ORDERING INFORMATION

Model	Product	Description
HBAYOCCDIMRC	97859	Remote Control for OCCDIM20 & OCCDIM40
HBAYWG2XMOD	58281	95W High Bay Wire Guard
HBAYPENDHANG	58283	Rod/Stem Pendant Mount (Rod/Stem Not Included)
HBAY10CABLE	97862	10' Aircraft Cable & Cable Gripper (For Use with V-hooks)
HBAY20CABLE	97863	20' Aircraft Cable & Cable Gripper (For Use with V-hooks)