



# LED ESPL4-1150e

Part #: EF SPL4/B/42W/4500/105D/50K/PLUG/E Linear Class: Suspended 4ft. 2 Lamp

## Product Description

**LED** ESPL4-1150e delivers superior brightness, valuable energy savings and long lasting performance. This LED Shop Light is ideal for task lighting due to its uniform \*stark white light (5000K) and replaces 75 Watt lamps. Enjoy features such as: instant on, shatter resistance, mercury free and connectivity with up to 10 other lamps.



**Estimated Energy Cost:** \$5.05 per year

\*Note: Design, features and specifications subject to change without notice. Some features may not be available on all models.



### Linkable

Connect up to 10 lights!  
Hanging chain & linking hardware are Included.

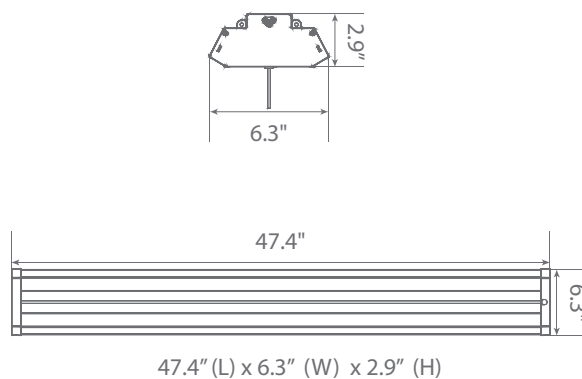
## Specifications

Input Power	Input Voltage	Lumen Output	Beam Angle	Center Beam	CCT
42 W	120 V / 60 Hz	4000 lm	105°	N/A	5000 K
CRI	Luminous Efficacy	Power Factor	Input Current	Base/Cap	Lamp Lifespan
80	95.2 lm/W	0.9	0.3 A	Plug-in	25,000 Hrs.

### Product Features

- Non-Dimmable
- Instant-On/Off
- Mercury Free
- Energy Efficient

### Product Dimensions



### Product Photometric Data

