

## FEATURES & SPECIFICATIONS

**INTENDED USE** — Ideal one-for-one replacement of conventional HID and fluorescent high bay systems. Applications include warehousing, manufacturing, gymnasiums, and other large indoor spaces with mounting heights up to 60'. **Certain airborne contaminants can diminish the integrity of acrylic and/or polycarbonate.**

**CONSTRUCTION** — Lightweight aluminum heat sink designed to perform in ambient temperatures up to 55 °C for maximum naturally convective cooling. Structural elements such as the channel and end caps are fabricated from steel for maximum rigidity. Wireguard attachment points provided.

**OPTICS** — General, narrow, wide and focus distributions available to meet both horizontal and vertical light level requirements. Injection molded refractors for repeatable photometry. Diffuse lens standard to provide glare control and LED protection.

**ELECTRICAL** — L88 at 60,000 hours, L70>100,000 hours. Utilizes a 90°C case temperature driver for maximum life at high temperatures. 0.90 power factor and 3kA/6kV level of surge protection is standard. Optional 5kA/10kV surge protection available. Available as 120-277V or 347-480V input. 0-10V dimming standard for a dimming range of 100% to 10%.

**WIRELESS NETWORKING** — XPoint™ Wireless technology creates a mesh network to ensure communication between fixtures, sensors and wall stations facility-wide. This option provides superior lighting management capabilities including granular control, configuration and custom grouping for increased energy savings.

**INSTALLATION** — Suitable for suspension by chain, cable, surface-mounting bracket (THUN accessory), hook monopoint or single (pendant) monopoint. Surface mounting not recommended without optional surface mounting bracket. To maintain ambient listing, fixture should be mounted at a minimum plenum height of 18".

**LISTINGS** — CSA certified to US and Canadian safety standards. Damp location listed. Suitable for ambient temperatures from -40°F (-40°C) to 113°F (45°C) when suspended 18" from ceiling. High ambient option available (HA), suitable for ambient temperatures -40°F (-40°C) to 131°F (55°C) when suspended 18" from ceiling. IP5X rated.

DesignLights Consortium® (DLC) Premium qualified product and DLC qualified product. Not all versions of this product may be DLC Premium qualified or DLC qualified.

**WARRANTY** — 5-year limited warranty.

**Note:** Actual performance may differ as a result of end-user environment and application.

All values are design or typical values, measured under laboratory conditions at 25 °C. Specifications subject to change without notice.

LED High Bay

# IBG



**Stock configurations are offered for shorter lead times:**

Standard Part Number	Stock Part Number
IBG 1200LM SEF AFL GND MVOLT OZ10 40K 80CRI DWH	<b>IBG 12L MVOLT</b>
IBG 1500LM SEF AFL GND MVOLT OZ10 40K 80CRI DWH	<b>IBG 15L MVOLT</b>
IBG 1800LM SEF AFL GND MVOLT OZ10 40K 80CRI DWH	<b>IBG 18L MVOLT</b>
IBG 2400LM SEF AFL GND MVOLT OZ10 40K 80CRI DWH	<b>IBG 24L MVOLT</b>

### A+ Capable Luminaire

This item is an A+ capable luminaire, which has been designed and tested to provide consistent color appearance and out-of-the-box control compatibility with simple commissioning.

- All configurations of this luminaire meet the Acuity Brands' specification for chromatic consistency
- This luminaire is part of an A+ Certified solution for nLight® or XPoint™ Wireless control networks marked by a **shaded background\***

\*See ordering tree for details

# IBG LED High Bay



A+ Capable options indicated by this color background.

## ORDERING INFORMATION

Lead times will vary depending on options selected. Consult with your sales representative.

**Example:** IBG 24000LM SEF AFL GND MVOLT OZ10 40K 80CRI DWH

IBG	Lumens		Performance package		Lens		Distribution		Voltage		Driver		Color temperature		
IBG	8000LM	8,000 lumens	30000LM	30,000 lumens	SEF	Standard efficiency	AFL	Acrylic, frosted	WD	Wide	MVOLT	120-277V	OZ10	0-10V dimming	30K 3000 K
IBGN <sup>1</sup>	12000LM	12,000 lumens	36000LM	36,000 lumens	HEF	Premium efficiency	ACL	Clear acrylic	GND	General	HVOLT	347-480V <sup>2</sup>			35K 3500 K
	15000LM	15,000 lumens	48000LM	48,000 lumens			PCL	Clear polycarbonate	ND	Narrow	120	120V			40K 4000 K
	18000LM	18,000 lumens	60000LM	60,000 lumens			PFL	Semi-diffuse polycarbonate	FD	Focus	208	208V			50K 5000 K
	24000LM	24,000 lumens					L/LENS	Less lens			240	240V			
											277	277V			
											347	347V <sup>3</sup>			
											480	480V <sup>3,4</sup>			

Coloring rendering index	Options				Finish
70CRI 70 CRI	HA	High ambient <sup>5</sup>			DNA Natural aluminum DWH Gloss white
80CRI 80 CRI	SPD	Surge protection device <sup>6</sup>	<u>Cord sets:</u>	<u>Controls:</u> <sup>15</sup>	
90CRI 90 CRI	BPK	Fixture backpack <sup>7</sup>	CS1W	Straight plug, 120V <sup>15</sup>	
	PS1050	Emergency battery pack <sup>8</sup>	CS3W	Twist-lock, 120V <sup>15</sup>	
	PS10250	Emergency battery pack <sup>9</sup>	CS7W	Straight plug, 277V <sup>15</sup>	
	PS30250	Emergency battery pack <sup>10</sup>	CS11W	Twist-lock, 277V <sup>15</sup>	
	BGTD	Generator transfer device <sup>11</sup>	CS25W	Twist-lock, 347V <sup>15</sup>	
	SF	Single fuse <sup>12</sup>	CS97W	Twist-lock, 480V <sup>15</sup>	
	DF	Double fuse <sup>13</sup>	CS93W	600 SO white cord, no plug (no voltage required)	
	OUTCTR	Wiring leads pulled through back center of fixture <sup>14</sup>	CS93W5CD	600 SO 5-conductor white cord, no plug (no voltage required)	
	OCS	RELOC <sup>®</sup> OnePass <sup>®</sup> selectable cable 6' installed <sup>15,16</sup>			
	OCU__	RELOC <sup>®</sup> OnePass <sup>®</sup> unselectable cable 6' installed (must specify tap position) <sup>15</sup>			
	IMP	Integrated modular plug <sup>17</sup>			
	RRL__	RELOC <sup>®</sup> -Ready luminaire. See page 10 for ordering information			
	WGX	Standard wire guard, installed			
				LCOZU	High mount aisleway motion sensor, pre-wired
				LCHOSZU	High mount aisleway motion sensor with dimming, pre-wired
				LCPZU	High mount aisleway motion sensor with photocell, pre-wired
				LAOZU	360° high mount motion sensor, pre-wired
				LAHOSZU	360° high mount motion sensor with dimming, pre-wired
				LAPZU	360° high mount motion sensor with photocell, pre-wired
				LAMOSZU	360° high mount motion sensor, dimming & switching photocell, pre-wired
				LCMOSZU	High mount aisleway motion sensor, dimming & switching photocell, pre-wired
				C6D0SUEM	360° high mount motion sensor, dimming & switching photocell capable, pre-wired; UL924 listed <sup>18</sup>
				C10D0SUEM	360° low mount motion sensor, dimming & switching photocell capable, pre-wired; UL924 listed <sup>18</sup>
				nPP16D	nLight <sup>®</sup> dimming & switching module <sup>19</sup>
				nPP16DER	nLight <sup>®</sup> dimming & switching module with emergency relay <sup>19</sup>
				nMSI	nLight <sup>®</sup> high mount aisleway motion sensor, pre-wired <sup>19</sup>
				nMSI360	nLight <sup>®</sup> 360° high mount motion sensor, pre-wired <sup>19</sup>
				nMSID	nLight <sup>®</sup> high mount aisleway motion sensor with dimming, pre-wired <sup>19</sup>
				nMSI360D	nLight <sup>®</sup> 360° high mount motion sensor with dimming, pre-wired <sup>19</sup>
				MSI6XADL DSCXADL	XPoint™ Wireless 360° high mount motion sensor with photocell
				XPW	XPoint™ Wireless 0-10V relay, external (utilizes XPA CMRBO) 55°C max ambient <sup>20</sup>
				XAD	XPoint™ Wireless 0-10V relay, internal, lower max ambient <sup>20,21</sup>

See Accessories and footnotes on next page

# IBG LED High Bay

Accessories: Order as separate catalog number.		
<b>Mounting:</b>		<b>Cord sets and sensors for IMP option:</b>
IBAC120 M20	Aircraft cable 10' with hook (one pair)	CS1WIMP Straight plug, 120V
IBAC240 M20	Aircraft cable 20' with hook (one pair)	CS3WIMP Twist-lock, 120V
IBHMP	Hook monopoint	CS7WIMP Straight plug, 277V
HBBS36	Chain hanger with chain, 36" (one pair)	CS11WIMP Twist-lock, 277V
IBGACVH	Aircraft 10' V hanger (one pair)	CS25WIMP Twist-lock 347V
IBGPMPHB	Pendant monopoint splice box, includes side covers (3/4" hub) for use with OUTCTR option	CS93WIMP 600V SO white cord, no plug (no voltage required)
HC36	Chain hanger and jack chain (pair)	CS97WIMP Twist-lock 480V
THUN	Tong hanger bracket (order 2 per fixture)	IBGMSIIMP Aisle sensor for use with IMP option
		IBGMSI360IMP 360° sensor for use with IMP option
		<b>Wire guards:</b>
		WGIBG22 Wire guard for IBG 2ft 2-module, gloss white
		WGIBG24 Wire guard for IBG 2ft 4-module, gloss white
		WGIBG26 Wire guard for IBG 2ft 6-module, gloss white
		WGIBG42 Wire guard for IBGN 4ft 2-module, gloss white
		WGIBG46 Wire guard for IBG 4ft 6-module, gloss white
		WGIBG22DNA Wire guard for IBG 2ft 2-module, natural aluminum
		WGIBG24DNA Wire guard for IBG 2ft 4-module, natural aluminum
		WGIBG26DNA Wire guard for IBG 2ft 6-module, natural aluminum
		WGIBG42DNA Wire guard for IBGN 4ft 2-module, natural aluminum
		WGIBG46DNA Wire guard for IBG 4ft 6-module, natural aluminum

## Notes

- 1 Available with 18000LM, 24000LM, 30000LM and 36000LM only.
- 2 Not available with 8000LM. Not available with BTGD, nPP16D, nPP16DER, PS1050, PS10250, PS30250 or XAD.
- 3 When ordered with 8000LM voltage selected utilizes the fixture back pack.
- 4 Not available with nPP16D or nPP16DER.
- 5 55 C when suspended, 45 C when surface mounted. Not available with BTGD, PS1050, PS10250, PS30250, XAD, or XPW.
- 6 Standard with HVOLT, 347, or 480V - only specify for MVOLT, 120, 208, 240, or 277V. Standard with Motion sensors/controls, BGTD & Power Sentry battery options.
- 7 Required with PS1050, PS10250, PS30250, BGTD. Required with 8000LM when ordered with 347/480V. Required with Xpoint controls when order with 347/480V. Not available with nLight. Not for use with THUN mount (surface).
- 8 Requires BPK option. Available 120-277V only. Available with 8000LM only. For ambient temperatures of 32°F to 122°F (0°C to 50°C).
- 9 Requires BPK option. Available 120-277V only. Not available with 8000LM. For ambient temperatures of 50°F to 122°F (10°C to 50°C).
- 10 Requires BPK option. 120 or 277V only. Not available with 8000LM. For ambient temperatures of 32°F to 122°F (0°C to 50°C).
- 11 Requires BPK option. 120 or 277V only. Not available with PS1050, PS10250, PS30250. Not available with 347 or 480V when ordered in combination with XAD or XPW. For ambient temperatures up to 113°F(45°C).
- 12 Available on 120, 277, 347V. Not available with MVOLT or HVOLT.
- 13 Available on 208, 240, 480V. Not available with MVOLT or HVOLT.
- 14 Not available with BPK option. Requires IBGPMPHB accessory to mount fixture. Not available with Cord Set options.
- 15 Must specify voltage.
- 16 Cannot be used in dimming applications, must use RRLC125
- 17 Not available with BPK, nPP16D, nPP16DER, nMSI, or nMSI360.
- 18 Daylight harvesting functionality not enabled by default. See page 9 for default sequence of operation.
- 19 Not available with 208V, 240V, or 480V.
- 20 Not available with HVOLT. When ordered with 347or 480V BPK option is required. Requires SPD option if ordered with MVOLT, 120, 208, 240, or 277V.
- 21 Not available with HA option.

# IBG LED High Bay

## DIMENSIONS

All dimensions are in inches (centimeters) unless otherwise indicated.  
Dimensions may vary with options or accessories.

Weight: (may vary with options or accessories)

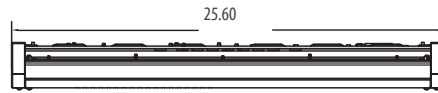
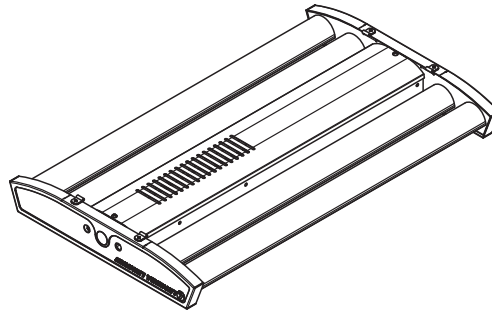
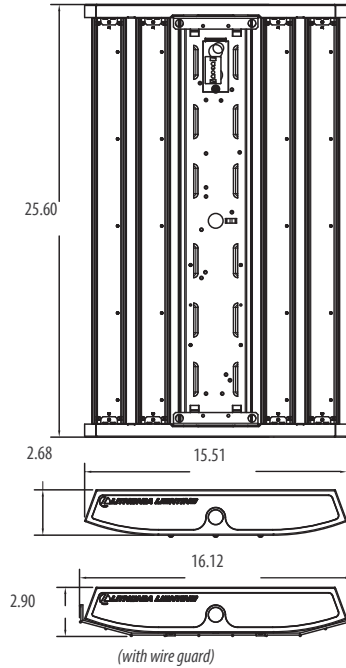
8L: 7.75 lbs (3.515Kg)

12L/15L: 10.5 lbs (4.762Kg)

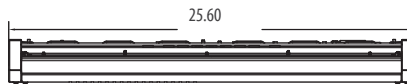
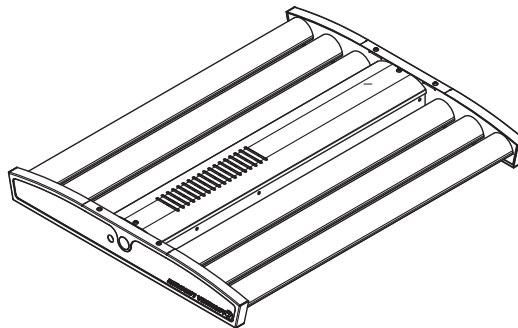
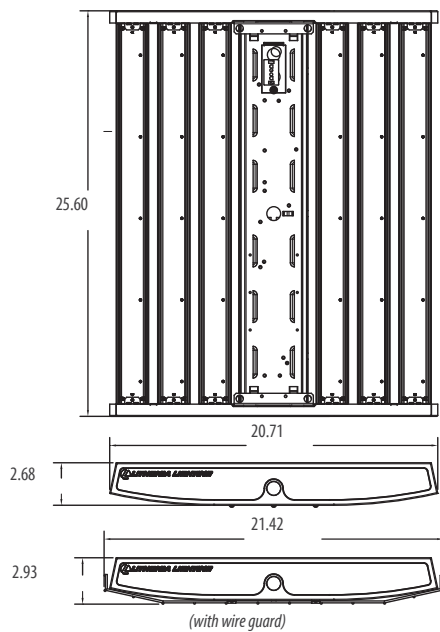
18L/24L/30L: 15.9 lbs (7.212Kg)

18L/24L/30L/36L: 4' Narrow - 16.25 lbs (7.370Kg)

36L/48L/60L: 4' - 6' Mod - 21.75 lbs (9.865Kg)



**IBG 12000LM 15000LM**



**IBG 18000LM 24000LM**

# IBG LED High Bay

## IBG OPERATIONAL DATA

Delivered lumens 4000K, 80CRI	Lumen package	Efficiency level	Lens/distribution			
			Acrylic frosted/ general	Clear acrylic/narrow	Clear acrylic/wide	Clear acrylic/focus
			8000LM	SEF	7594	7145
	HEF	7842	7378	7625	7604	
12000LM	SEF	11580	10895	11260	11228	
	HEF	11746	11051	11421	11390	
15000LM	SEF	14458	13603	14059	14019	
	HEF	14824	13947	14415	14374	
18000LM	SEF	17329	16303	16850	16803	
	HEF	17752	16702	17262	17214	
24000LM	SEF	23000	21639	22365	22303	
	HEF	23612	22215	22960	22896	
30000LM	SEF	27344	25727	26589	26515	
	HEF	29577	27827	28760	28680	
36000LM	SEF	33203	31239	34547	32197	
	HEF	35528	33426	34547	34450	
48000LM	SEF	45973	43253	44704	44579	
	HEF	47254	44458	45949	45821	
60000LM	SEF	55453	52172	53922	53771	
	HEF	57027	53653	55452	55298	

## IBG CHARACTERISTICS

Lumen package	Wattage								Length	Width	Depth	Comparable Light Source
	Standard efficiency				High efficiency							
	120V	277V	347V	480V	120V	277V	347V	480V				
8000LM	55	54	58	61	50	49	51	54	25.6	11.75	2.75	100W MH, 4-lamp T8 NBF
12000LM	79	77	77	76	70	69	68	67	25.6	15.52	2.75	175W MH, 4-lamp T8 HBF, 2-lamp T5HO
15000LM	97	95	97	96	87	86	86	86	25.6	15.52	2.75	200W MH, 6-lamp T8 NBF
18000LM	114	112	114	115	102	100	102	103	25.6	20.65	2.75	250W MH, 6-lamp T8 HBF, 4-lamp T5HO
24000LM	154	150	150	150	136	133	135	135	25.6	20.65	2.75	400W MH, 6-lamp T5HO
30000LM	193	186	188	188	176	171	173	173	25.6	20.65	2.75	575W MH, 10-lamp T8 HBF
36000LM	225	221	227	229	200	197	203	206	47.29	20.65	2.75	750W MH, 8-lamp T5HO
48000LM	301	293	301	302	267	261	269	270	47.29	20.65	2.75	875W MH, 10-lamp T5HO
60000LM	385	374	378	377	332	323	330	330	47.29	20.65	2.75	1000W MH

Dimensions are shown in inches (centimeters) unless otherwise noted.

# IBG LED High Bay

---

## PROJECTED LUMEN MAINTENANCE

IBG 2ft & 4ft						
Operating hours	0	15,000	30,000	45,000	60,000	100,000
Lumen maintenance factor	1	0.97	0.95	0.93	0.91	0.86

## AMBIENT TEMPERATURE RATINGS

Mounting	Suspended	Surface
Standard temperature rating	113°F (45°C)	95°F (35°C)
HA option temperature rating	131°F (55°C)	113°F (45°C)

## LUMENS VS. AMBIENT TEMPERATURE

Ambient °C	Ambient °F	Lumen Multiplier
0	32	1.04
5	41	1.03
10	50	1.02
20	68	1.01
25	77	1.00
30	86	0.99
35	95	0.99
40	104	0.98
45	113	0.97
50	122	0.96
55	131	0.96

---